

## Rebar Placement

The placement of rebar is **critical** for the smooth installation of Omni Block. If a poured concrete stem is utilized, the concrete subcontractor must adhere to the following rebar placement schedules or an engineered supplied shop drawing. There are only four (4) options:

- 1) Standard.
- 2) Window openings less than 6 feet wide.
- 3) Window openings 6 feet or greater.
- 4) All door openings.

Figure 3

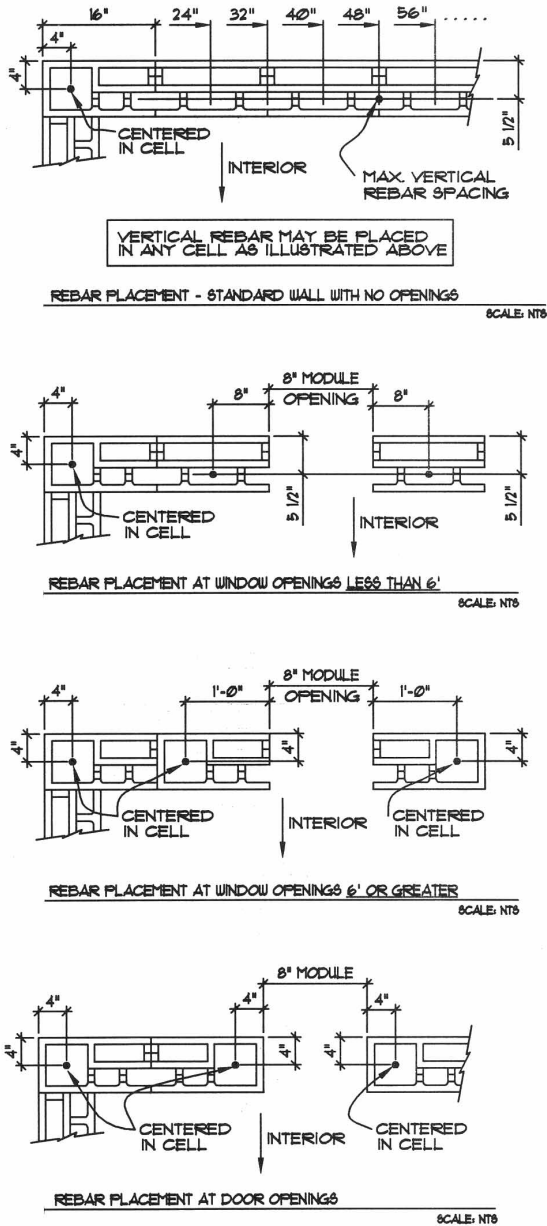
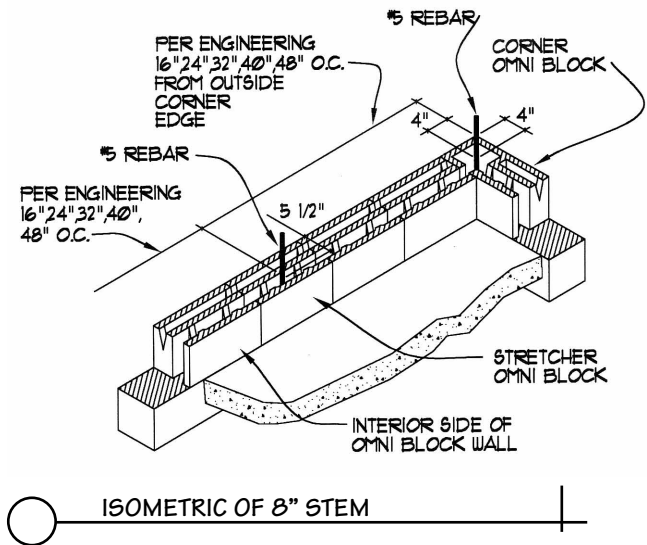
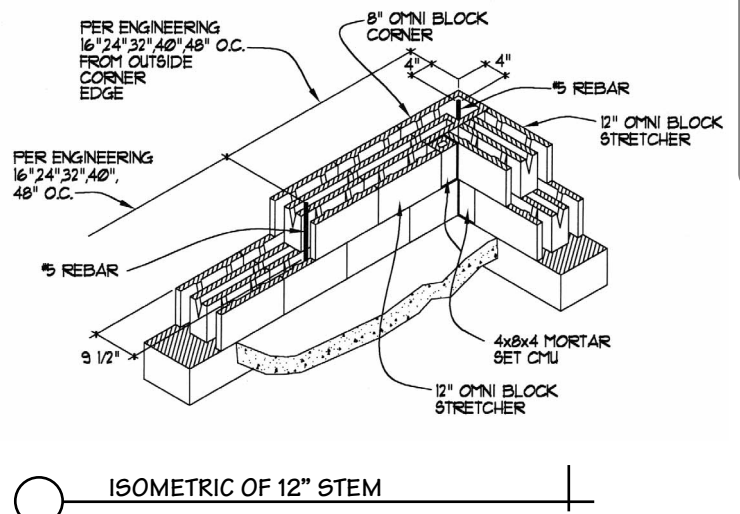


Figure 4



ISOMETRIC OF 8" STEM

Figure 5



ISOMETRIC OF 12" STEM

## Builder's Checklist

- Rebar sizing communicated to concrete sub.
- Remind concrete sub that stem wall is 8".
- Review rebar placement and its importance.
- If block stem is utilized, indicate to mason where grout voids are to occur (see Plumbing and Electrical sections).

## OMNI BLOCK REBAR PLACEMENT OPTIONS