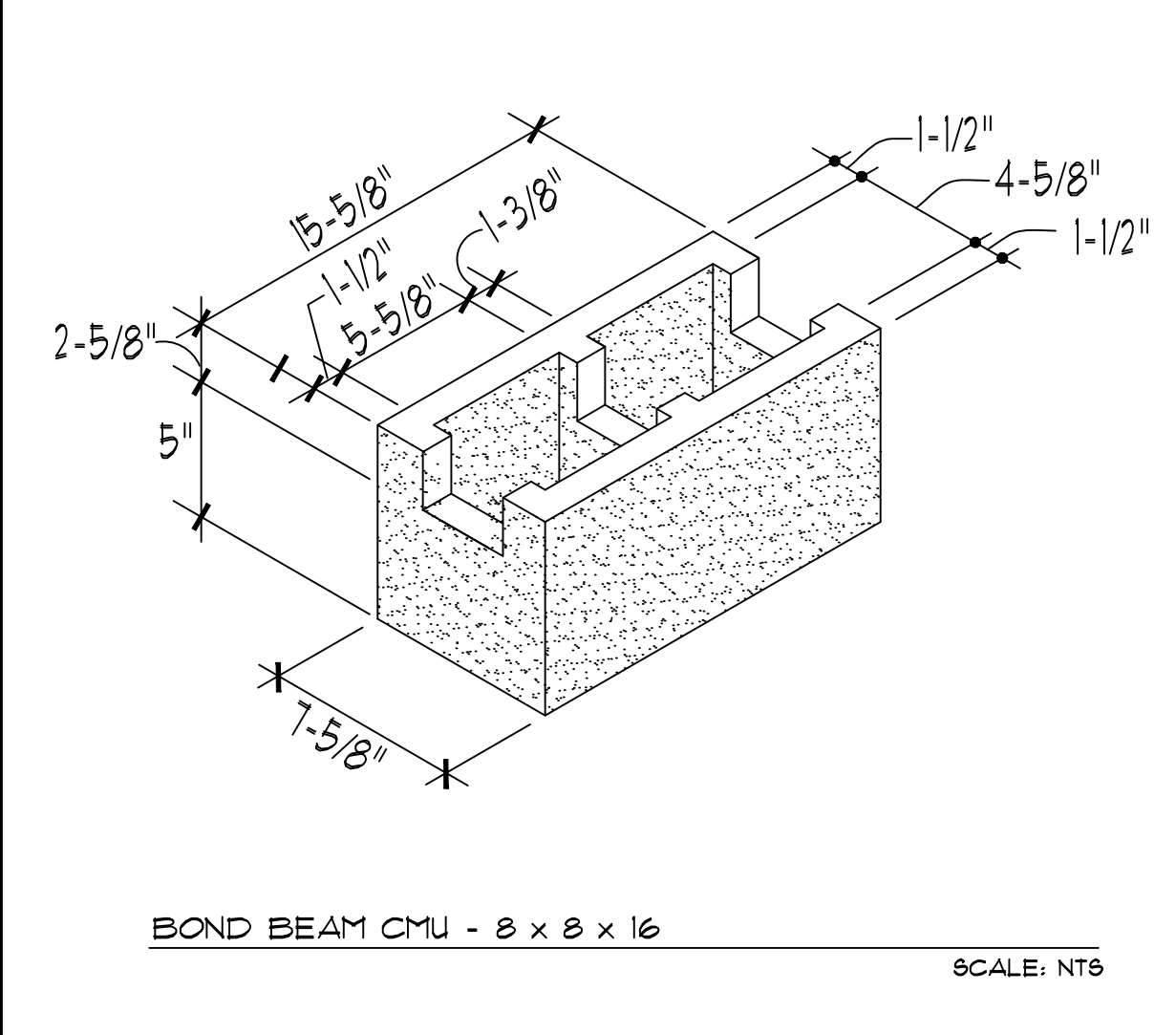
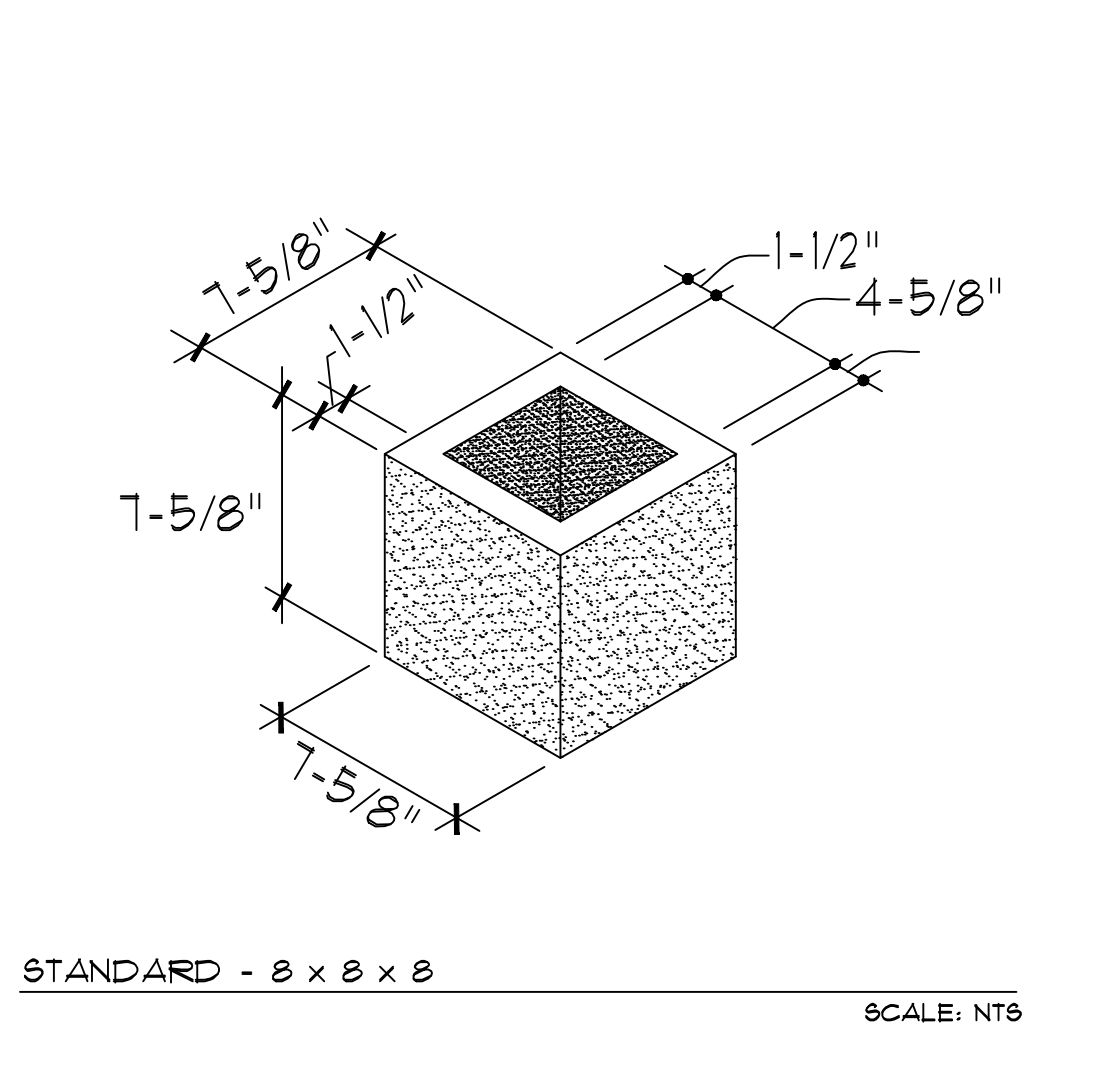
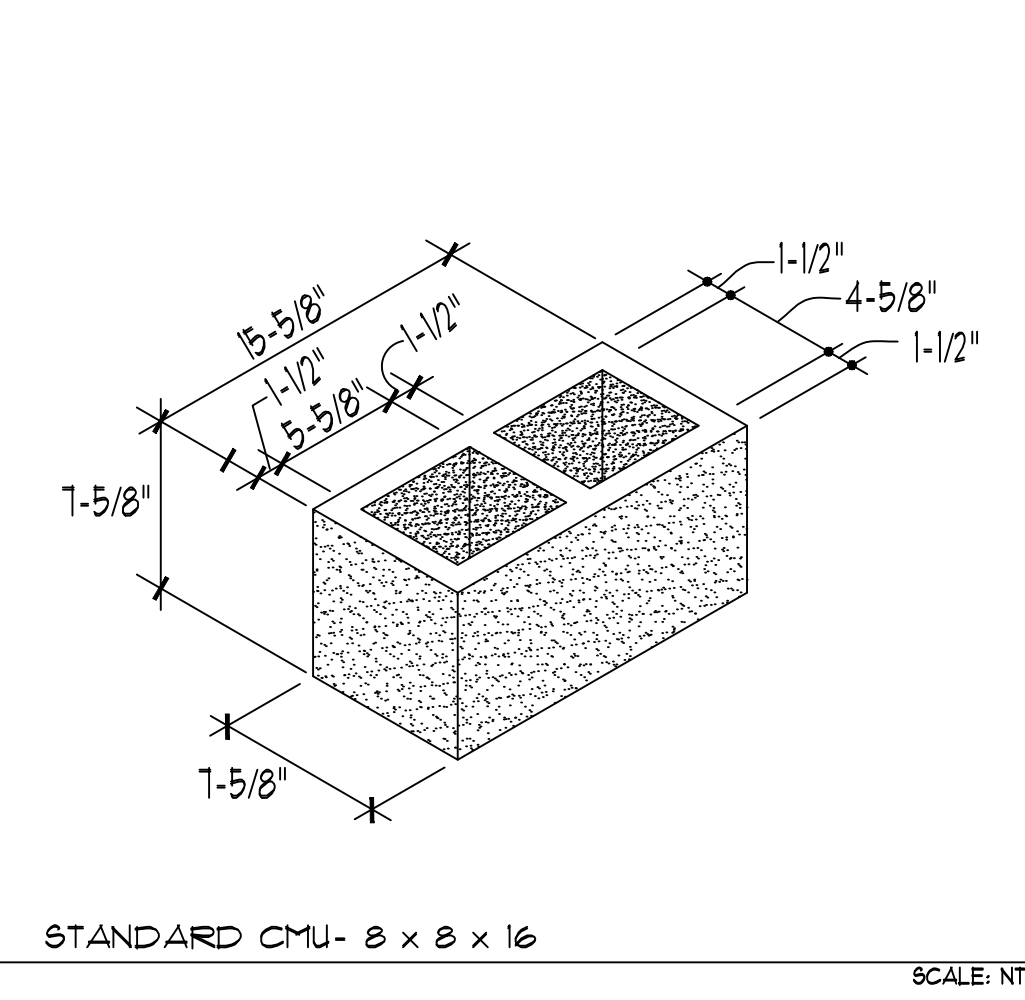
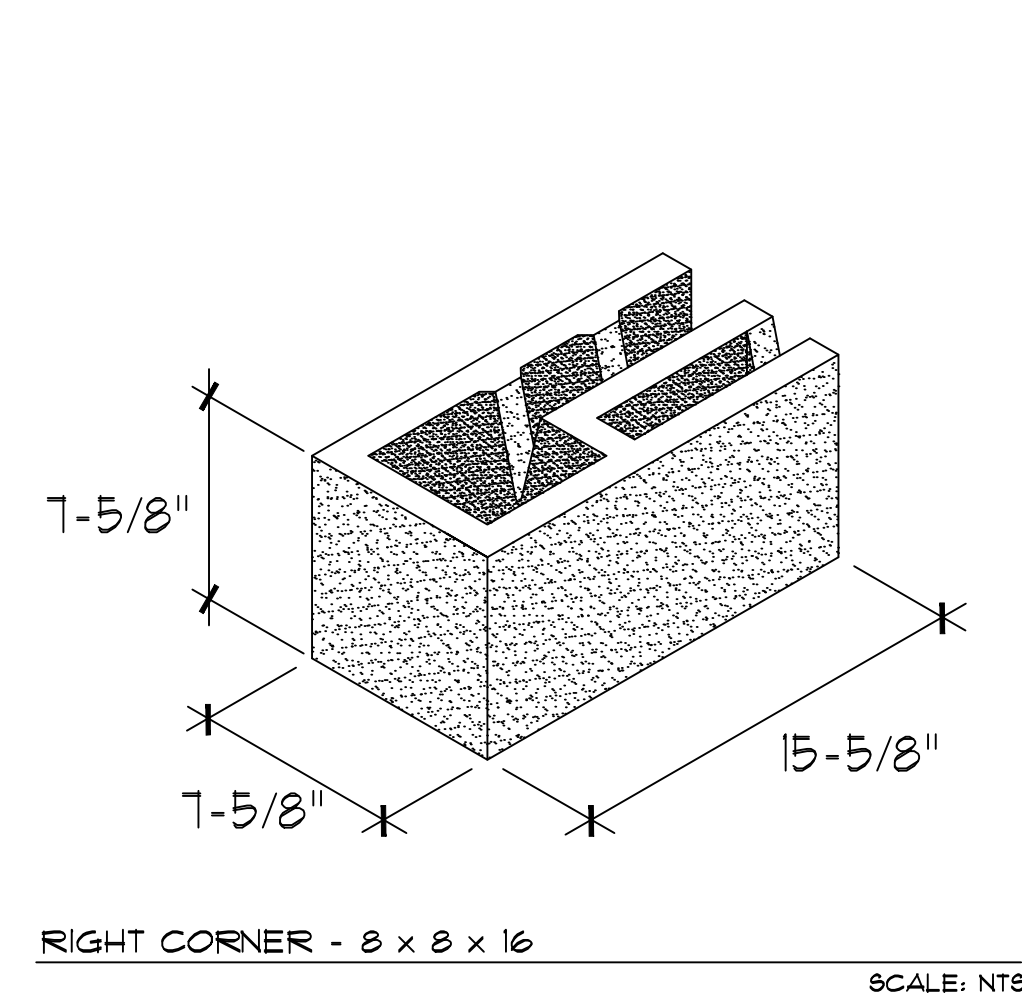
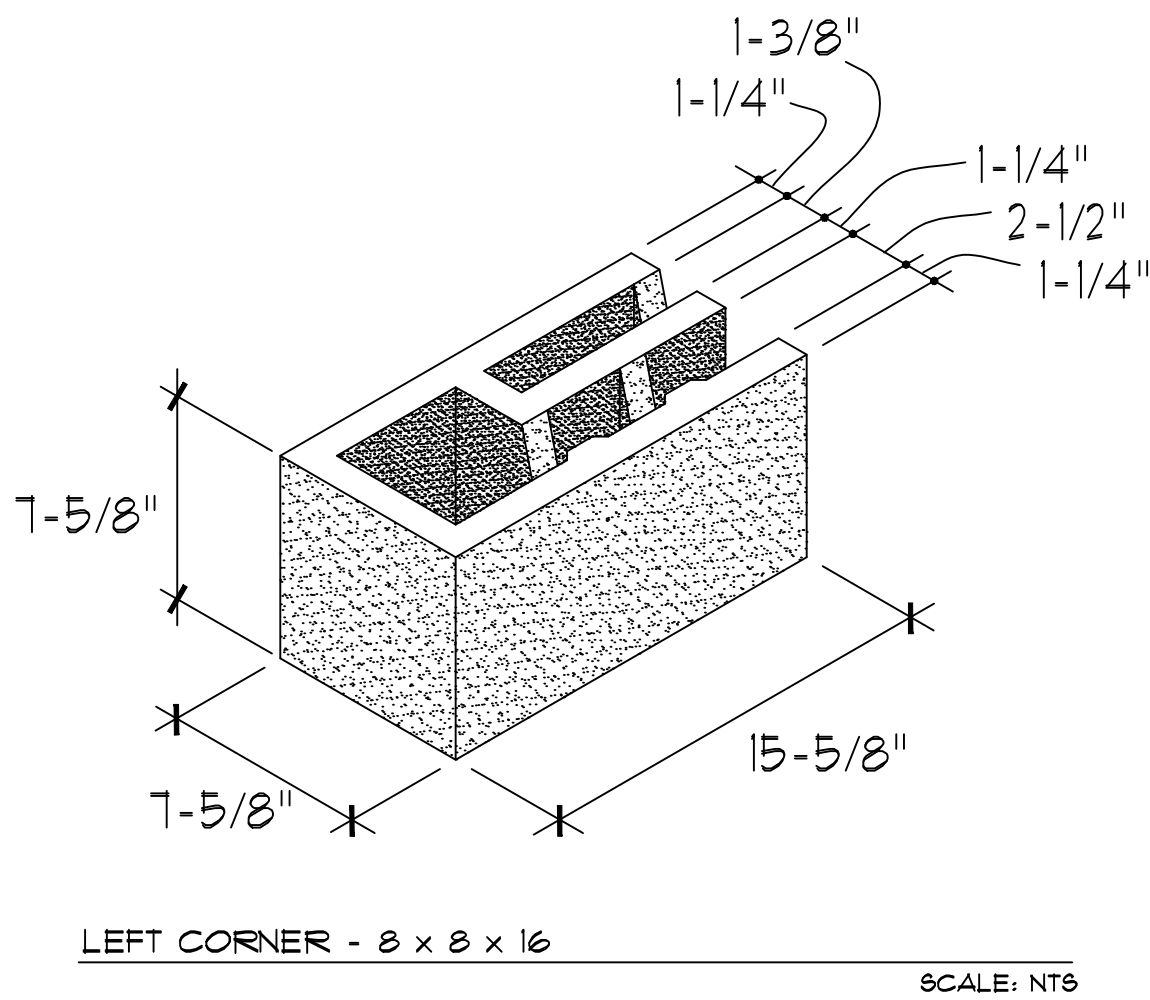
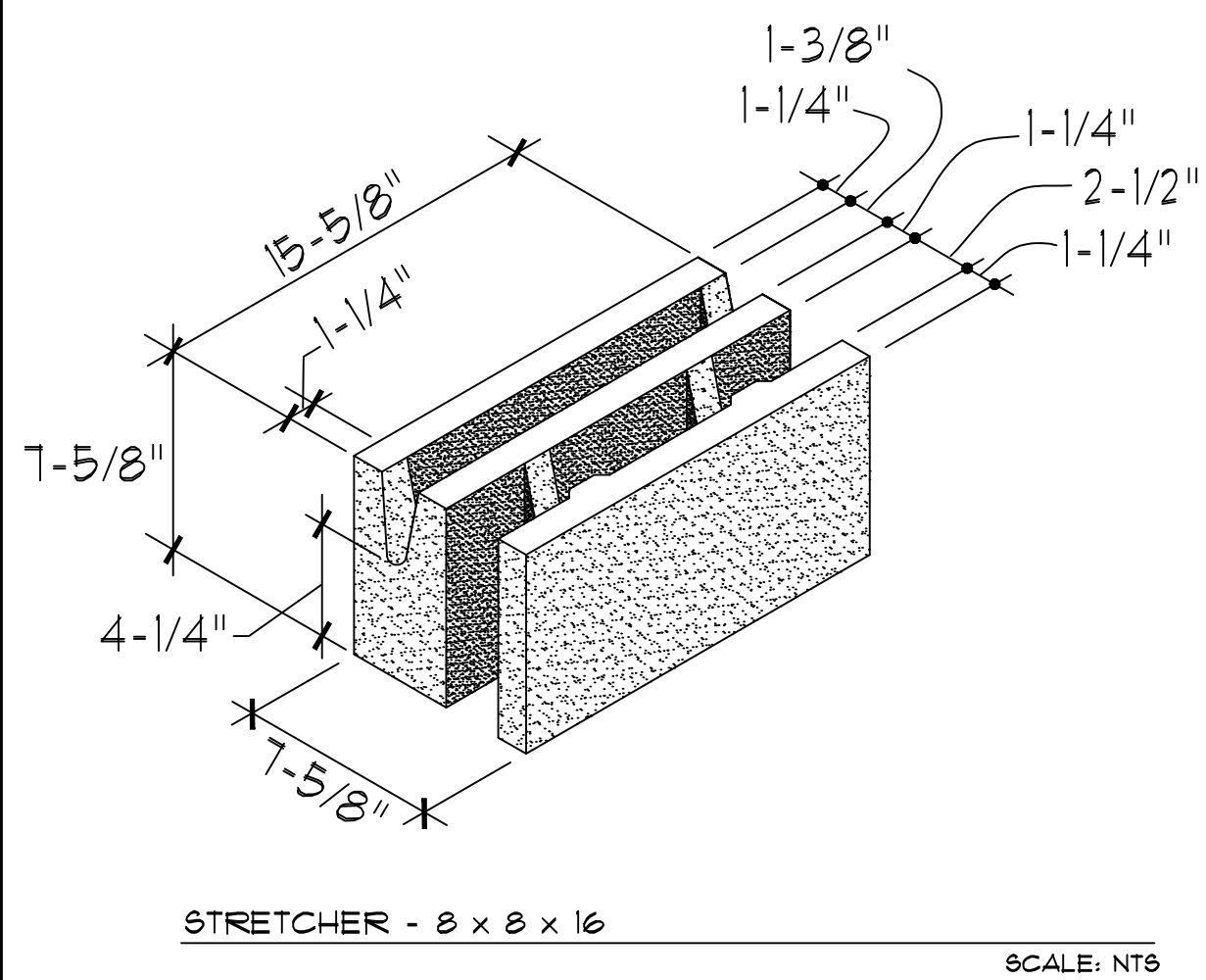
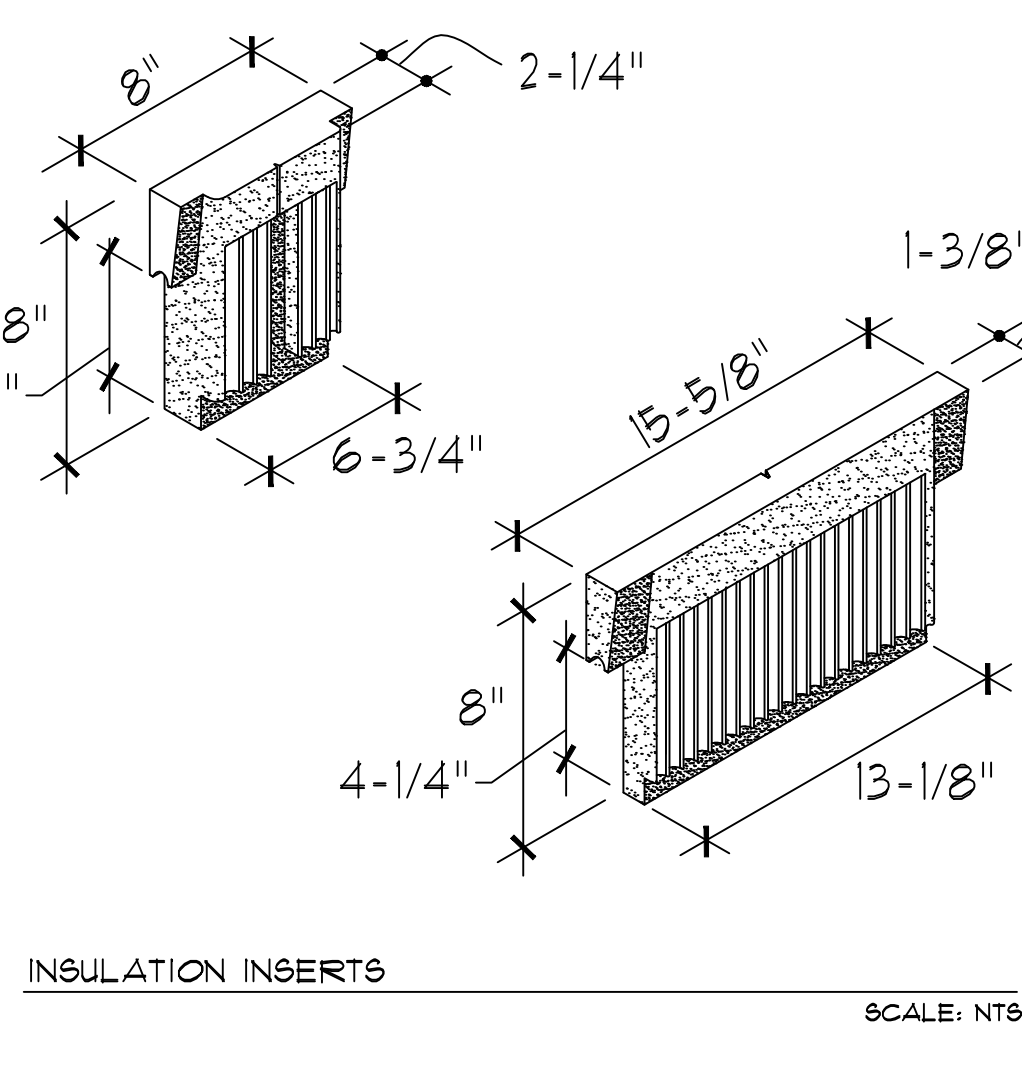


**GENERAL NOTES:**

1. OMNI BLOCK IS INSTALLED EXACTLY AS STANDARD CMU.
2. STANDARD REBAR AND GROUT IS USED PER ENGINEERING.
3. ALL CURRENT BUILDING DIMENSIONS REMAIN THE SAME.
4. OMNI BLOCK IS A SINGLE-WYTHE WALL ASSEMBLY AND REQUIRES NO INTERIOR FURRING, INSULATION AND DRYWALL.
5. OMNI BLOCK MAY ALSO BE USED AS A SINGLE-WYTHE MULTILAYERED MULTI-MATERIAL WALL AND AS A BACK-UP IN A CAVITY WALL.
6. OMNI BLOCK CAN BE LEFT EXPOSED OR A DRYWALL APPEARANCE BY APPLYING A SKIM-COAT OF DRYWALL COMPOUND, THEN A MATCHING TEXTURE COAT, PRIME AND PAINT.



- BLOCK COMPONENT NOTES:**
1. ALL BLOCK MEETS ASTM C-90 AND C-140.
  2. ALL BLOCK IS MANUFACTURED LOCALLY BY \_\_\_\_\_.
  3. THERE ARE 3 UNIQUE BLOCK MODELS AND INTEGRATES STANDARD CMU INTO THE FINAL WALL ASSEMBLY PER STRUCTURAL ENGINEERING.
  4. ALL OVERALL DIMENSIONS ARE THE SAME AS STANDARD CMU.
  5. CORNER BLOCK ARE ALSO USED AT ALL JAMBS.

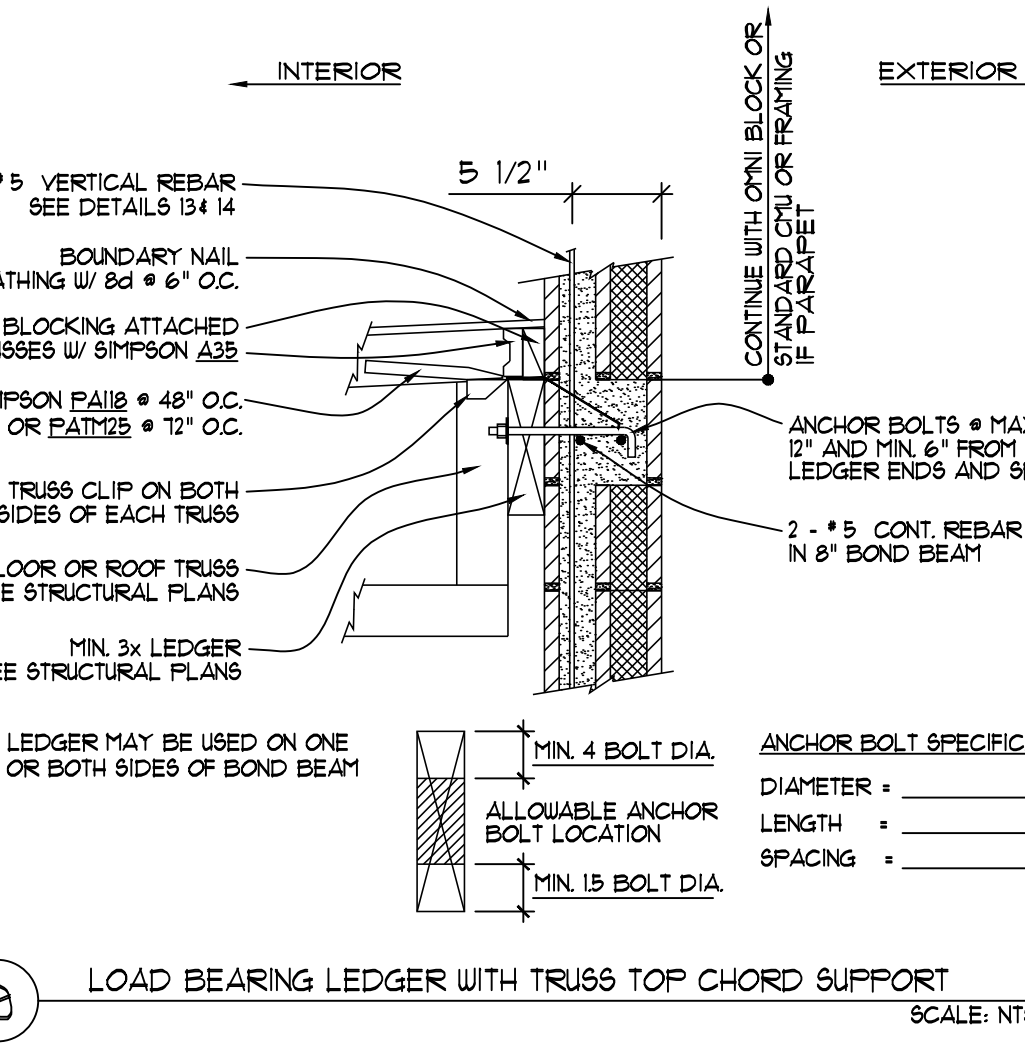
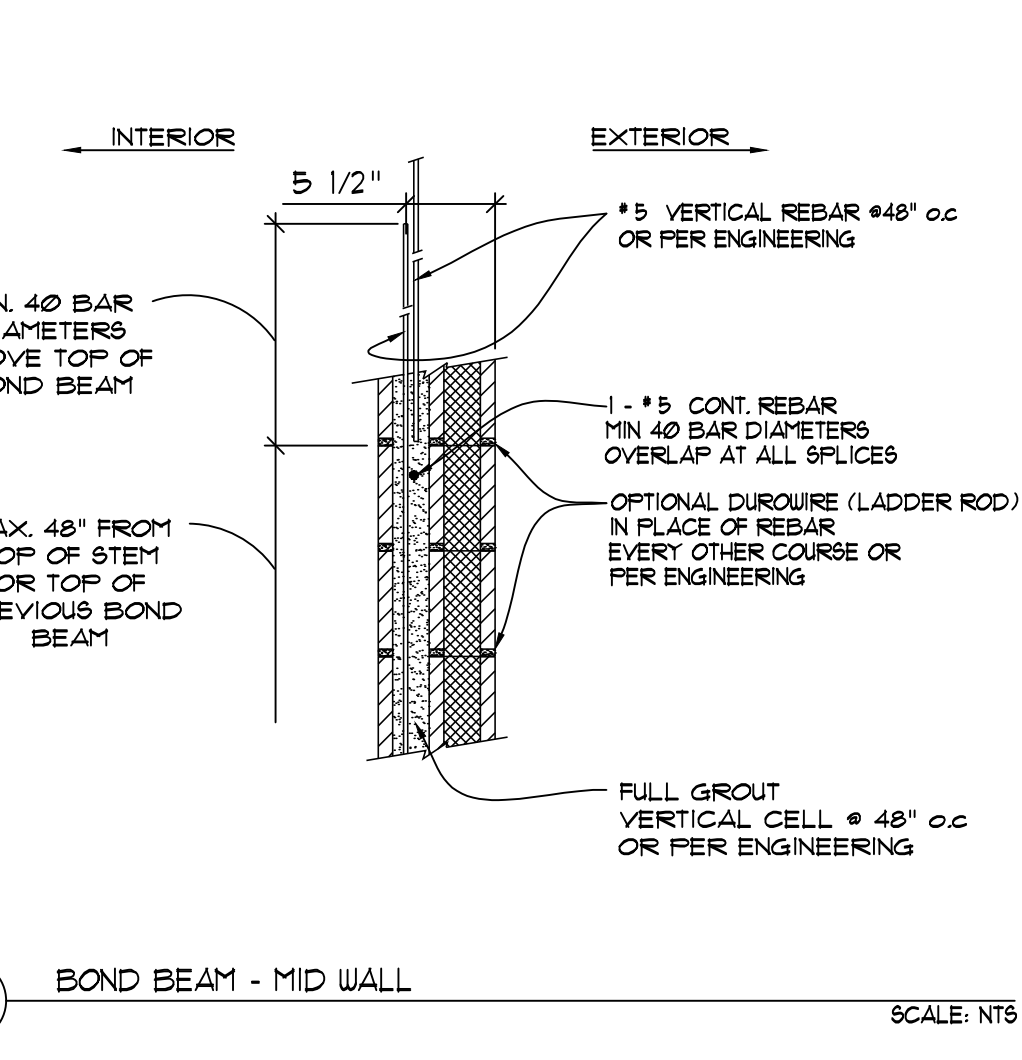
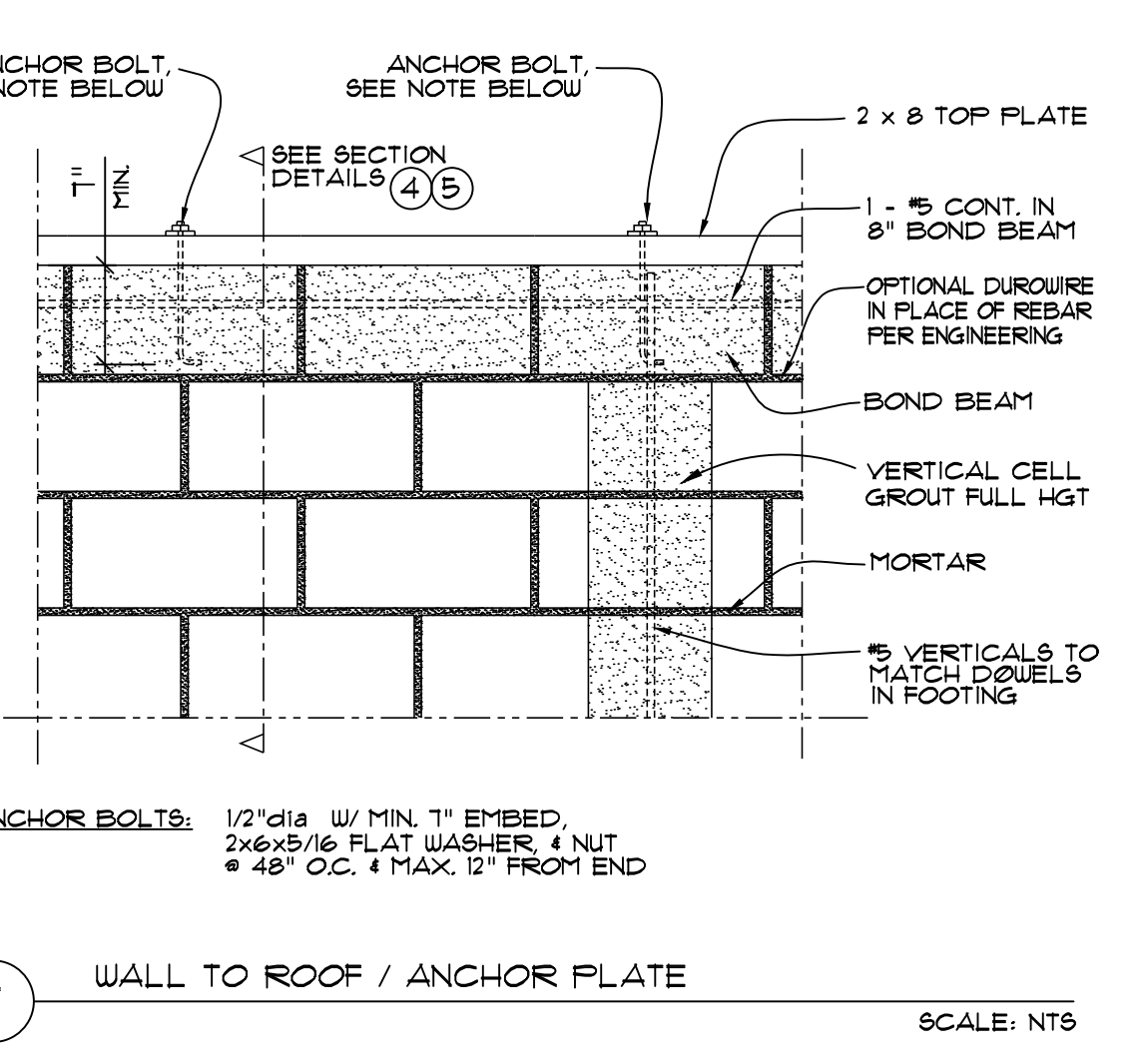
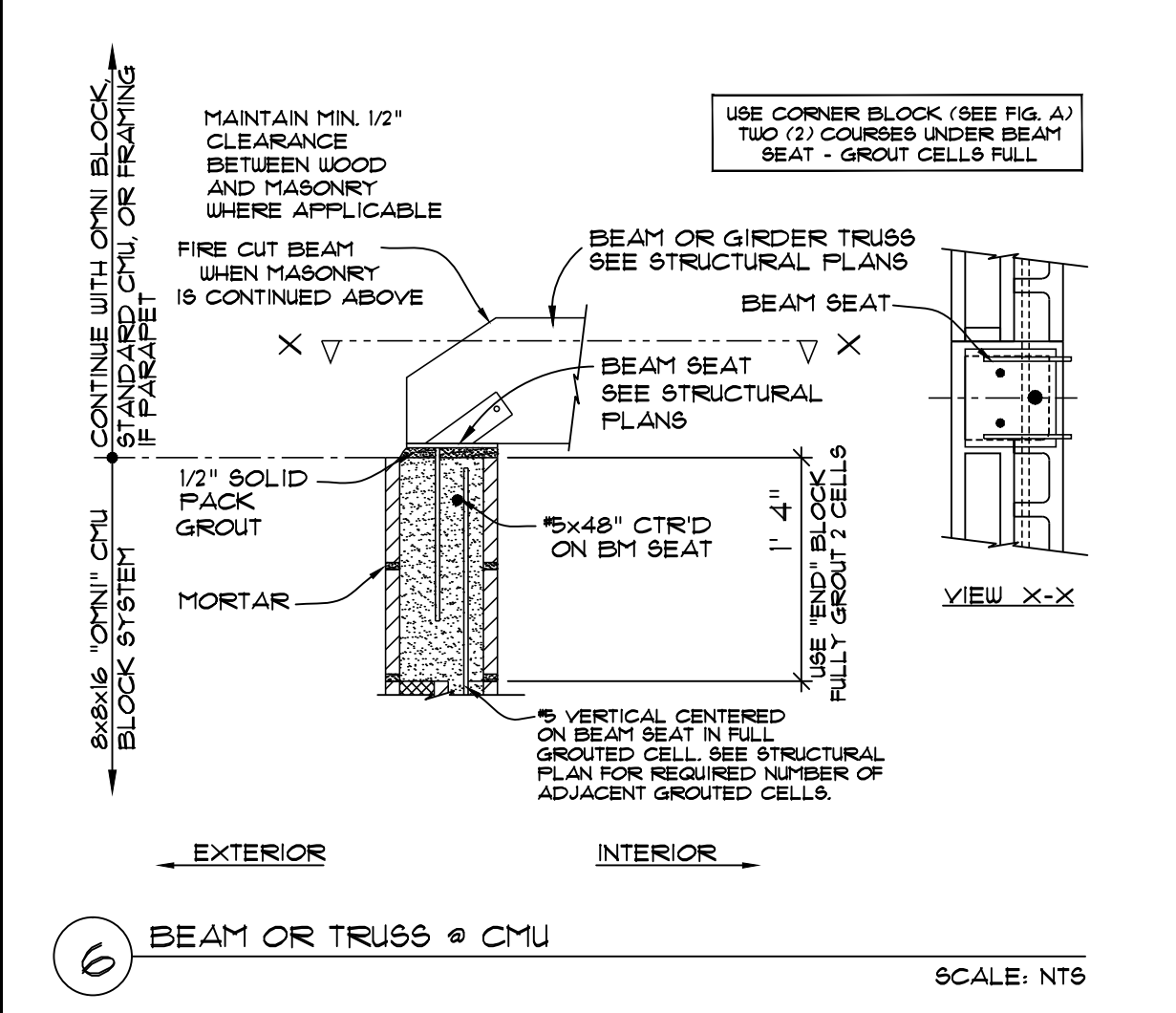
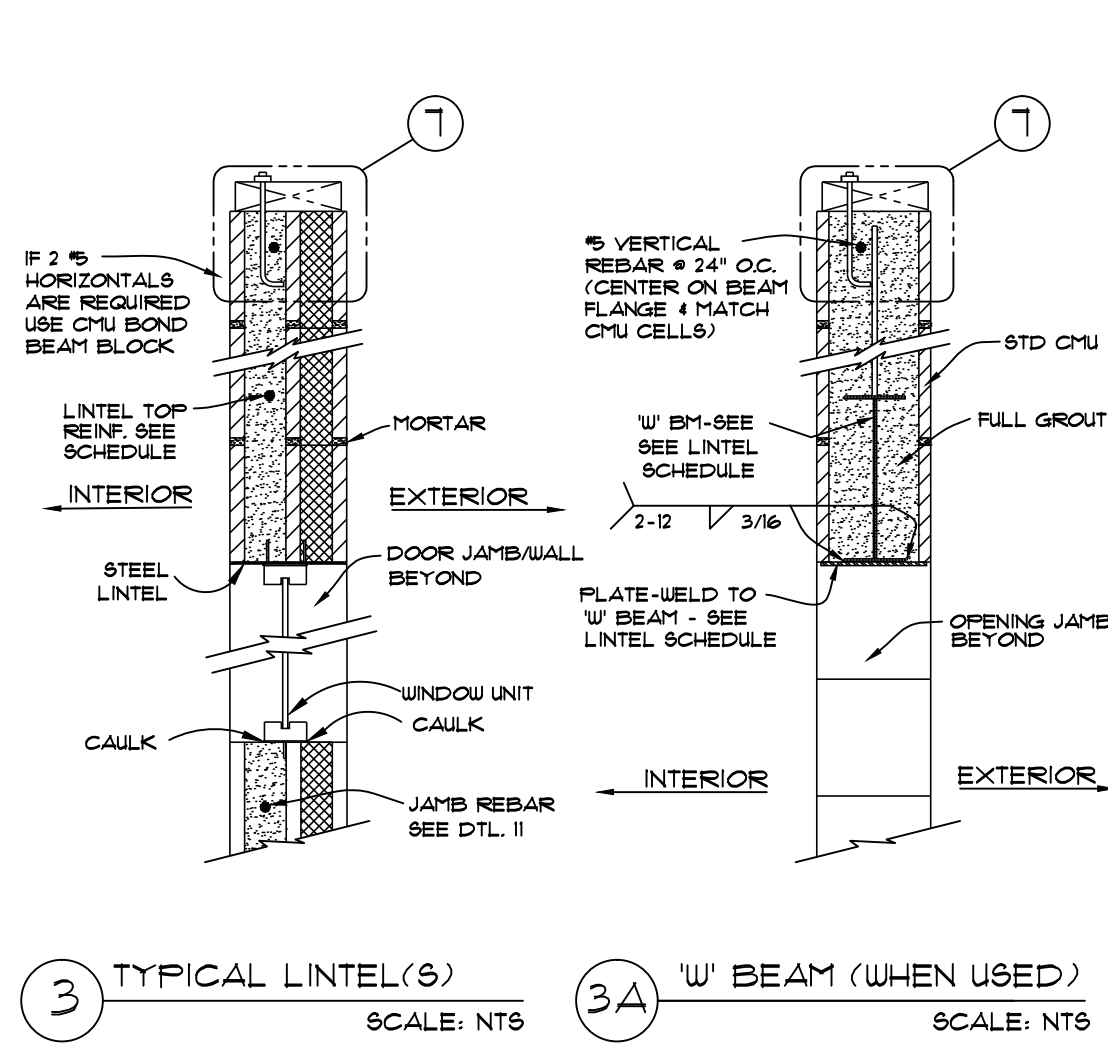
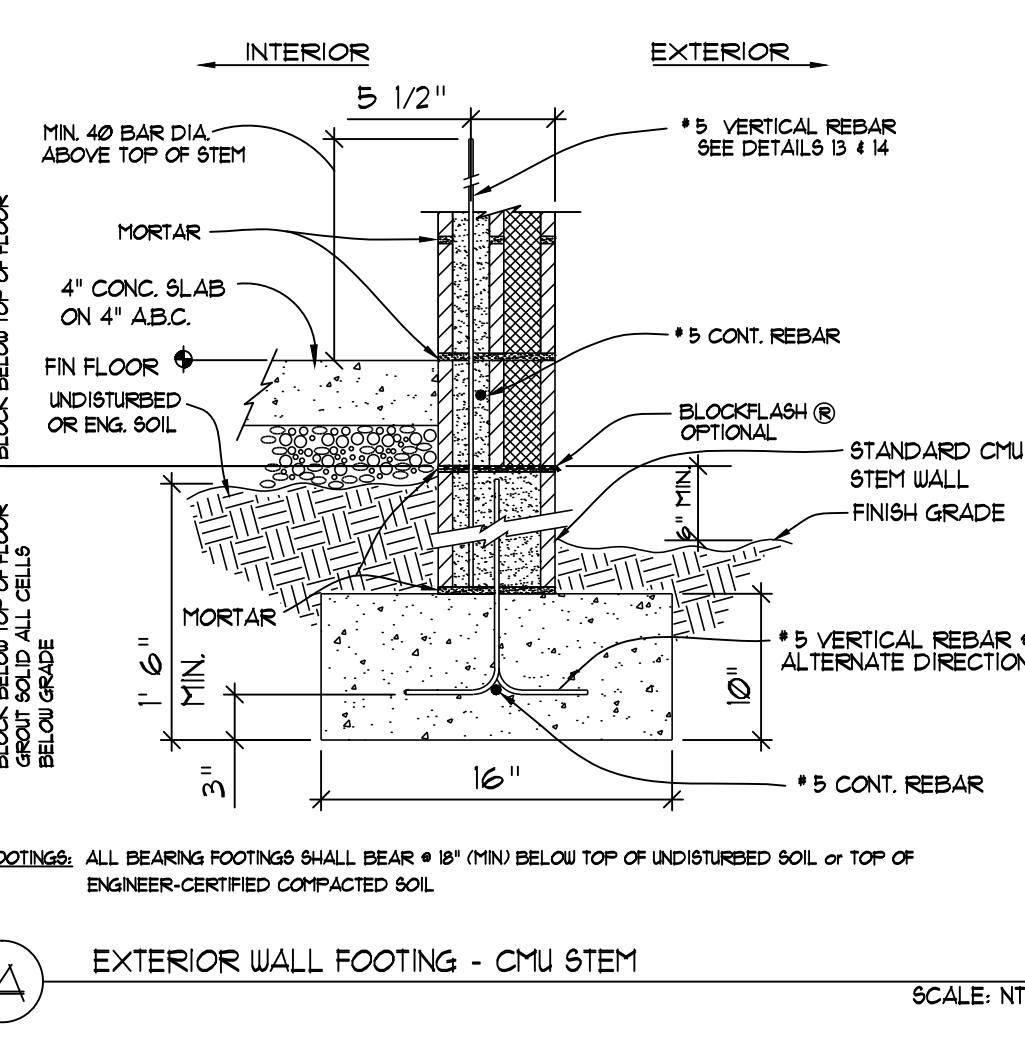
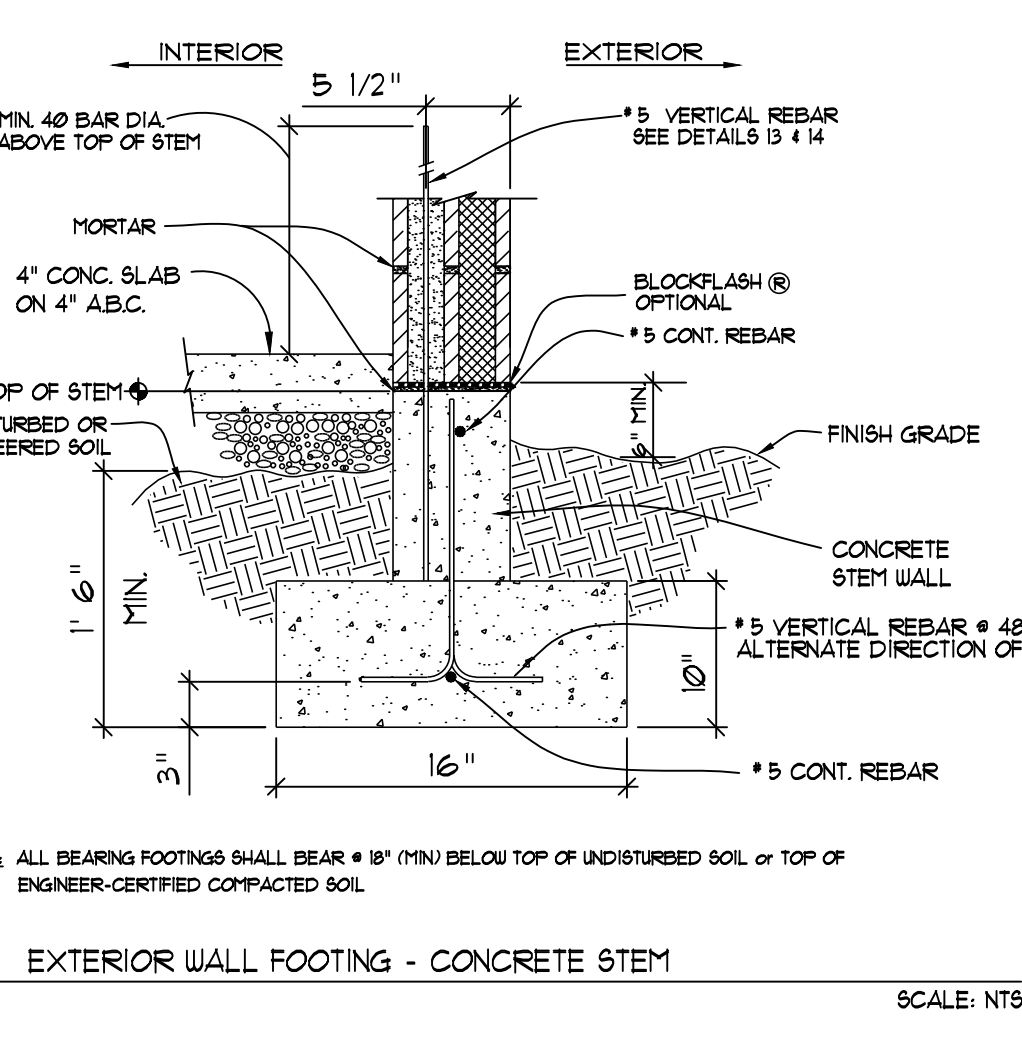


- EPS INSERT COMPONENT NOTES:**
1. THERE ARE TWO MODELS OF INSERTS THAT EASILY SLIDE INTO PROPER BLOCK CAVITIES.
  2. INSERTS ARE 1.3 LB DENSITY.
  3. BOTH MODELS MEET ASTM CRITERIA FOR THIS TYPE OF INSULATION.
  4. INSERTS ARE UNIFORMLY PACKAGED INTO 100 CT BAGS THAT WEIGH APPROXIMATELY 10 LBS. EACH.
  5. INSERTS THERMALLY PROTECT THE VERTICAL AND HORIZONTAL MORTAR JOINTS.

- TECHNICAL SUPPORT:**
1. 811-111-6664
  2. WWW.OMNIBLOCK.COM
  3. EMAIL QUESTIONS TO: DMILLER@OMNIBLOCK.COM

- ESTIMATING SUPPORT:**
1. BLOCK PRICING: CINDRLITE BLOCK - CORY 702-232-9629
  2. INSERT PRICING: OMNI BLOCK - 811-111-6664
  3. REQUEST OMNI BLOCK PROJECT ESTIMATING SOFTWARE IN EXCEL - INFO@OMNIBLOCK.COM. SOFTWARE COMES WITH EASY-TO-USE TUTORIAL.

- STANDARD DETAILS:**
1. THE FOLLOWING DETAILS ARE FROM THE OMNI BLOCK LIBRARY AVAILABLE AT WWW.OMNIBLOCK.COM/SUPPORT/
  2. ALL DETAILS ARE AVAILABLE IN PDF AND DWG FILE FORMATS.
  3. ALL DETAILS MAY BE MODIFIED PER ENGINEERING OR ARCHITECTURAL DESIGN REQUIREMENTS.
  4. FLASHING IS RECOMMENDED (SEE DETAIL 1 & 1A)



**Omni Block**  
AN INSULATED CONCRETE BLOCK

WWW.OMNIBLOCK.COM  
5940 S. Rainbow Blvd #1003, Las Vegas, NV 89118  
Toll Free: (811) 111-OMNI (6664)  
info@omniblock.com

OMNI BLOCK - 8"  
ALTERNATE TO STANDARD CMU  
DETAILS AND SCHEMATICS  
V.11

REVISIONS:	BY:

BY: JR  
CHECKED BY: DRM  
DATE: 3/1/2011  
FILE: ALT-001  
**SHEET**  
ALT 2.1