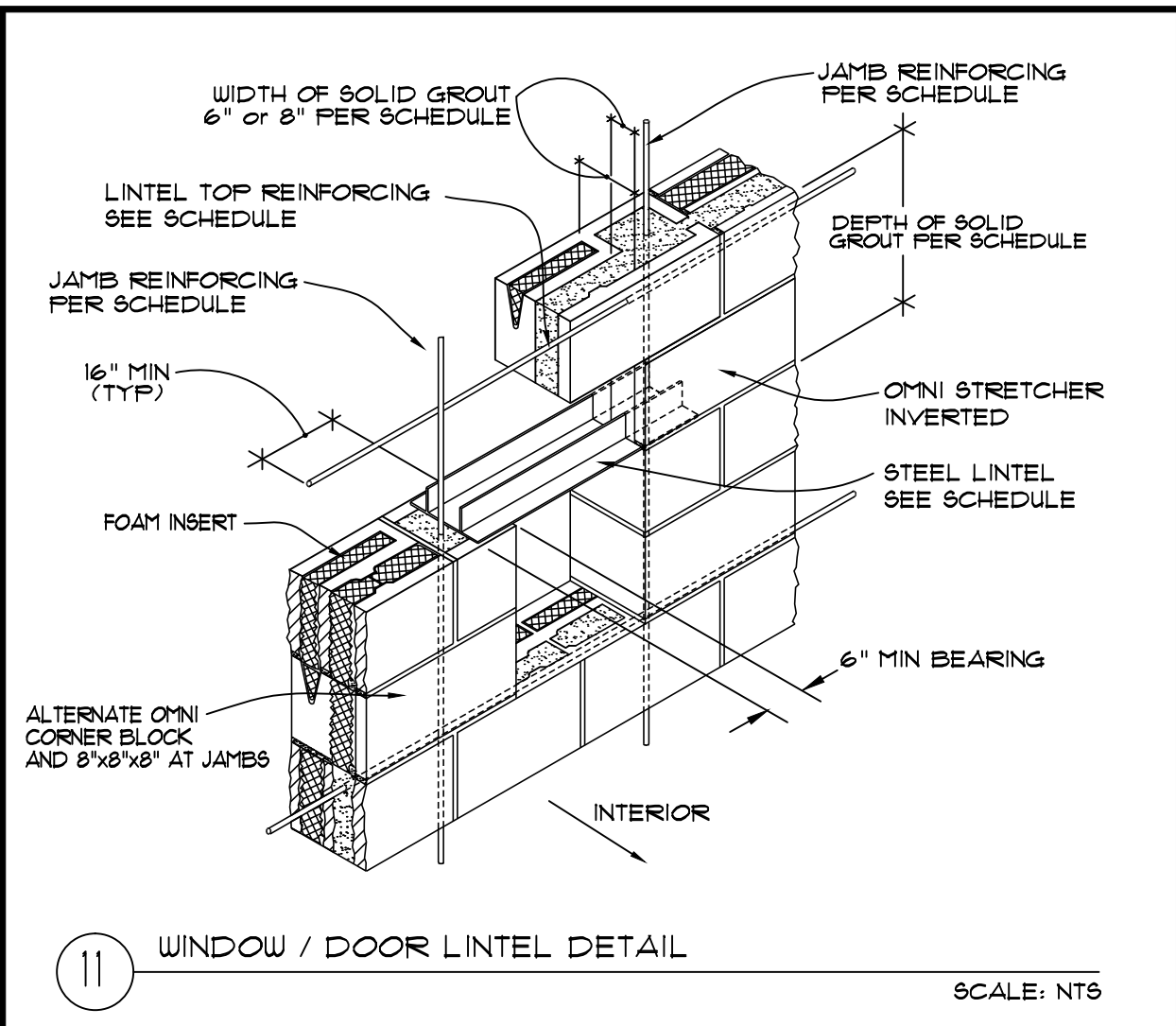
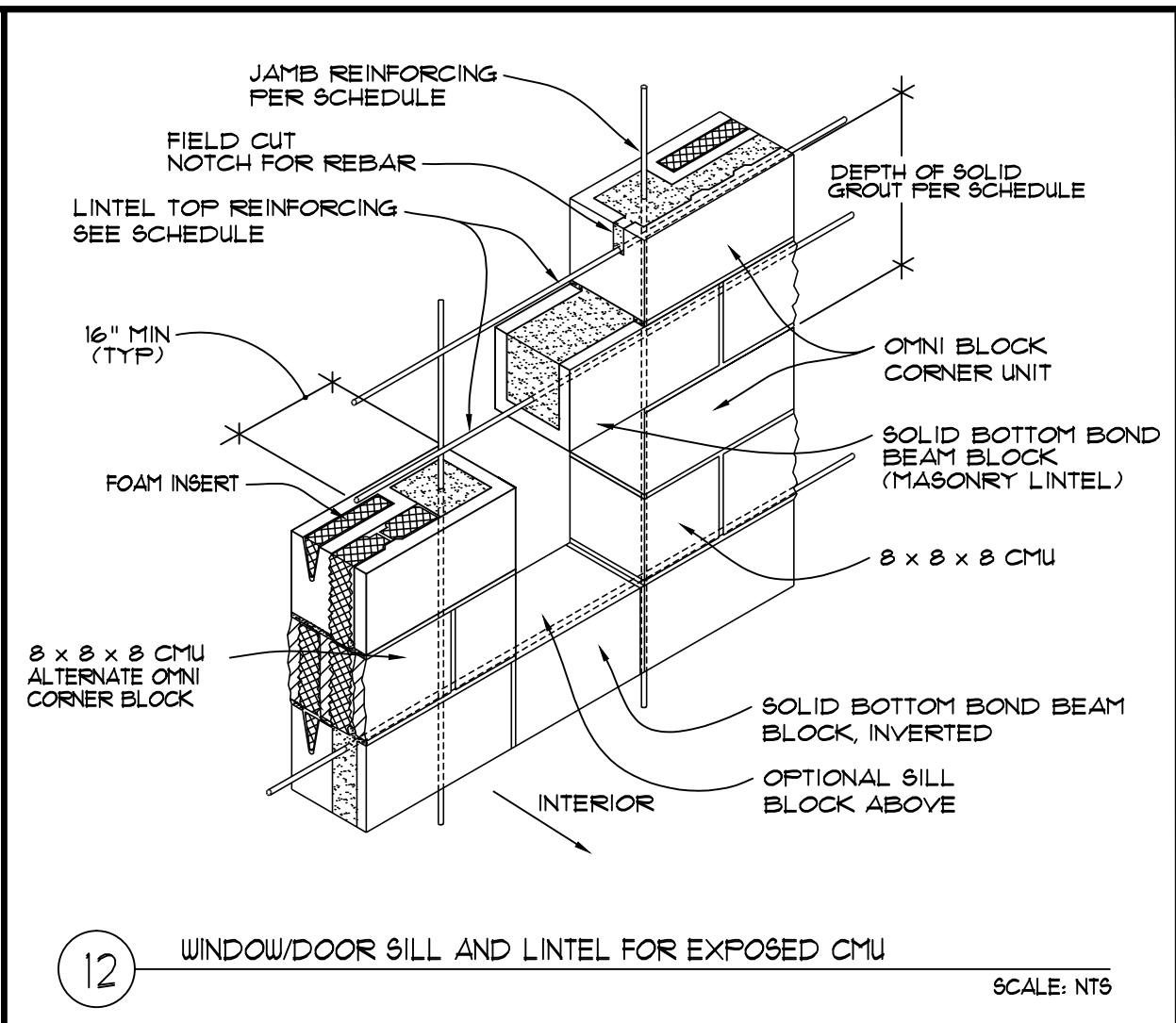


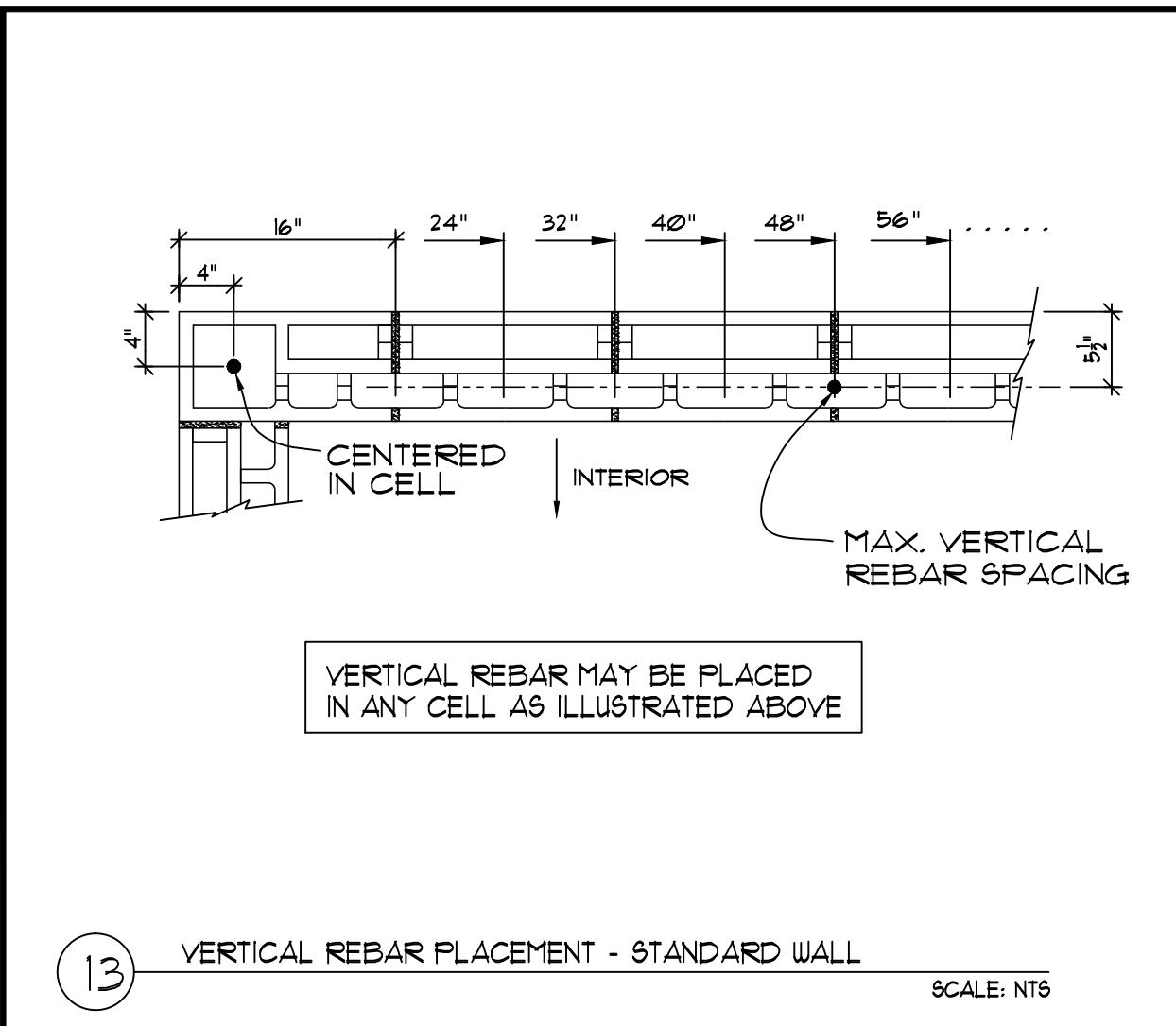
10 LOAD BEARING LEDGER WITH JOIST HANGER SCALE: NT5



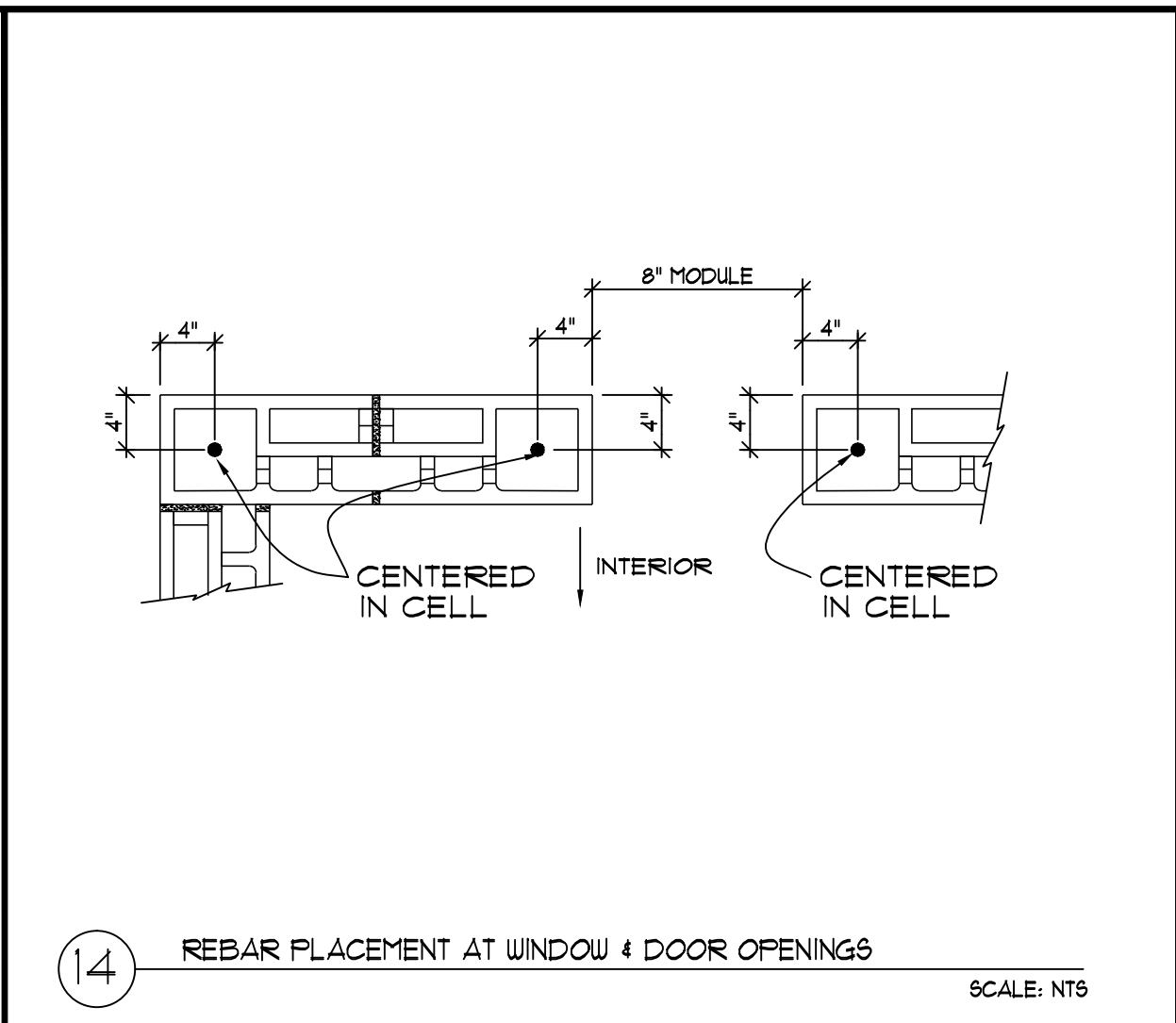
11 WINDOW / DOOR LINTEL DETAIL SCALE: NT5



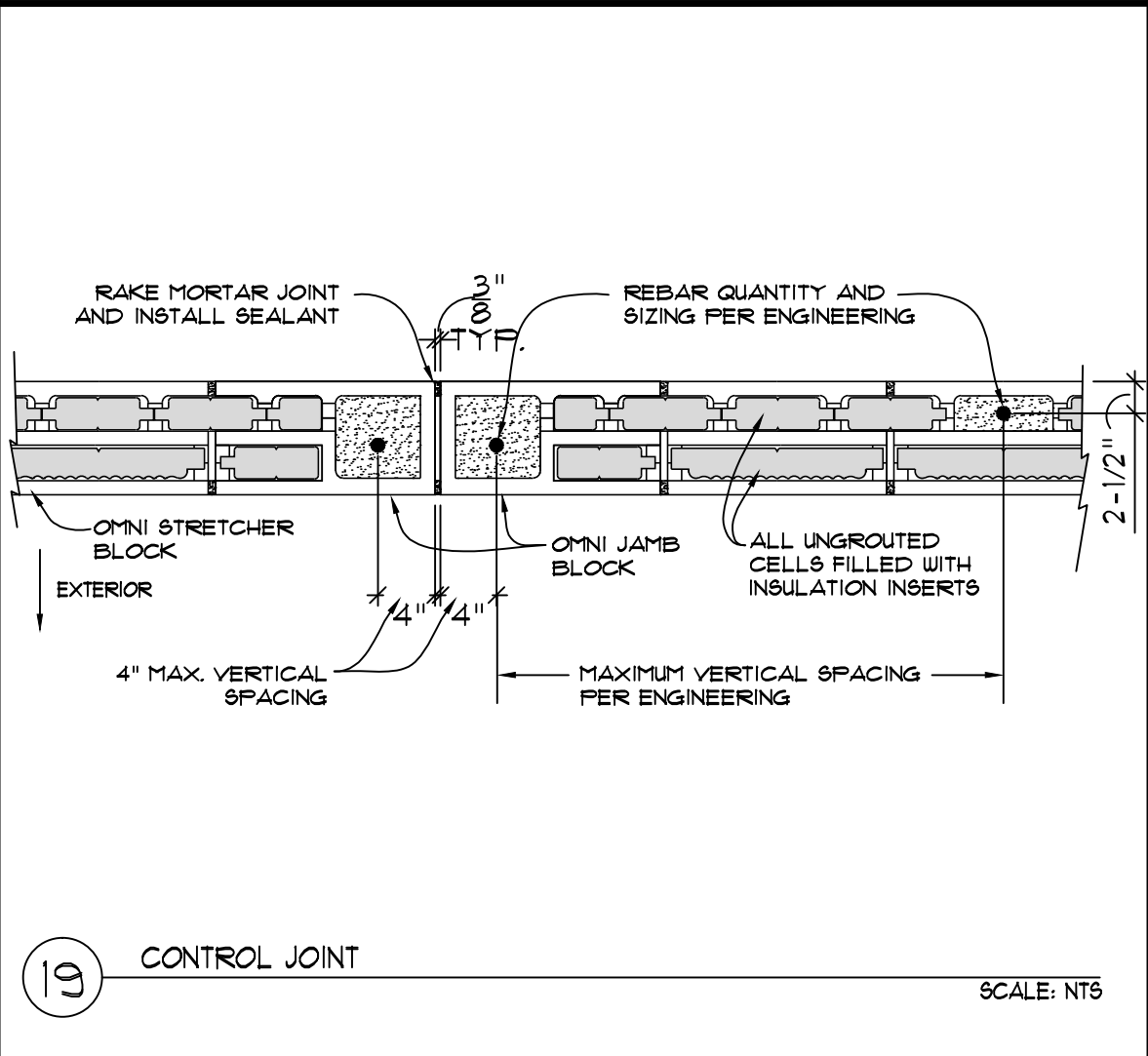
12 WINDOW/DOOR SILL AND LINTEL FOR EXPOSED CMU SCALE: NT5



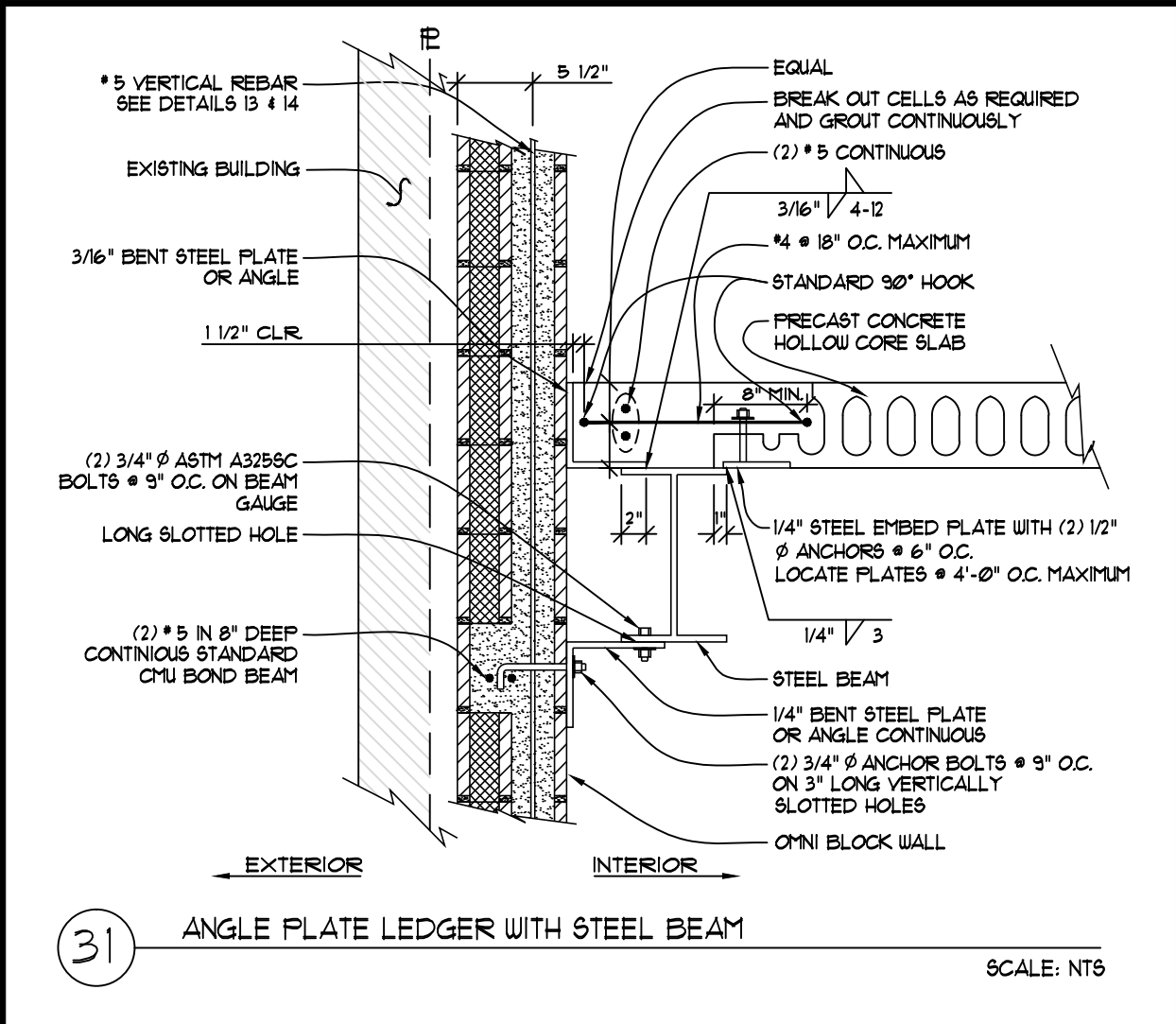
13 VERTICAL REBAR PLACEMENT - STANDARD WALL SCALE: NT5



14 REBAR PLACEMENT AT WINDOW & DOOR OPENINGS SCALE: NT5



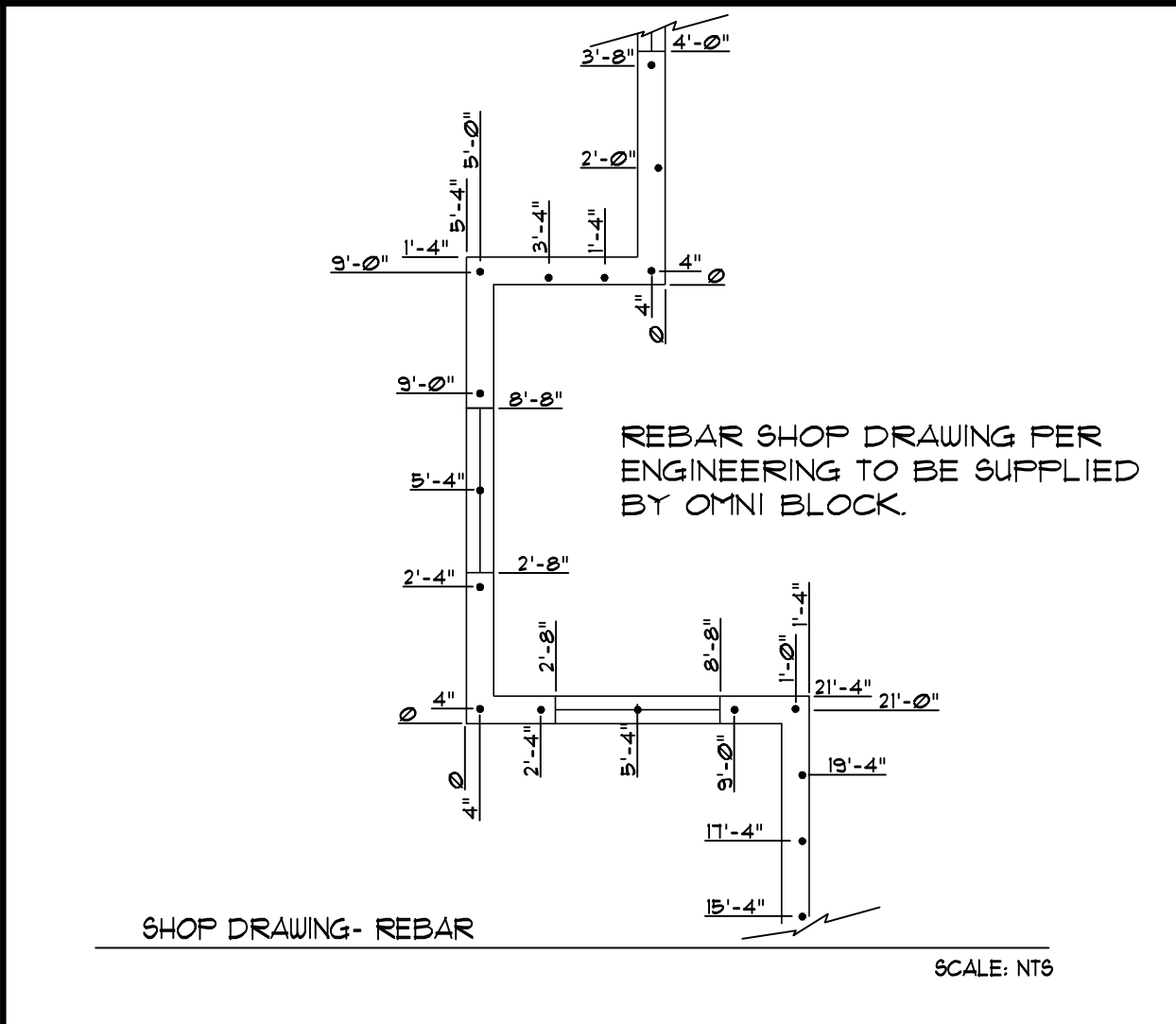
19 CONTROL JOINT SCALE: NT5



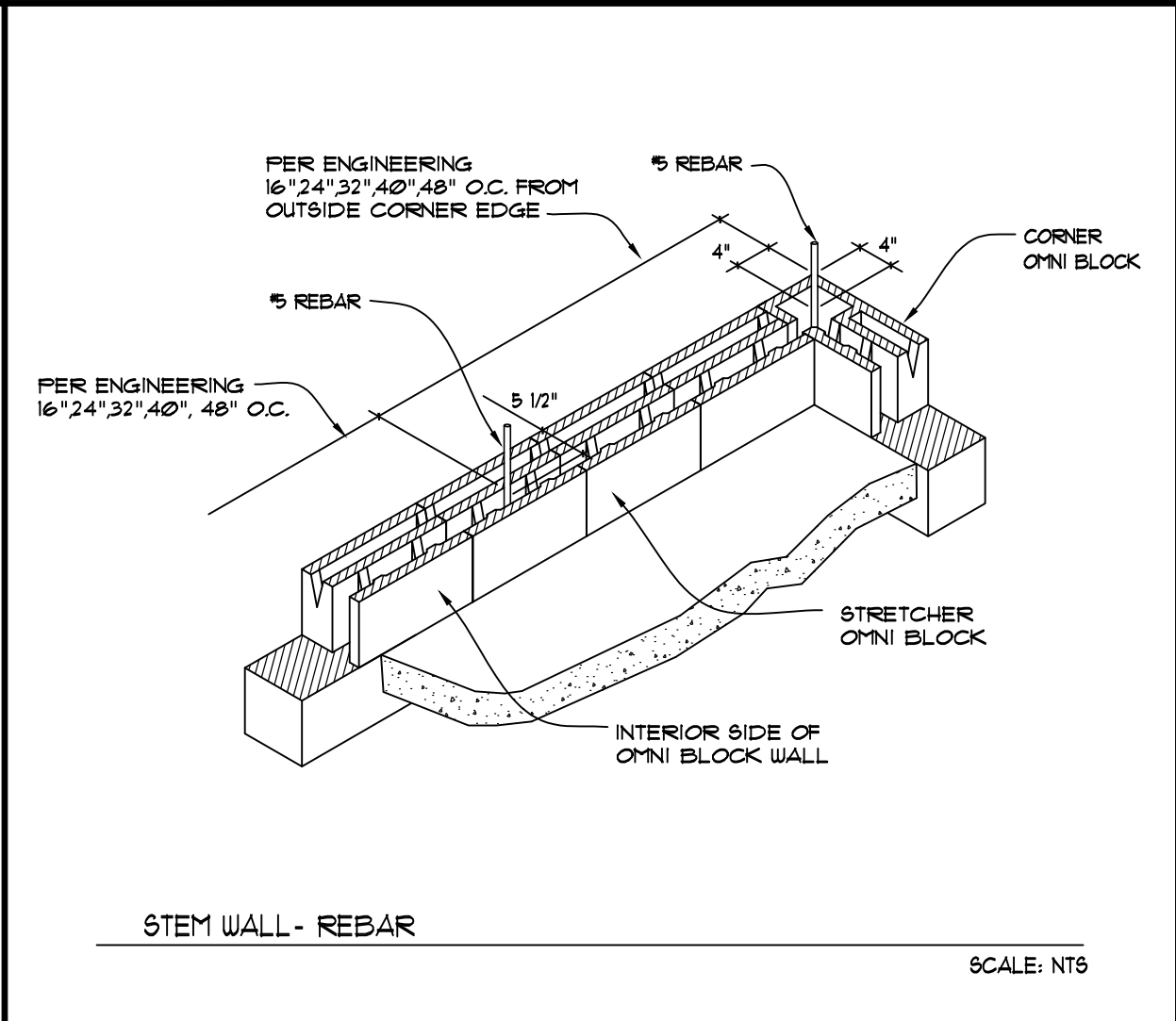
31 ANGLE PLATE LEDGER WITH STEEL BEAM SCALE: NT5

INSTALLATION ISOMETRICS:

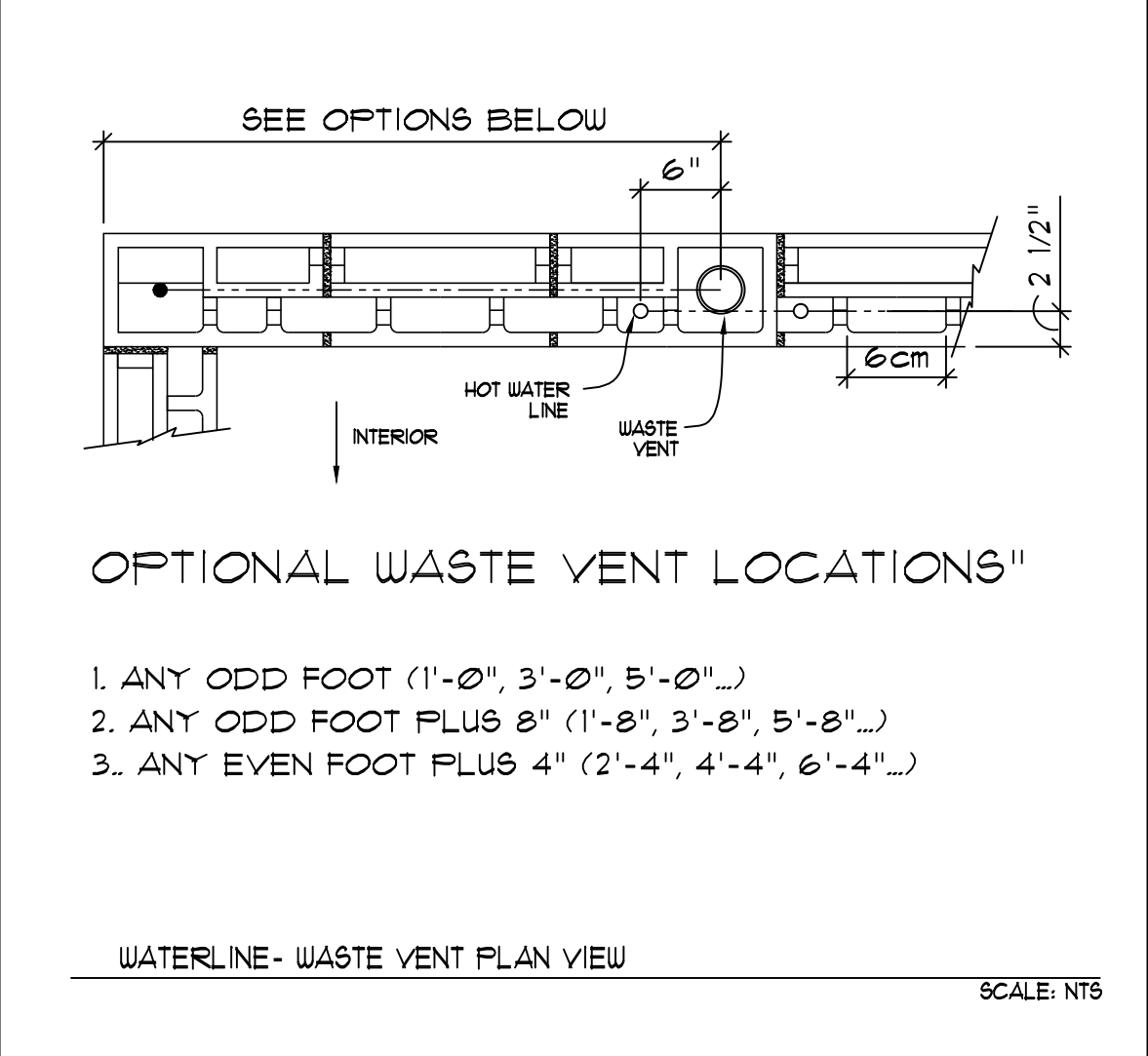
1. COMPLETE CONSTRUCTION MANUAL IS AVAILABLE IN PRINTED COPY OR IS ONLINE AT WWW.OMNIBLOCK.COM/CONSTRUCTION-MANUAL/
2. COMPLETE CONSTRUCTION STEP-BY-STEP PICTORIAL IS ONLINE AT WWW.OMNIBLOCK.COM/INSTALLATION/



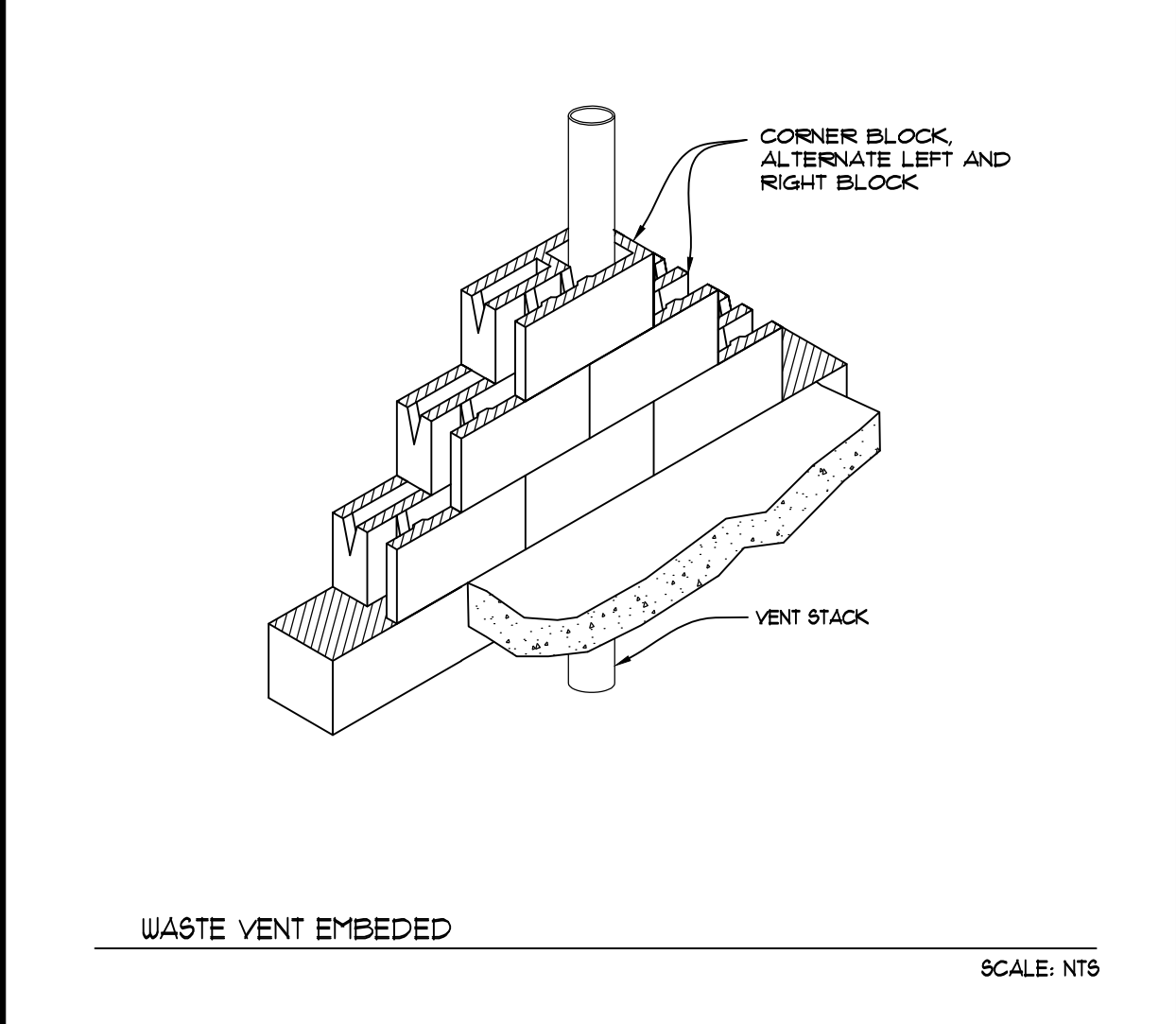
SHOP DRAWING - REBAR SCALE: NT5



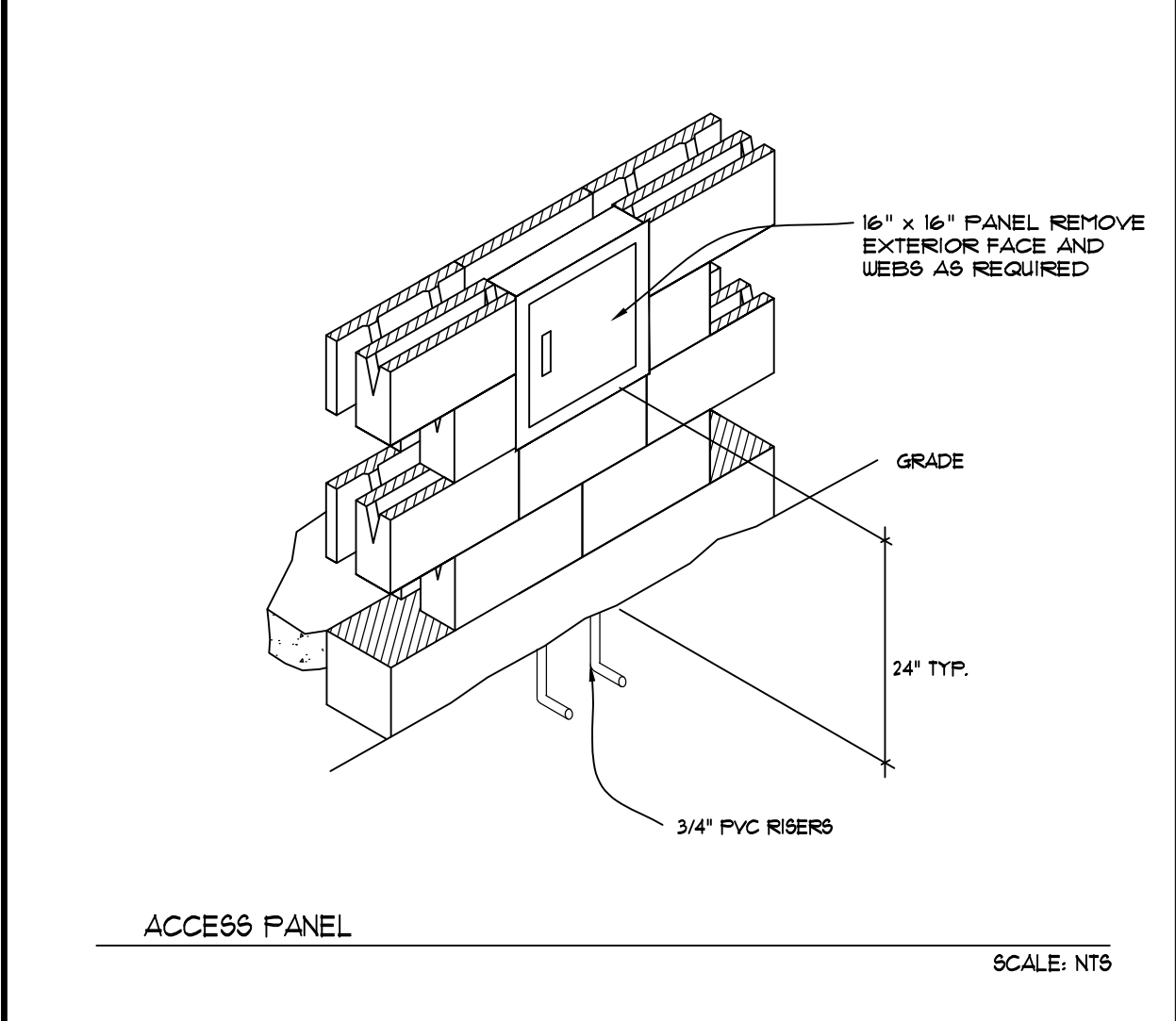
STEM WALL - REBAR SCALE: NT5



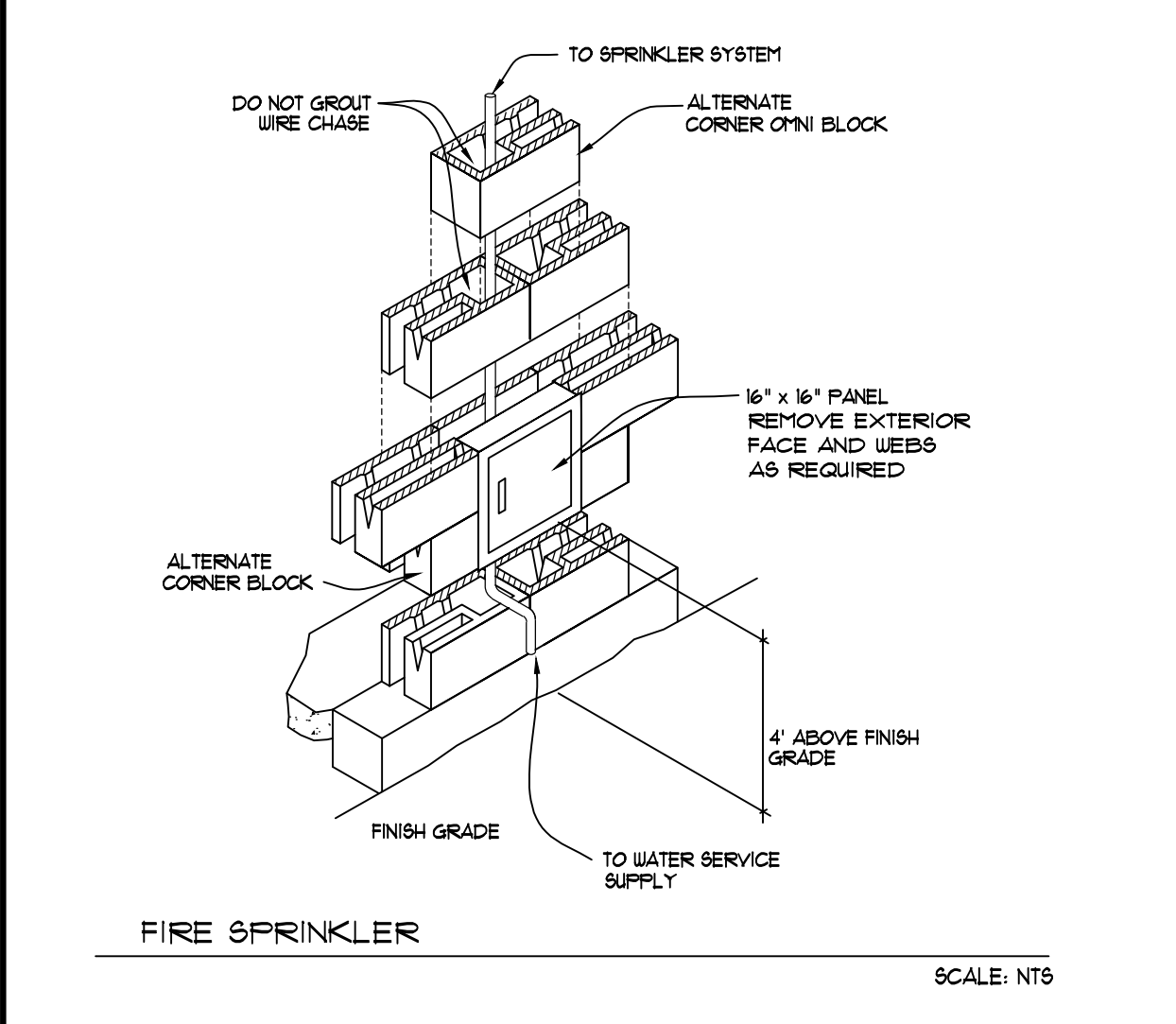
WATERLINE - WASTE VENT PLAN VIEW SCALE: NT5



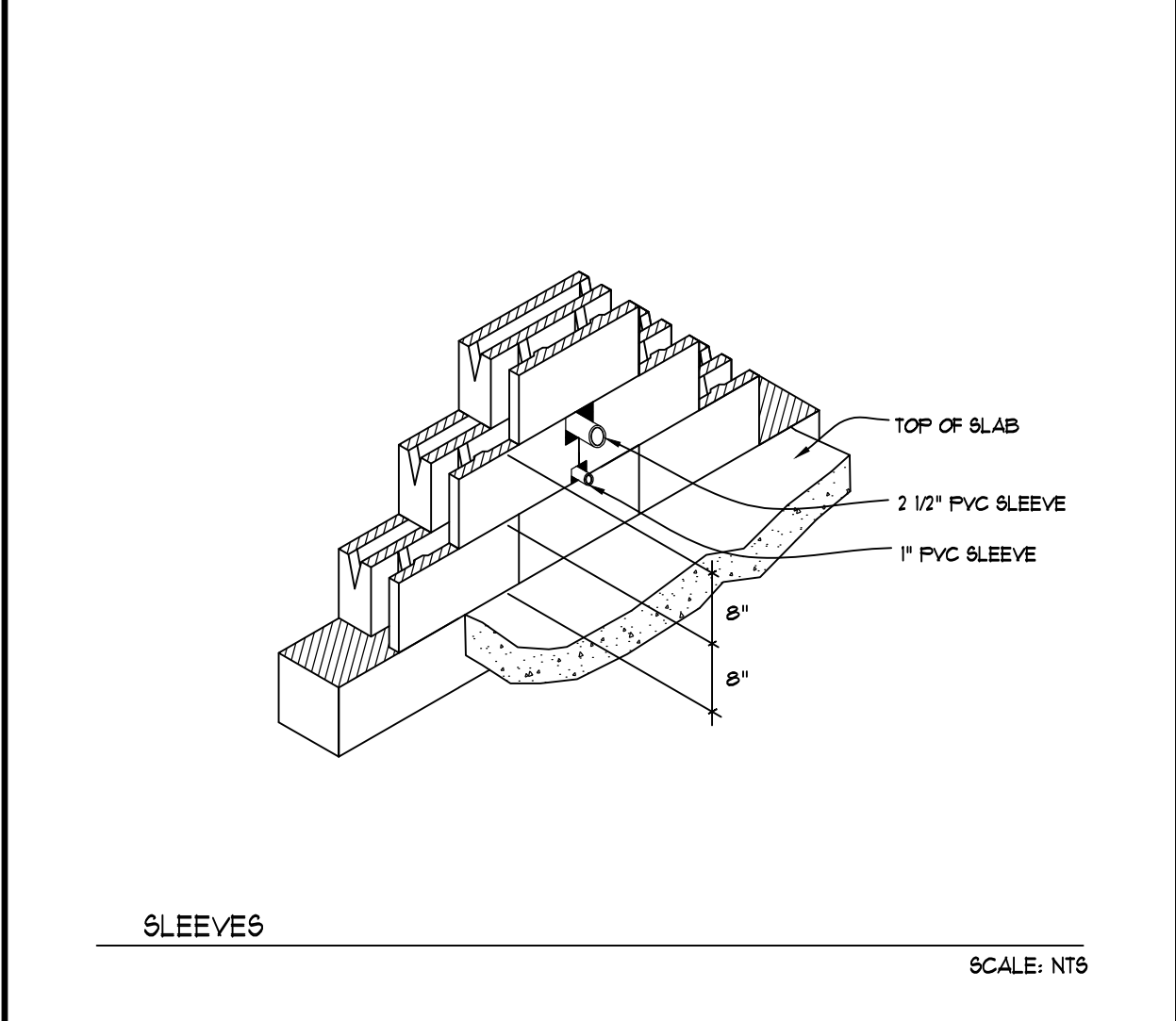
WASTE VENT EMBEDDED SCALE: NT5



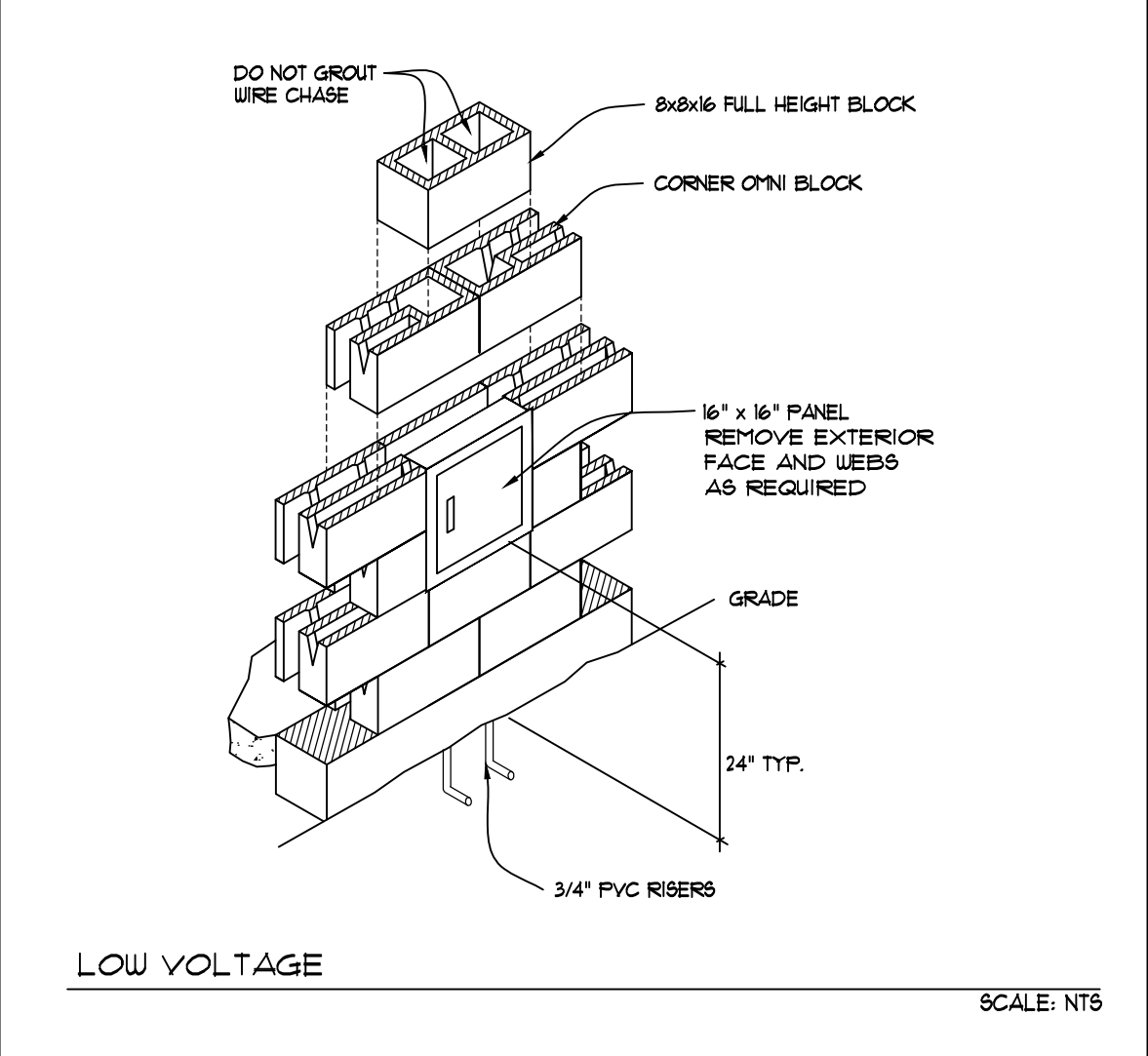
ACCESS PANEL SCALE: NT5



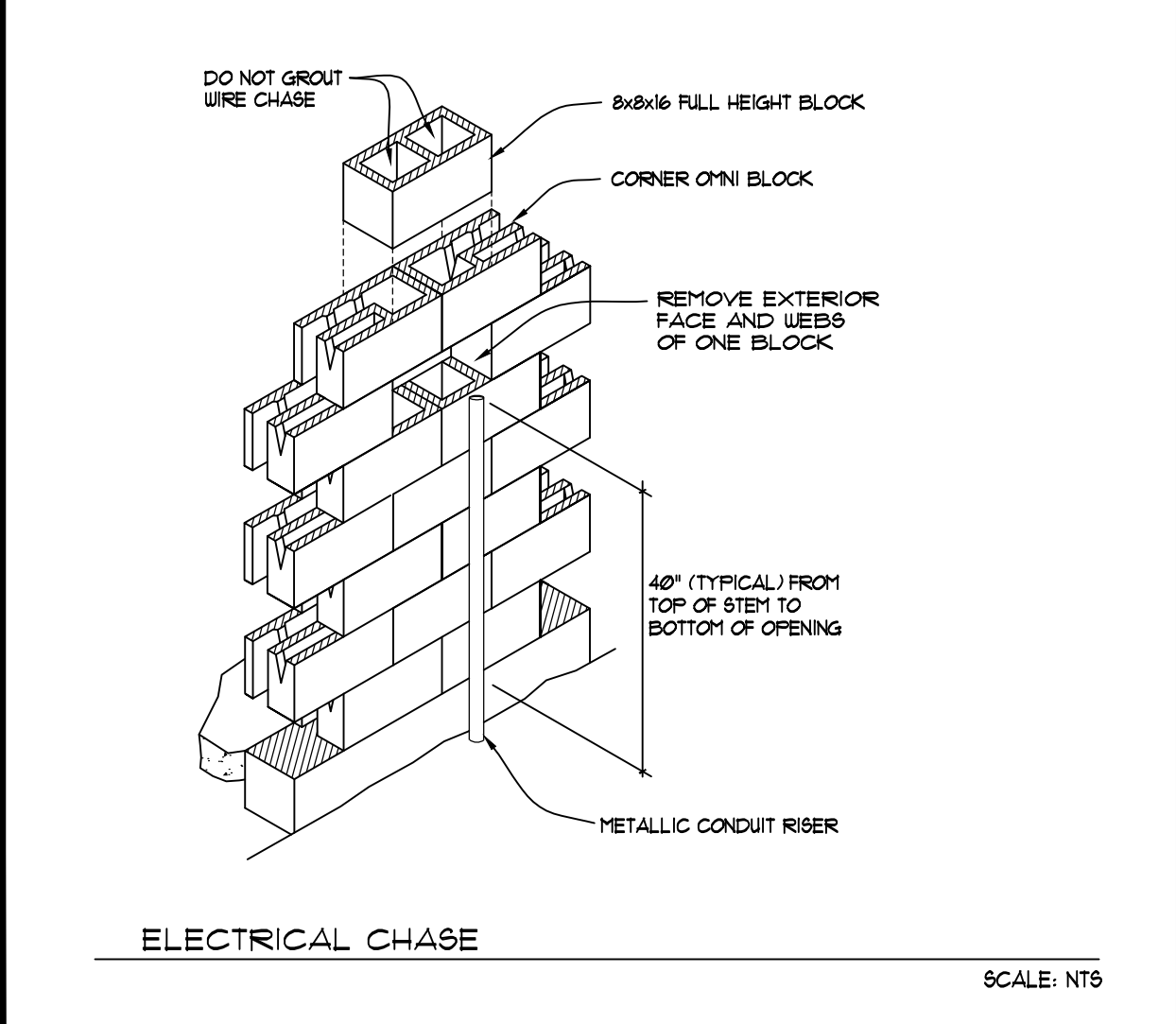
FIRE SPRINKLER SCALE: NT5



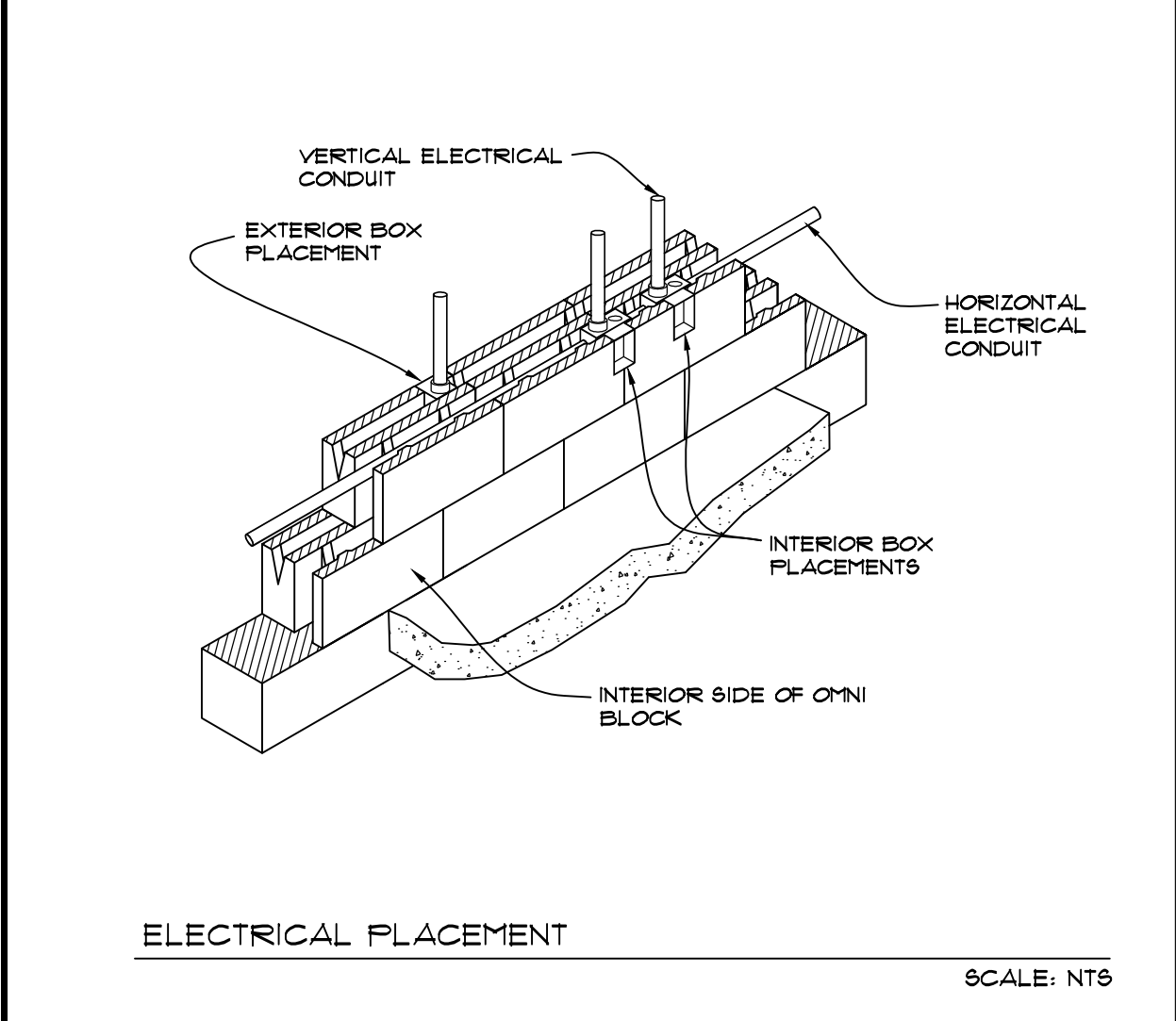
SLEEVES SCALE: NT5



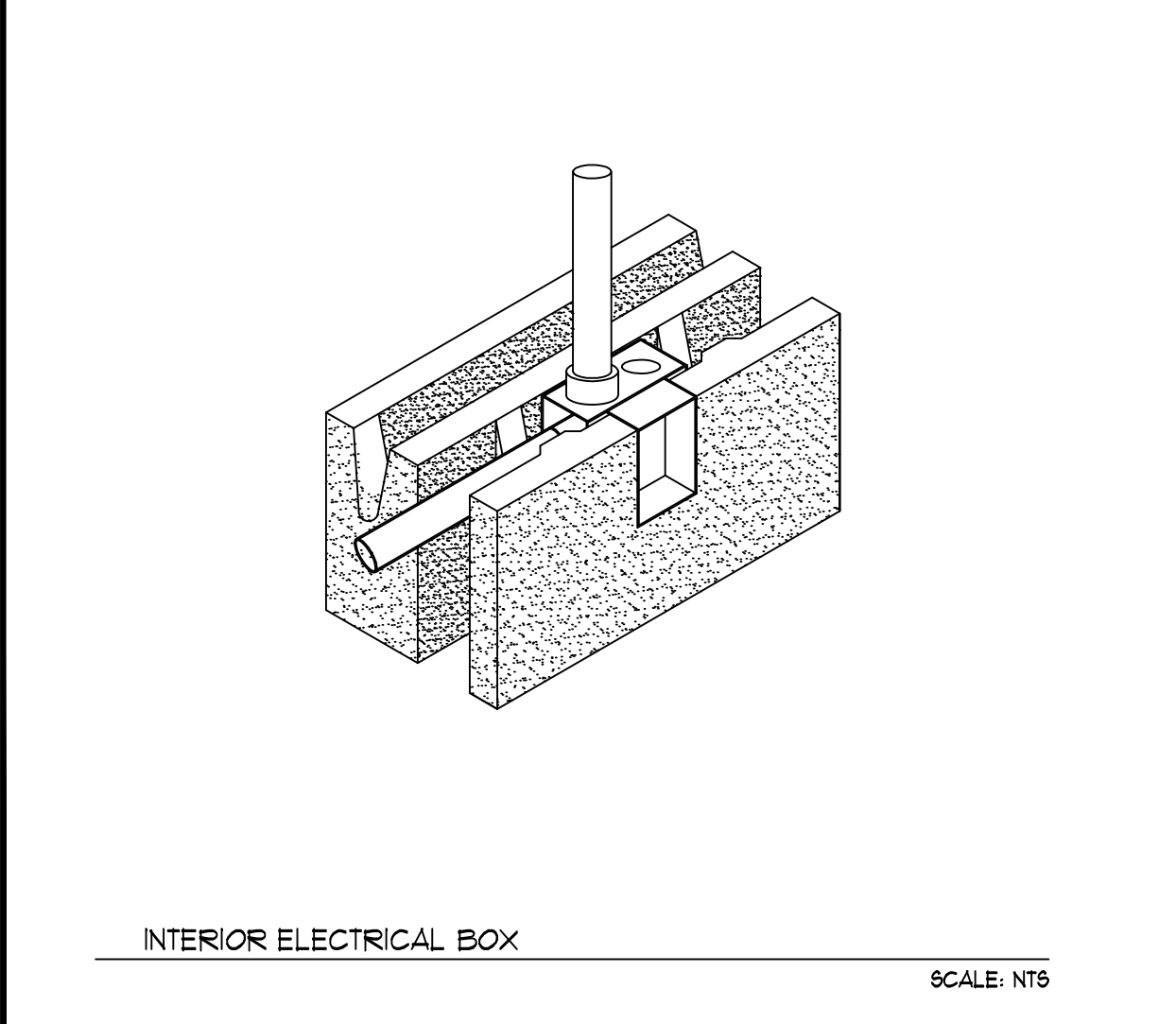
LOW VOLTAGE SCALE: NT5



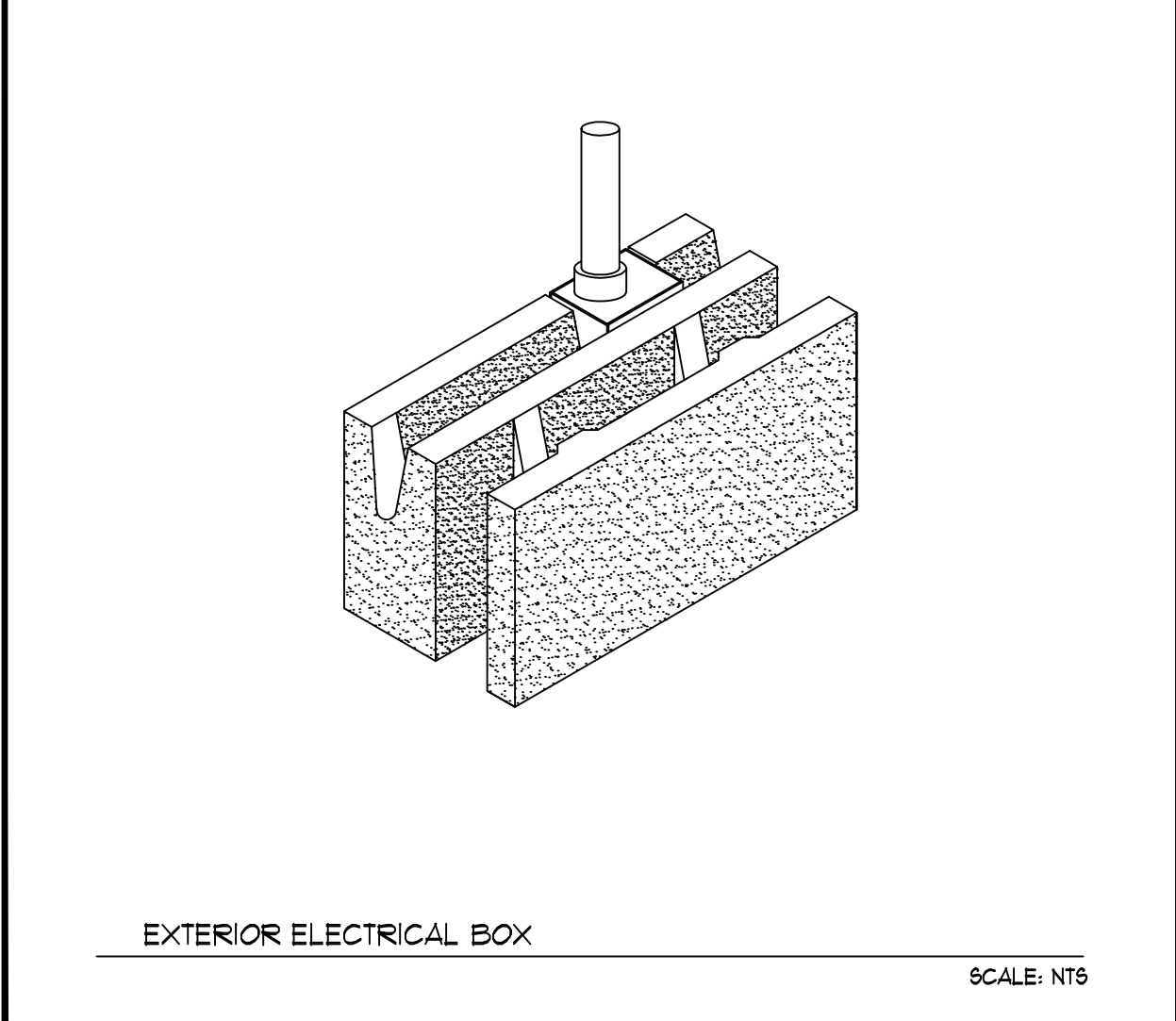
ELECTRICAL CHASE SCALE: NT5



ELECTRICAL PLACEMENT SCALE: NT5



INTERIOR ELECTRICAL BOX SCALE: NT5



EXTERIOR ELECTRICAL BOX SCALE: NT5

Omni Block
AN INSULATED CONCRETE BLOCK

WWW.OMNIBLOCK.COM
5940 S. Rainbow Blvd #1003, Las Vegas, NV 89118
Toll Free: (811) 711-OMNI (6664)
info@omniblock.com

OMNI BLOCK - 8"
ALTERNATE TO STANDARD CMU
DETAILS AND SCHEMATICS

REVISIONS:	BY:

BY: JR
CHECKED BY: DRM
DATE: 3/1/2011
FILE: ALT-001
SHEET
ALT 2.2