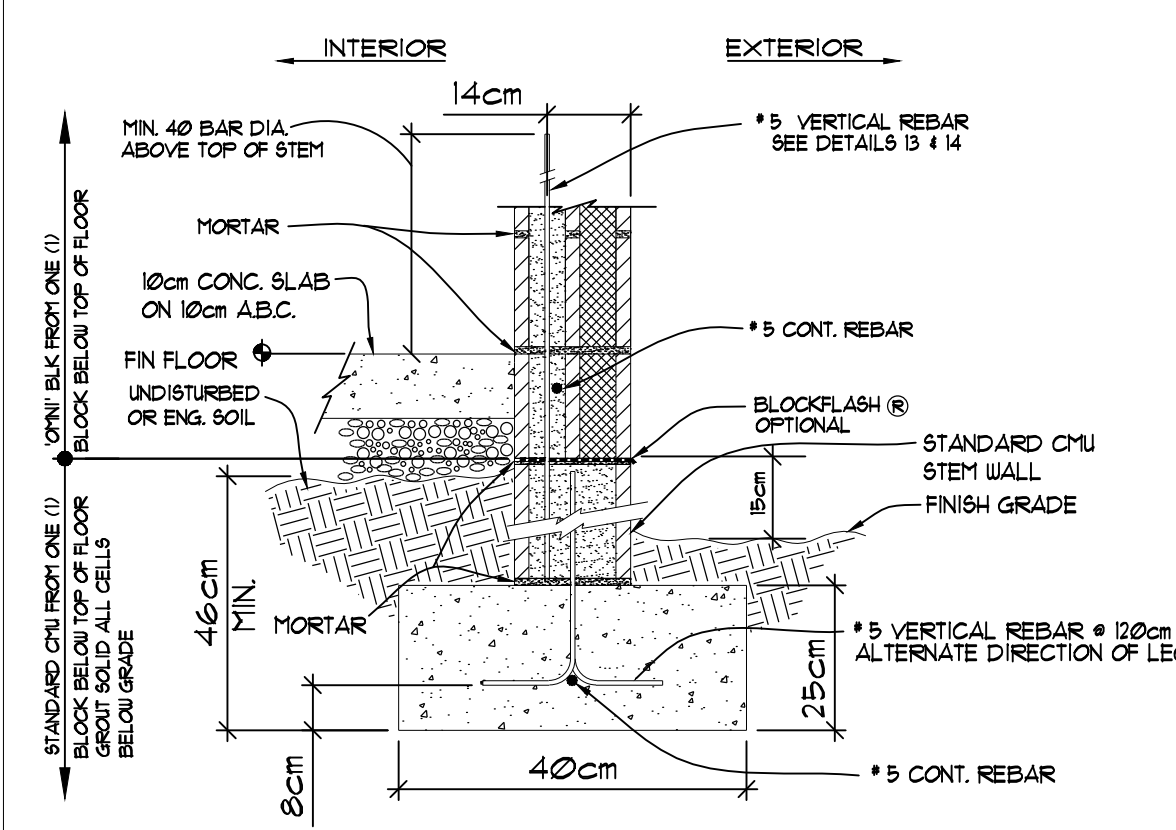
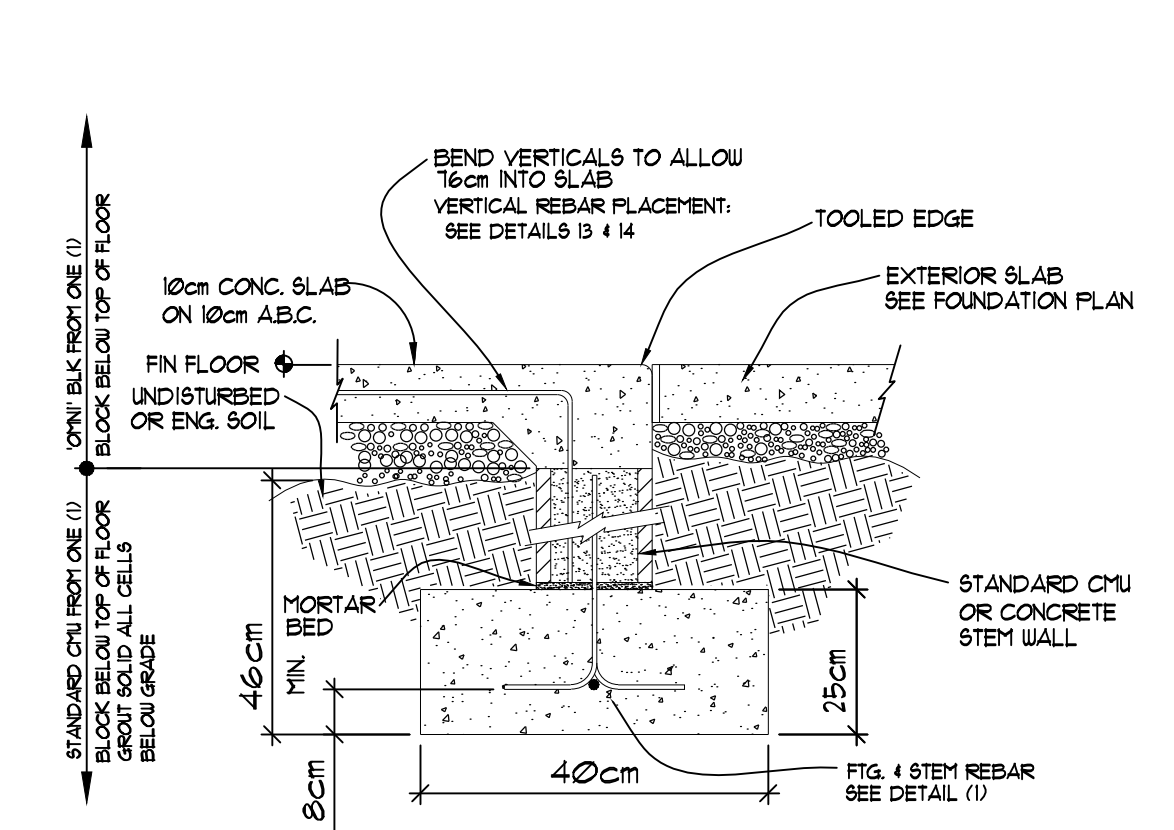


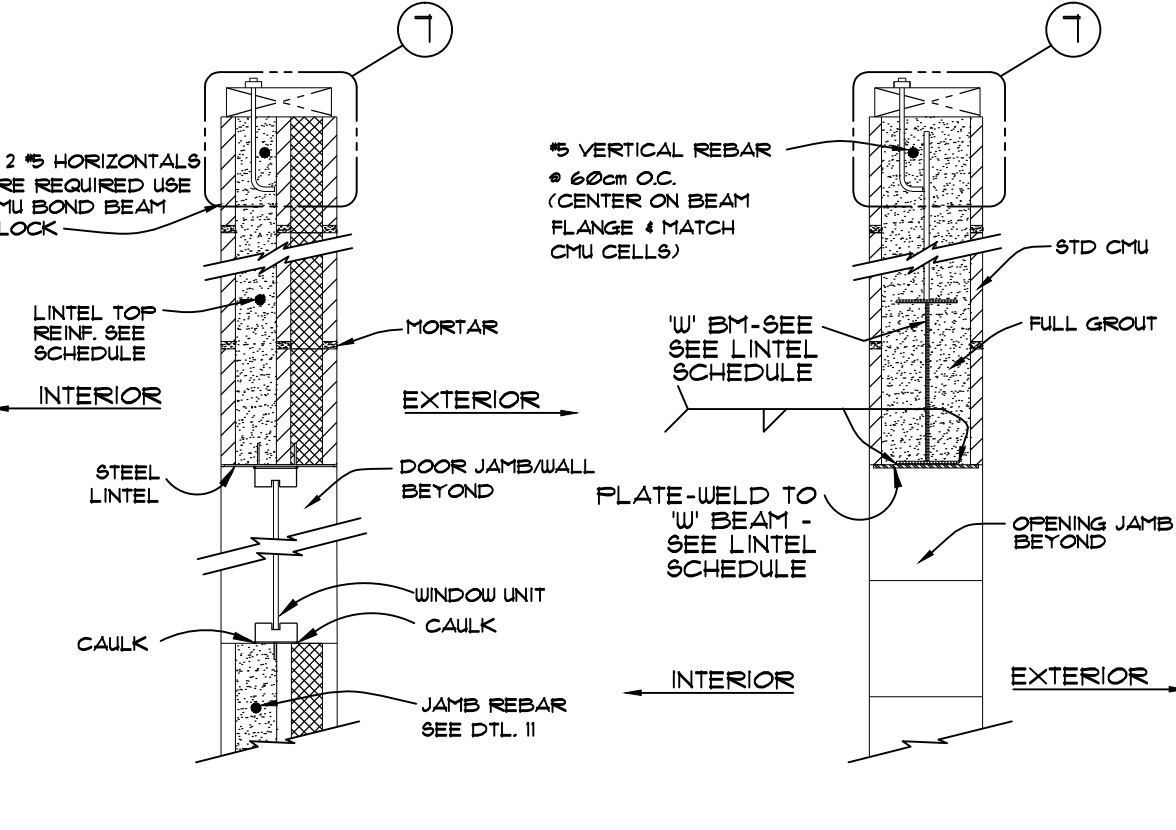
1 EXTERIOR WALL FOOTING - CONCRETE STEM
SCALE: NT5



1A EXTERIOR WALL FOOTING - CMU STEM
SCALE: NT5



2 DEPRESSED STEM @ OPENING
SCALE: NT5



3 TYPICAL LINTEL (3)
SCALE: NT5

3A W' BEAM (WHEN USED)
SCALE: NT5

JOB SPECIFICATIONS
OMNI BLOCK ENGINEERING SUMMARY SHEET

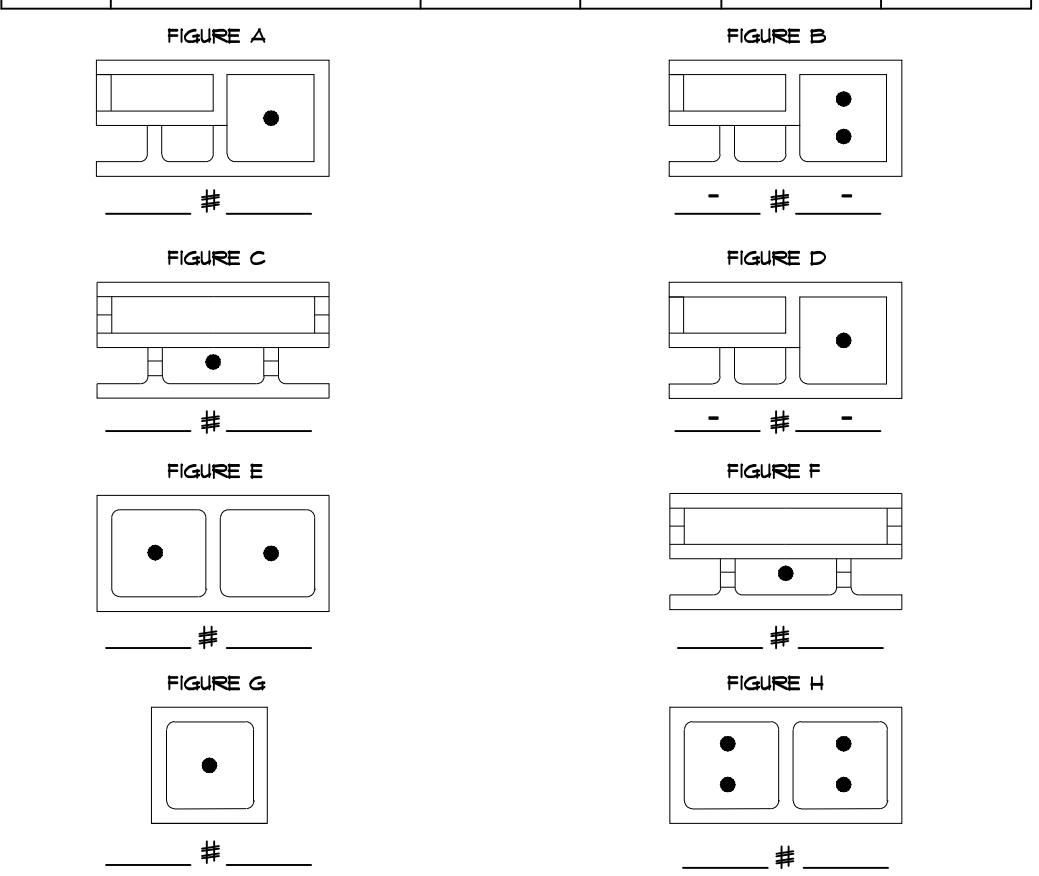
GRADE OF STEEL: 40 GROUT: 2000 psi MORTAR TYPE _____

REINFORCEMENT SCHEDULE:

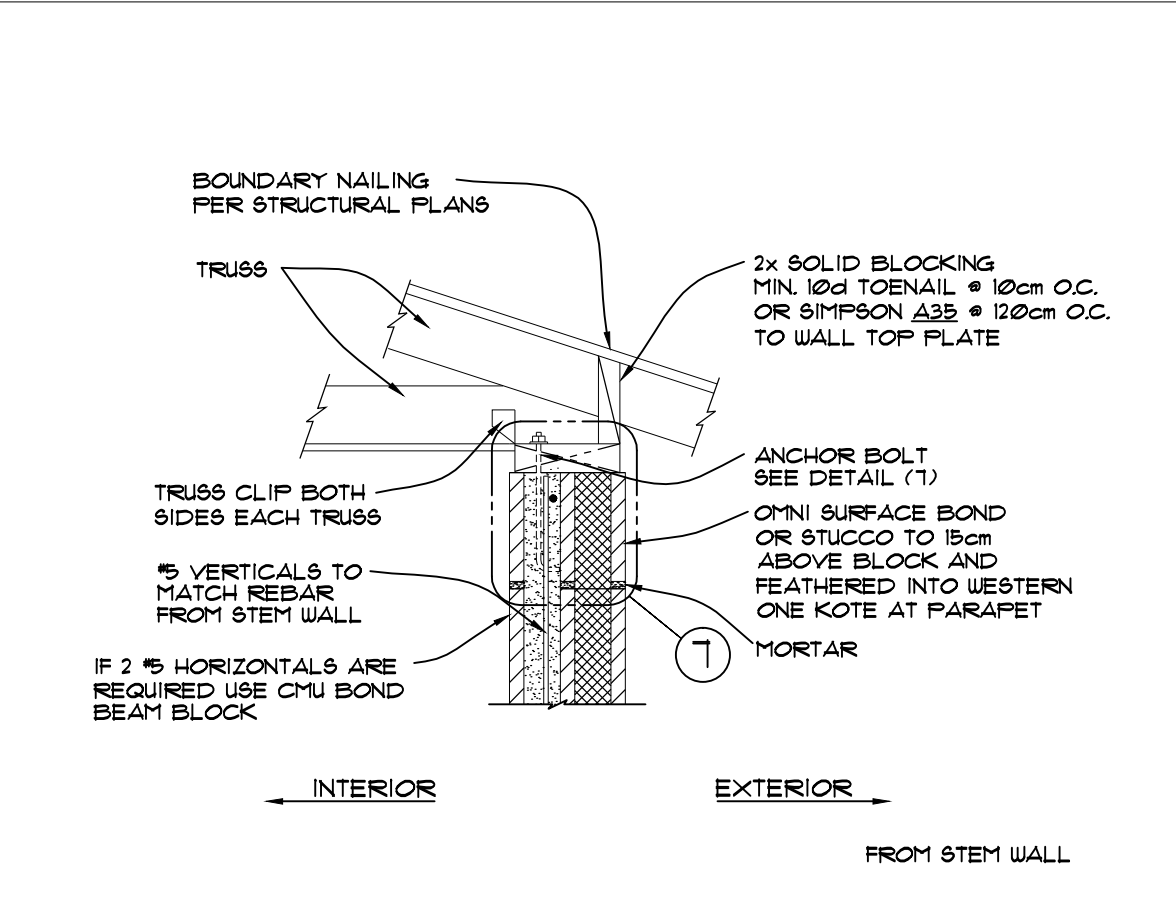
WALL HEIGHT	VERTICAL STEEL		BOND BEAM'S		TOP OF WALL		TOP OF STEM	
	QTY.	•	QTY.	•	QTY.	•	QTY.	•

LINTEL SCHEDULE:

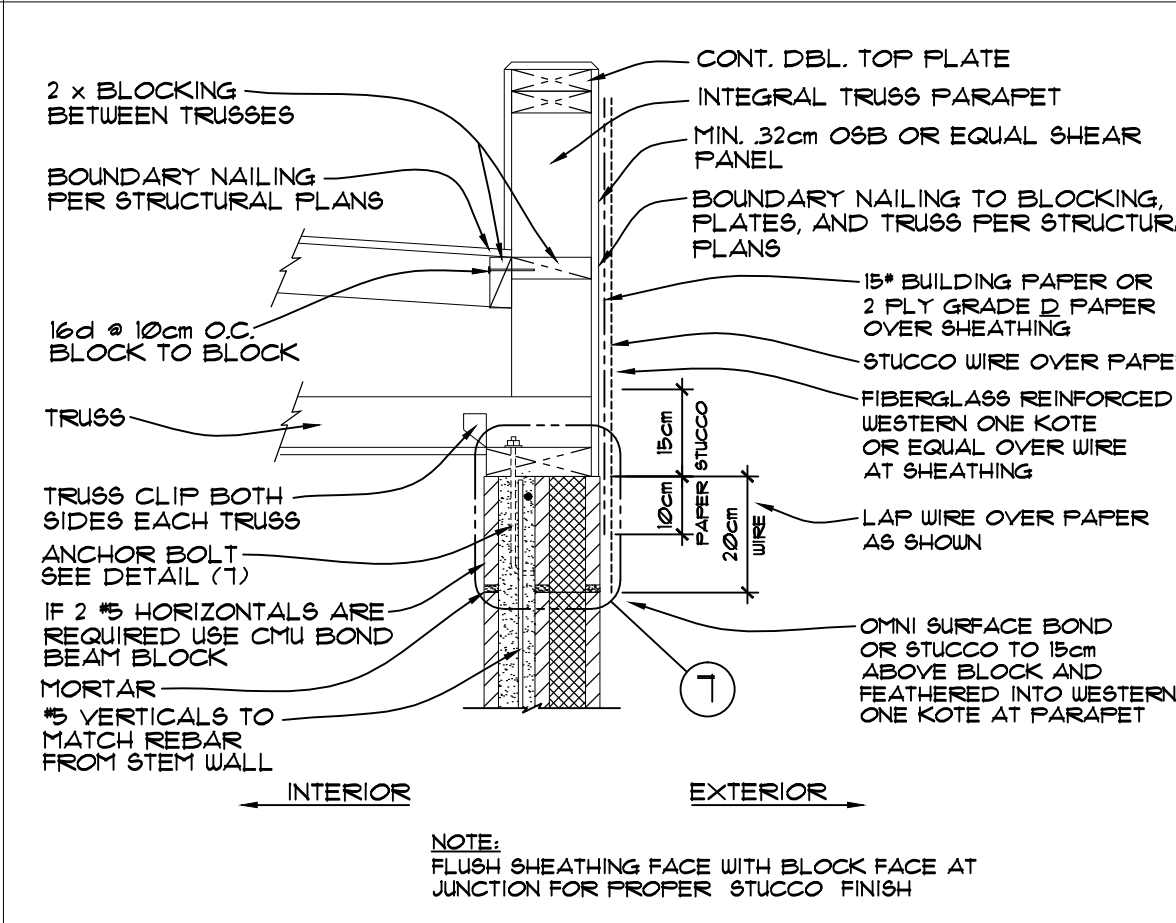
Mark	LINTEL SPECIFICATIONS					FIGURE (LETTER)
	TYPE	SHEAR STEEL	TOP STEEL	GROUT WIDTH		



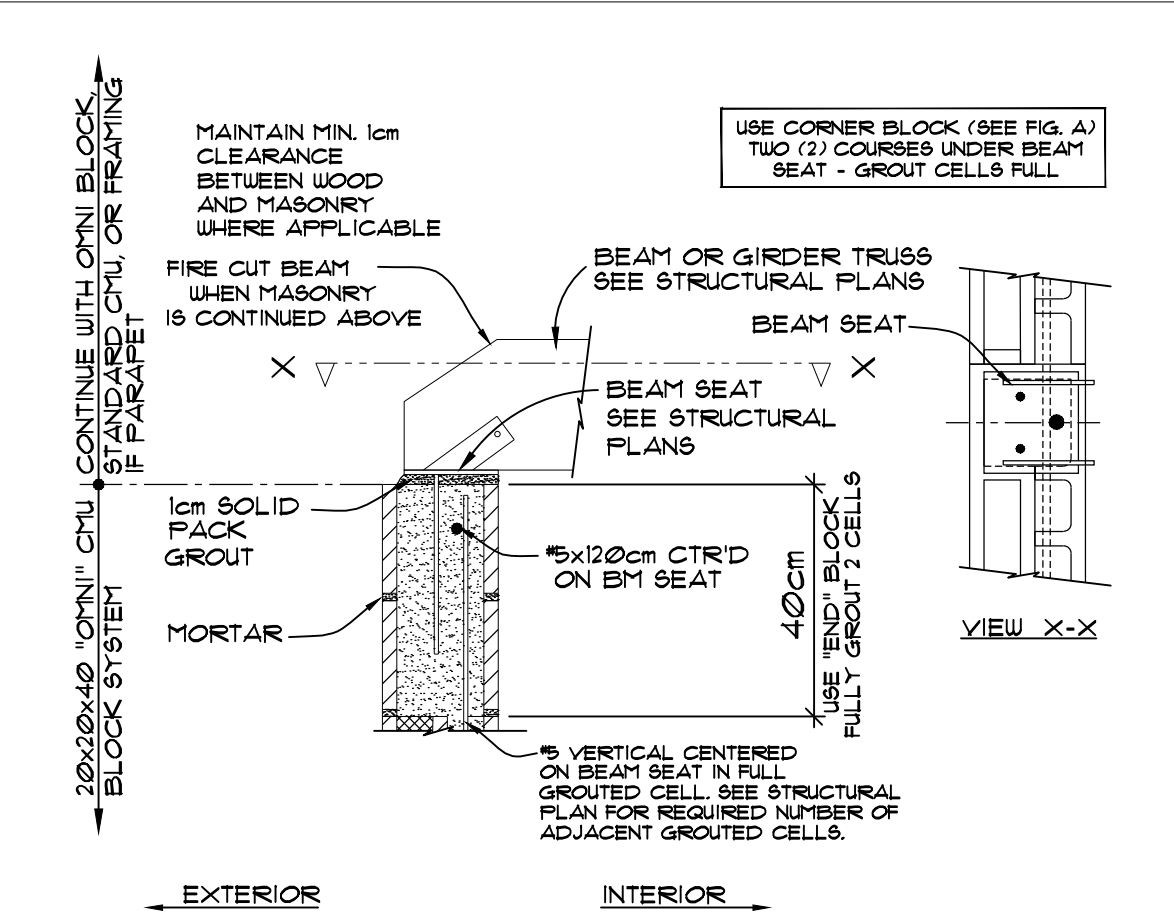
UNLESS NOTED OTHERWISE, ALL CMU ARE "OMNI" SYSTEM.
VERIFY ALL DETAILS AGAINST ENGINEERING CALCULATIONS.
SCALE: NT5



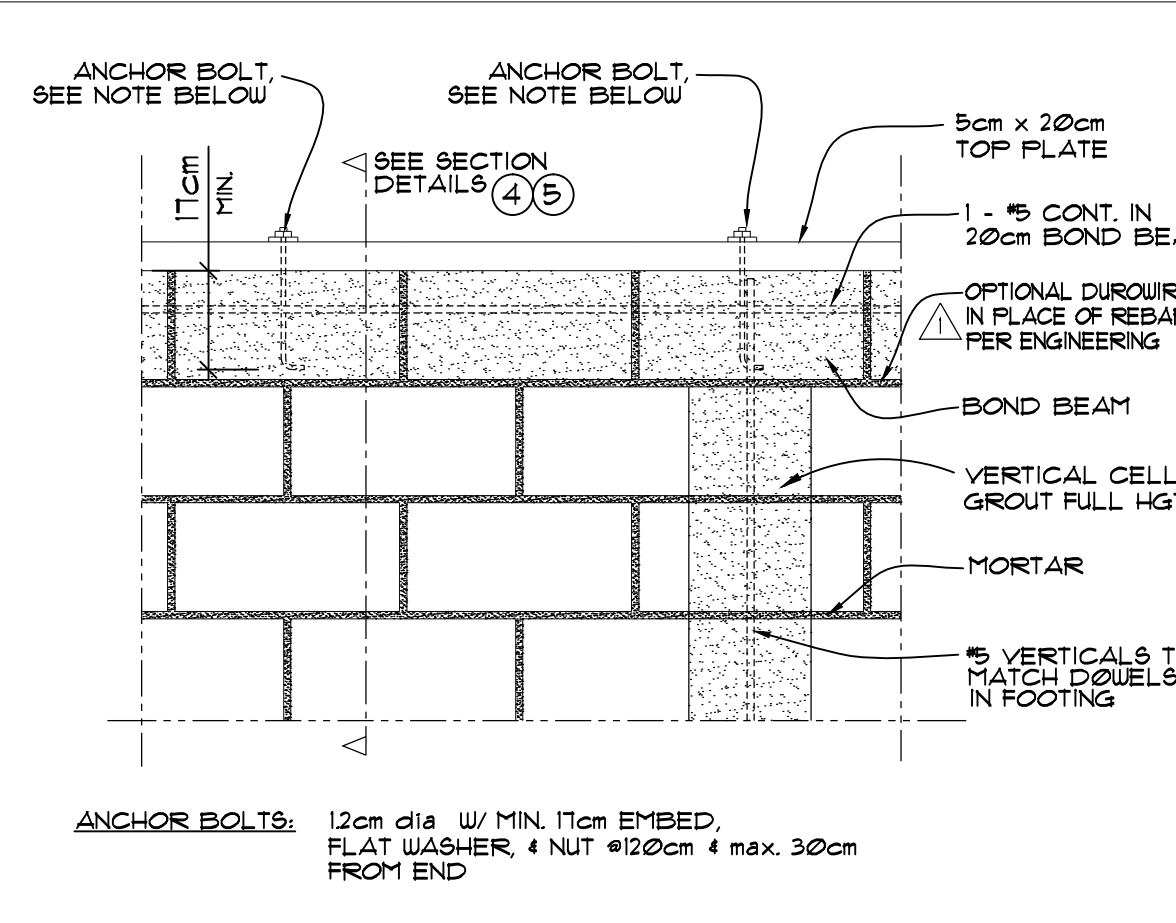
4 BOND BEAM - WITH ROOF TRUSS @ EAVE
SCALE: NT5



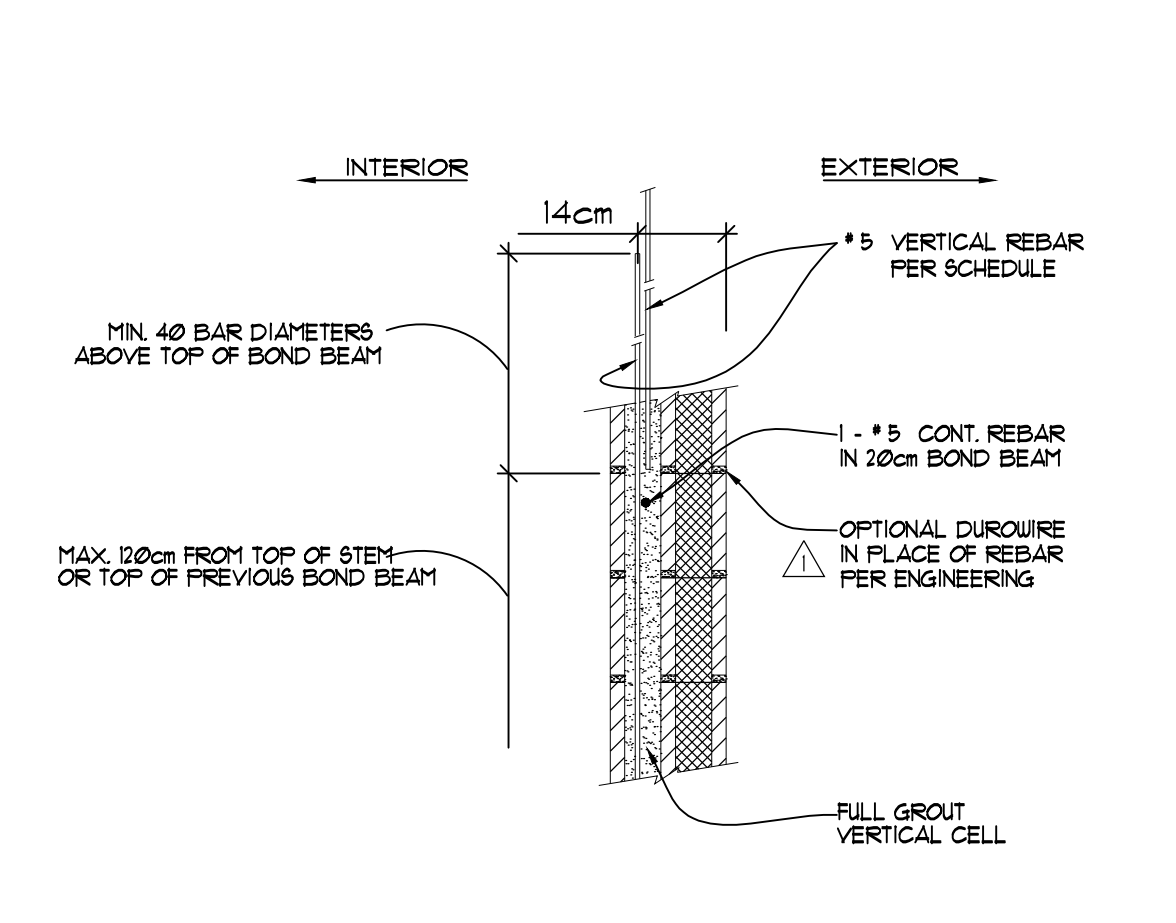
5 BOND BEAM - WITH ROOF TRUSS PARAFET
SCALE: NT5



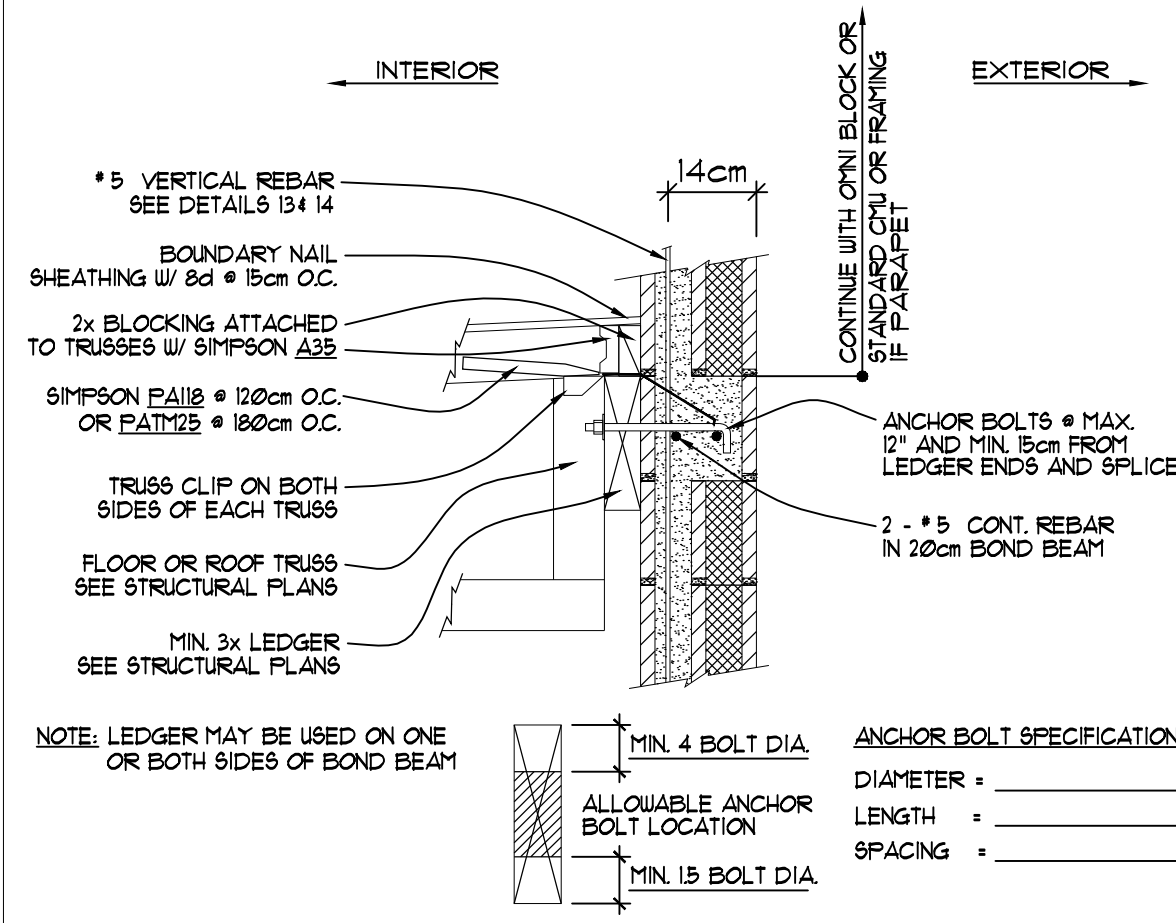
6 BEAM OR TRUSS @ CMU
SCALE: NT5



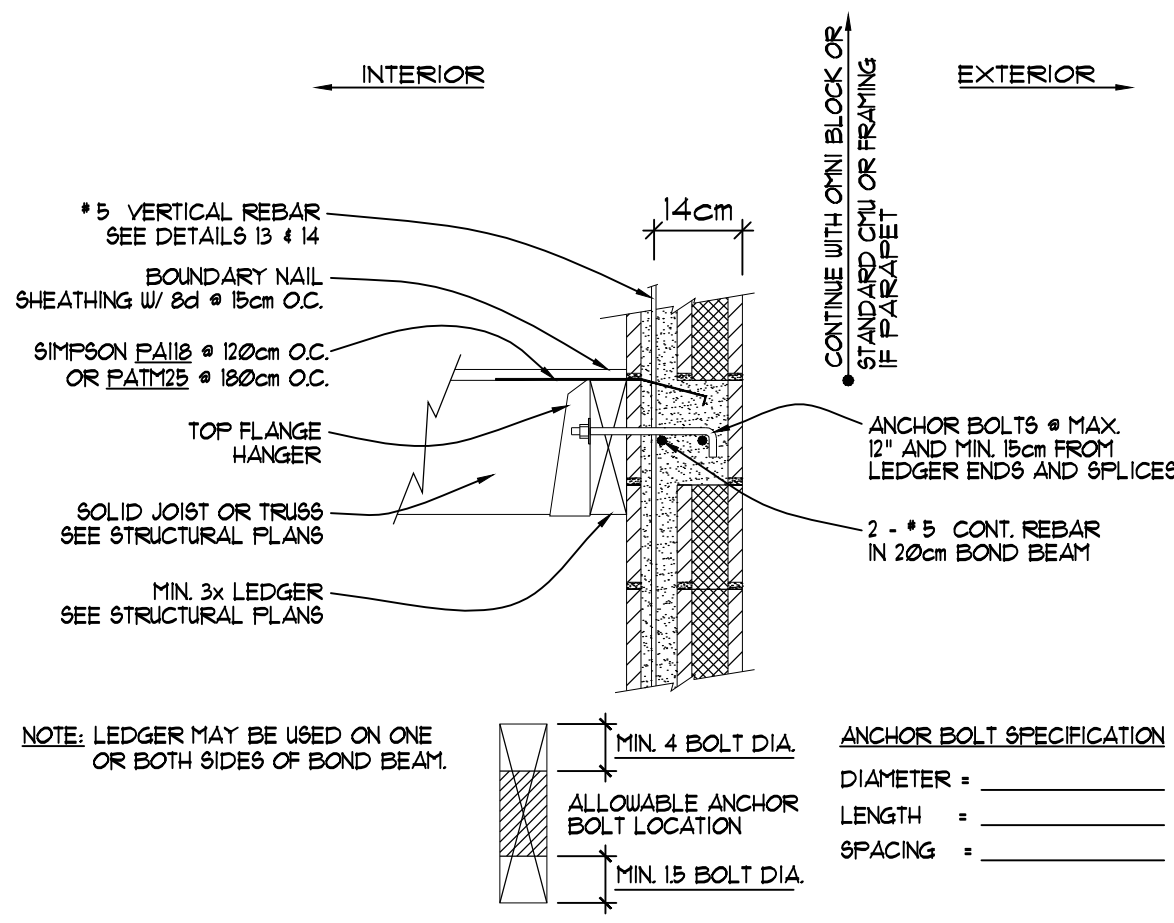
7 WALL TO ROOF / ANCHOR PLATE
SCALE: NT5



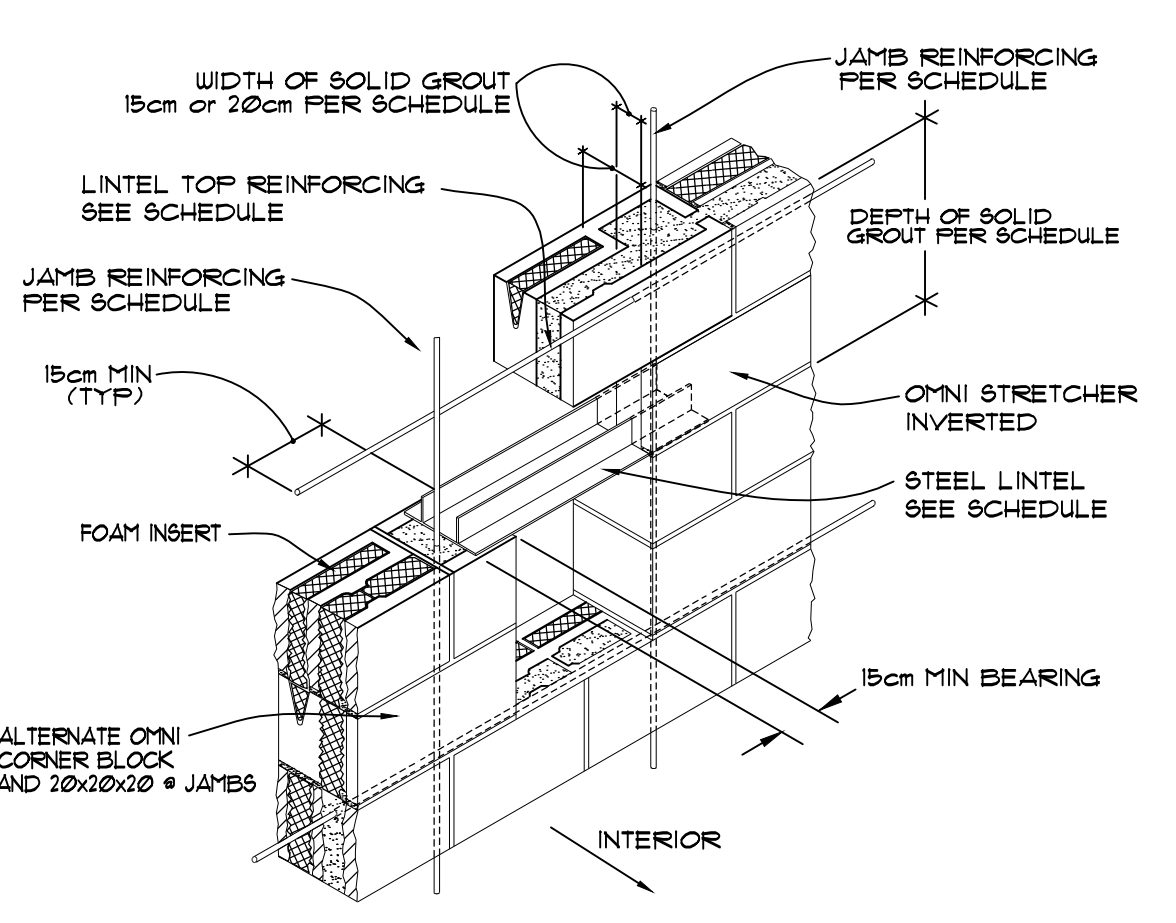
8 BOND BEAM - MID WALL
SCALE: NT5



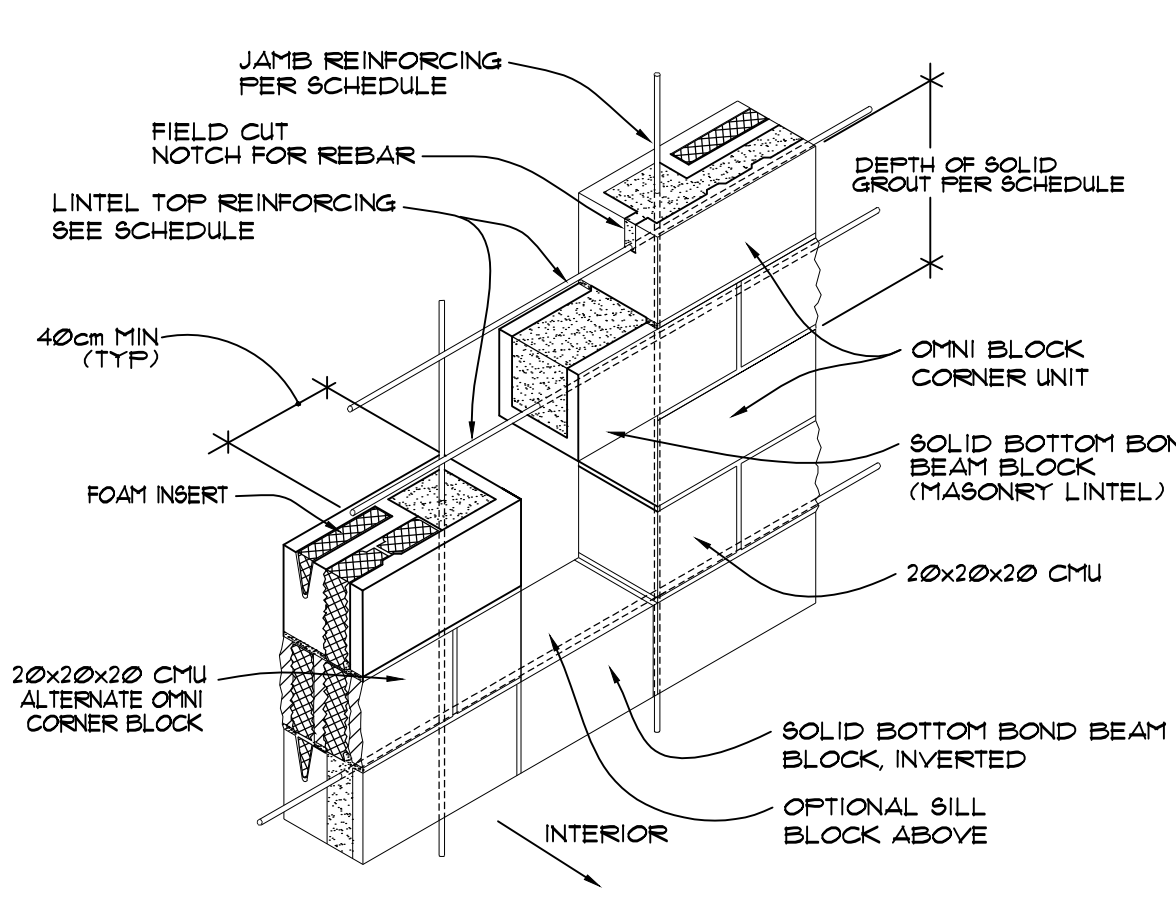
9 LOAD BEARING LEDGER WITH TRUSS TOP CHORD SUPPORT
SCALE: NT5



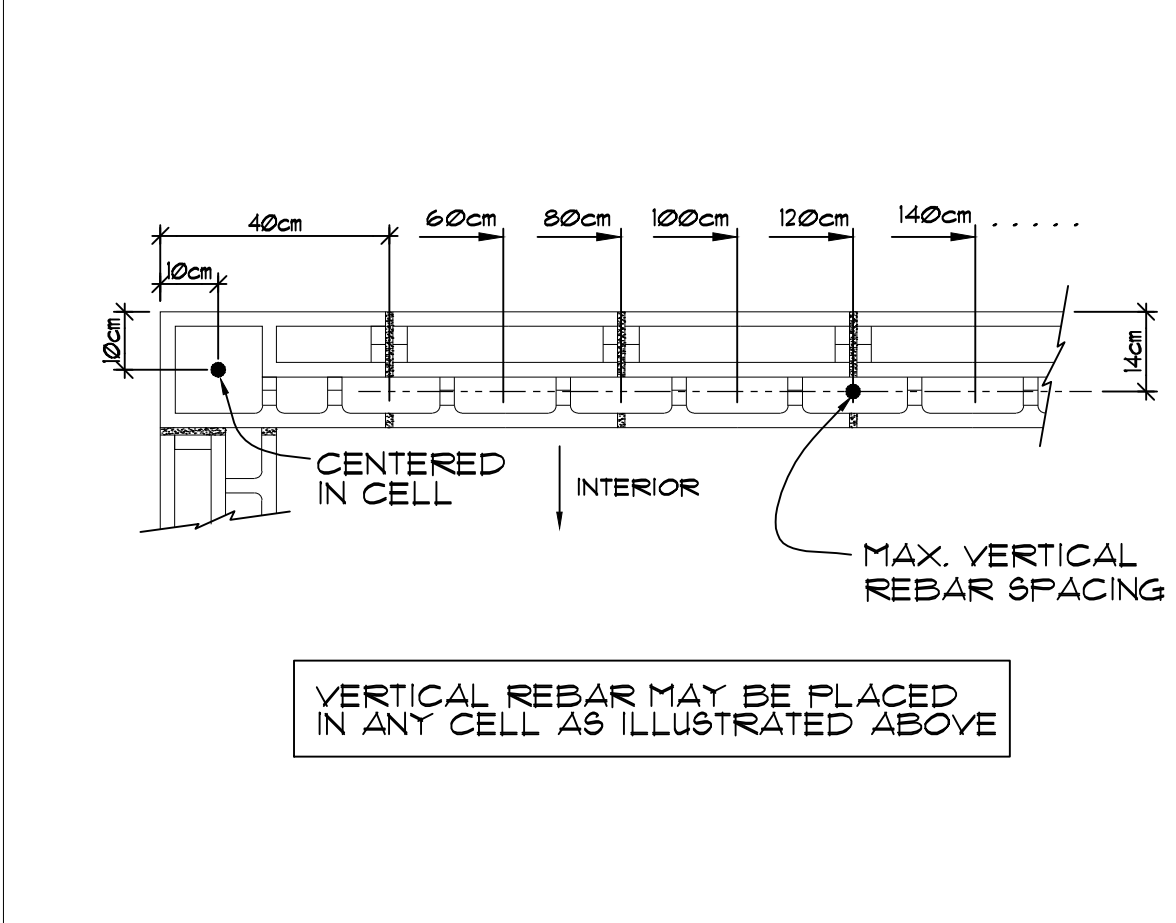
10 LOAD BEARING LEDGER WITH JOIST HANGER
SCALE: NT5



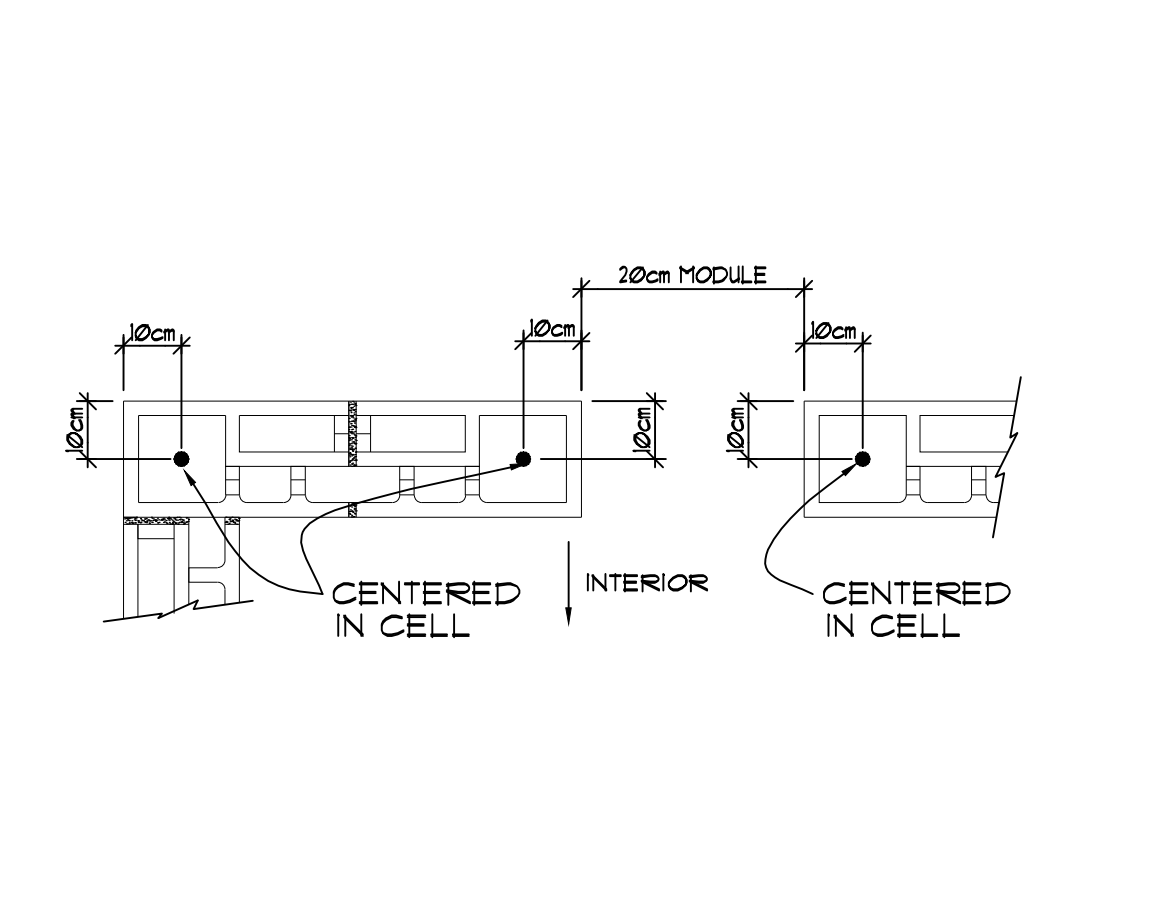
11 WINDOW / DOOR LINTEL DETAIL
SCALE: NT5



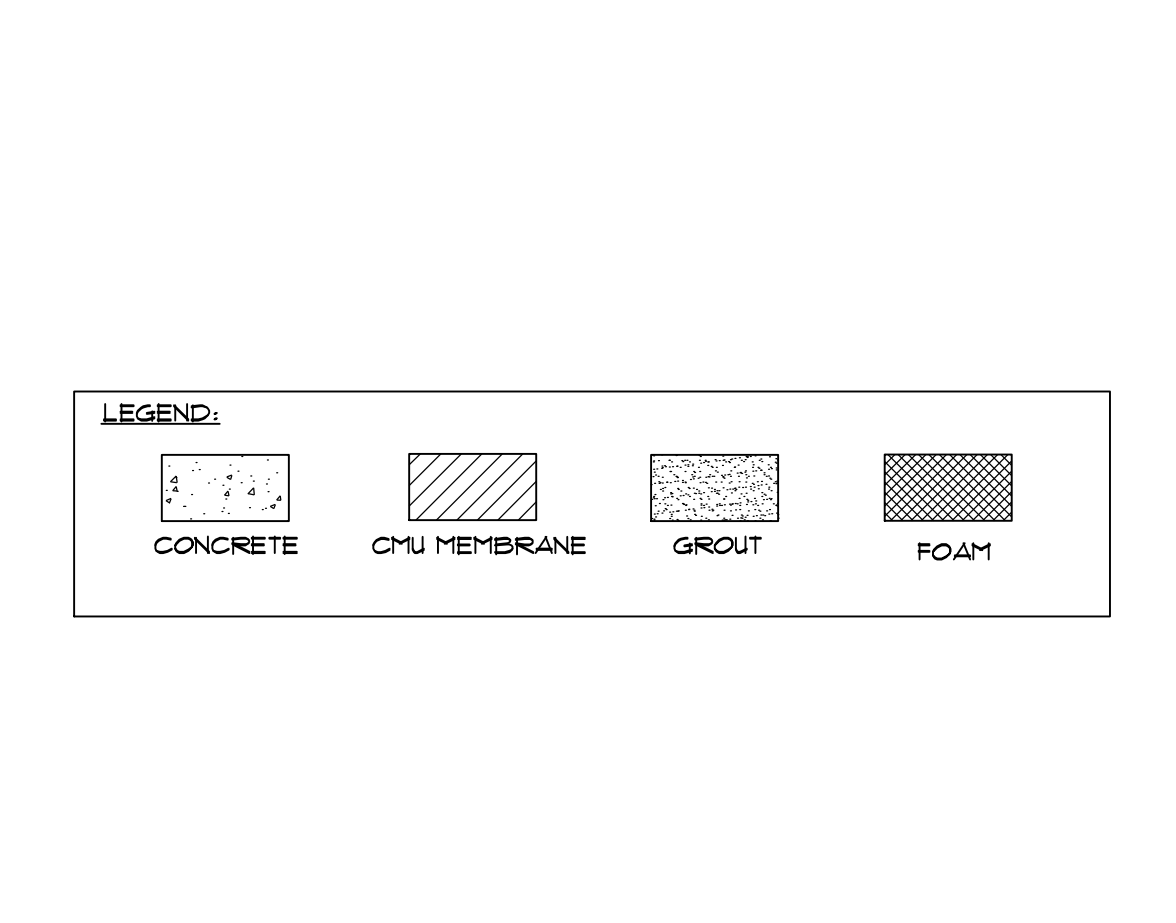
12 WINDOW/DOOR SILL AND LINTEL FOR EXPOSED CMU
SCALE: NT5



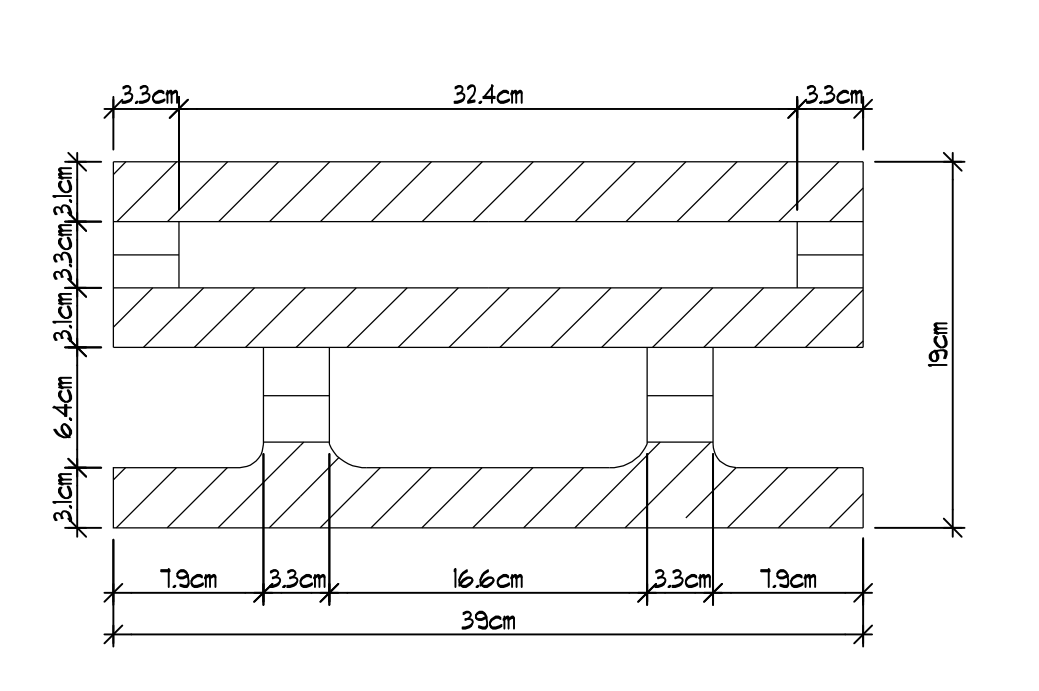
13 VERTICAL REBAR PLACEMENT - STANDARD WALL
SCALE: NT5



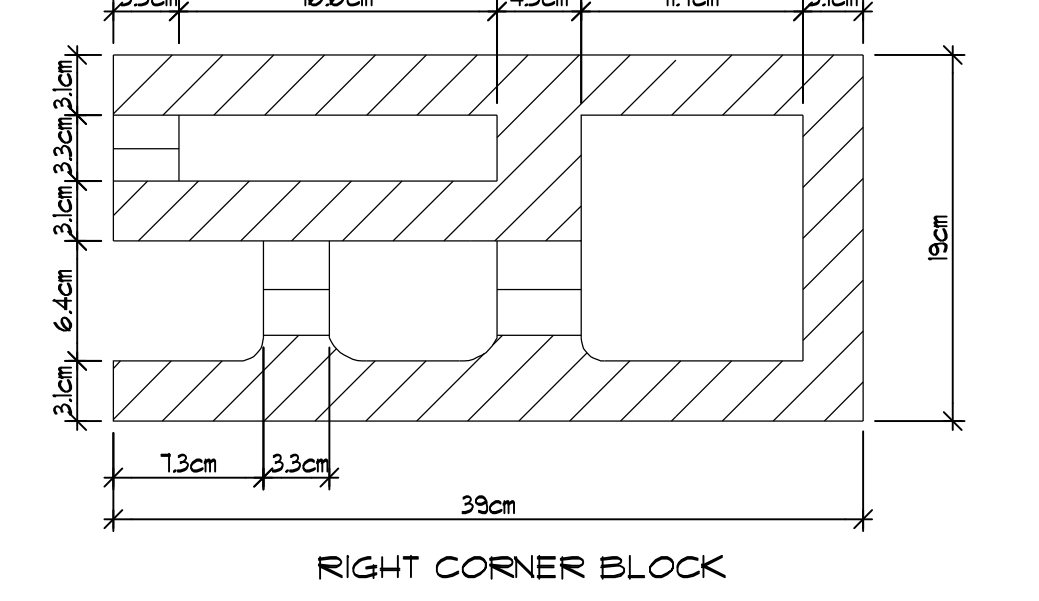
14 REBAR PLACEMENT AT WINDOW & DOOR OPENINGS
SCALE: NT5



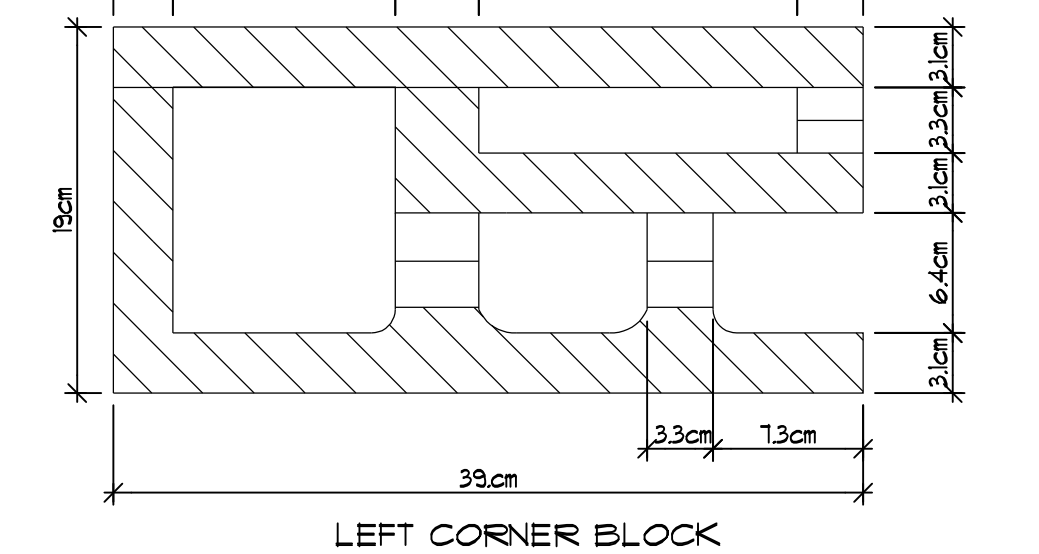
15 LEGEND
SCALE: NT5



16 STRETCHER



17 RIGHT CORNER BLOCK



17 BLOCK DETAIL
8803 NT5

www.omniblock.com
5940 S. Rainbow Blvd #1003, Las Vegas, NV 89118
Tel/Fax: (811) 711-OMNI (6664)
info@omniblock.com

OMNI BLOCK SYSTEM 20
STANDARD 20cmx20cmx40cm
DESIGN DETAILS
v. 5.3

REVISIONS:

NO.	DESCRIPTION	BY:

BY: JR
CHECKED BY: DRM
DATE: 11/03/15
FILE:
SHEET
58.3