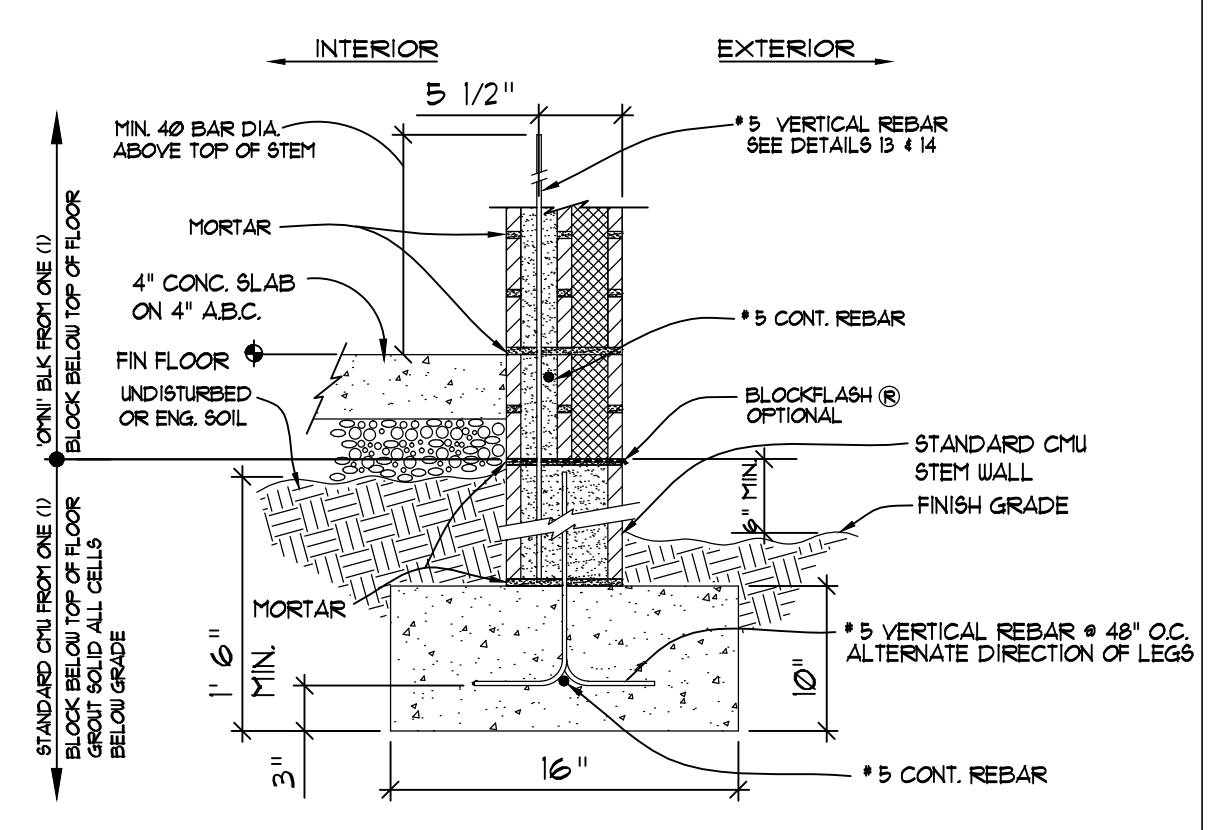
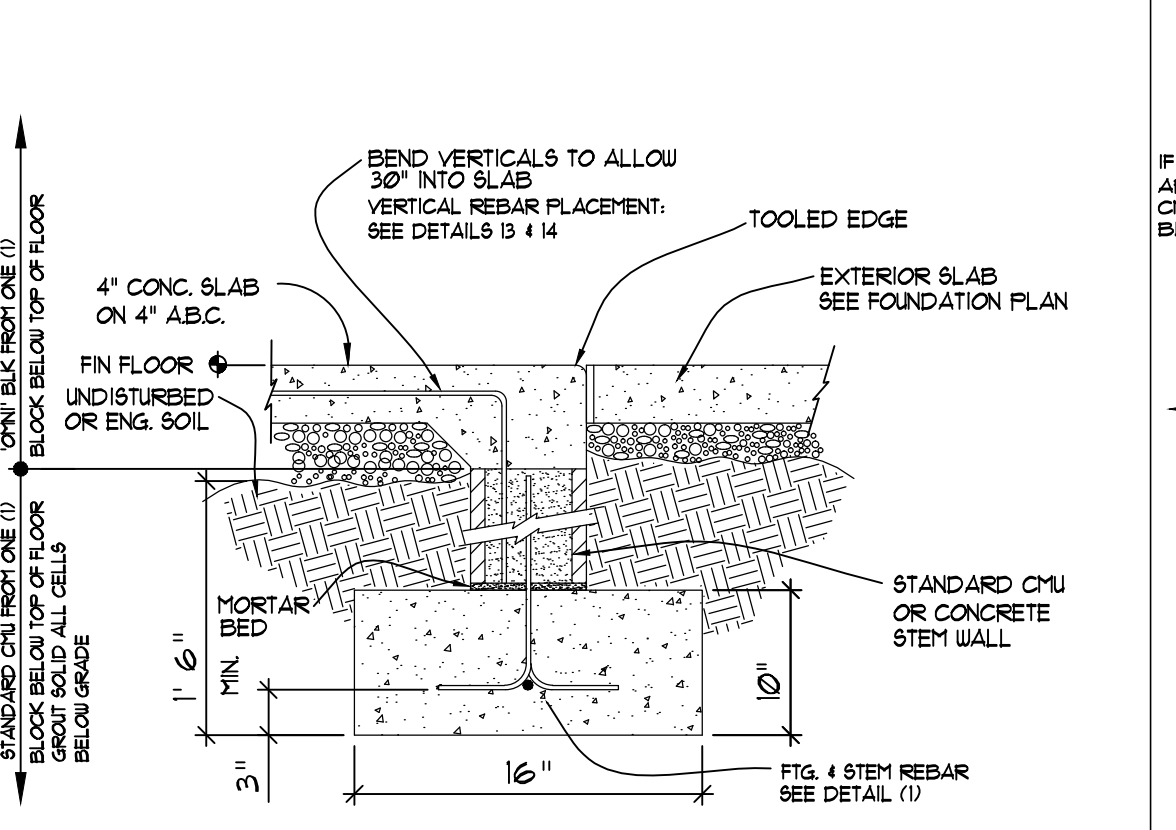


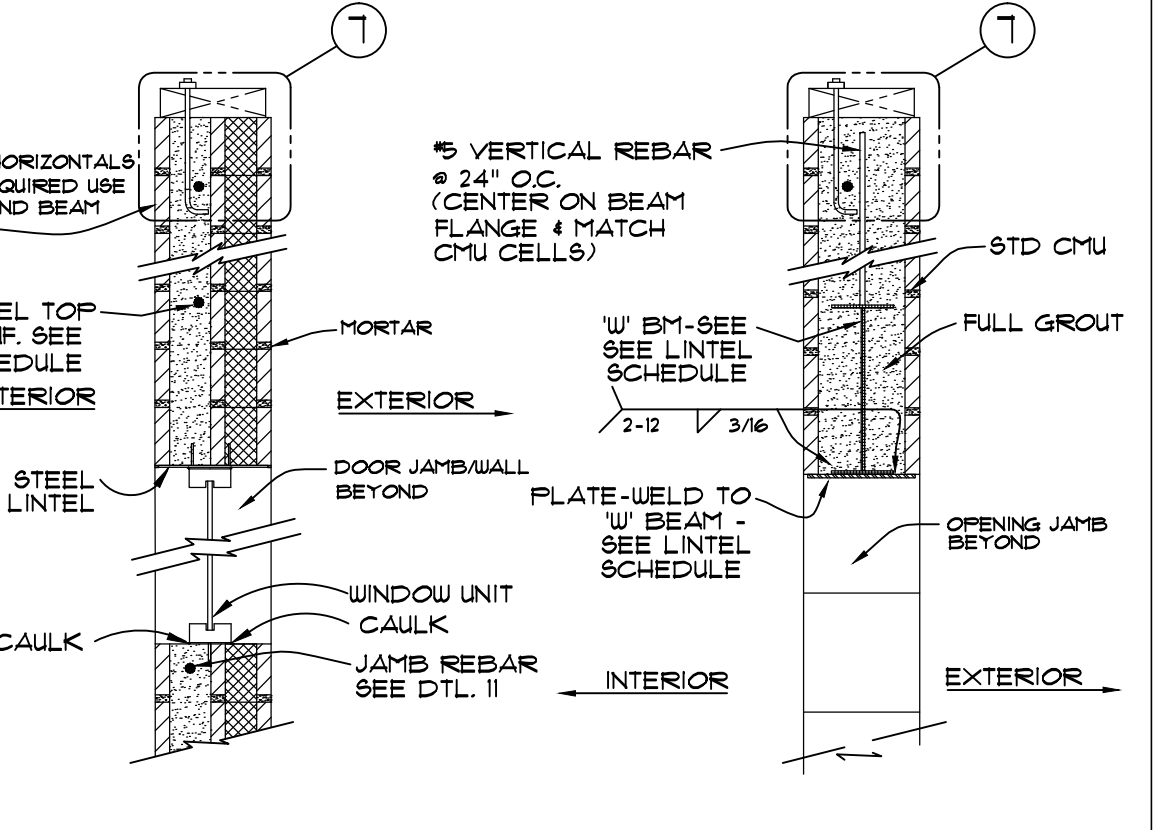
1 EXTERIOR WALL FOOTING - CONCRETE STEM SCALE: NT5



1A EXTERIOR WALL FOOTING - CMU STEM SCALE: NT5



2 DEPRESSED STEM @ OPENING SCALE: NT5



3 TYPICAL LINTEL @ SCALE: NT5 3A 'W' BEAM (WHEN USED) SCALE: NT5

**JOB SPECIFICATIONS**  
OMNI BLOCK ENGINEERING SUMMARY SHEET

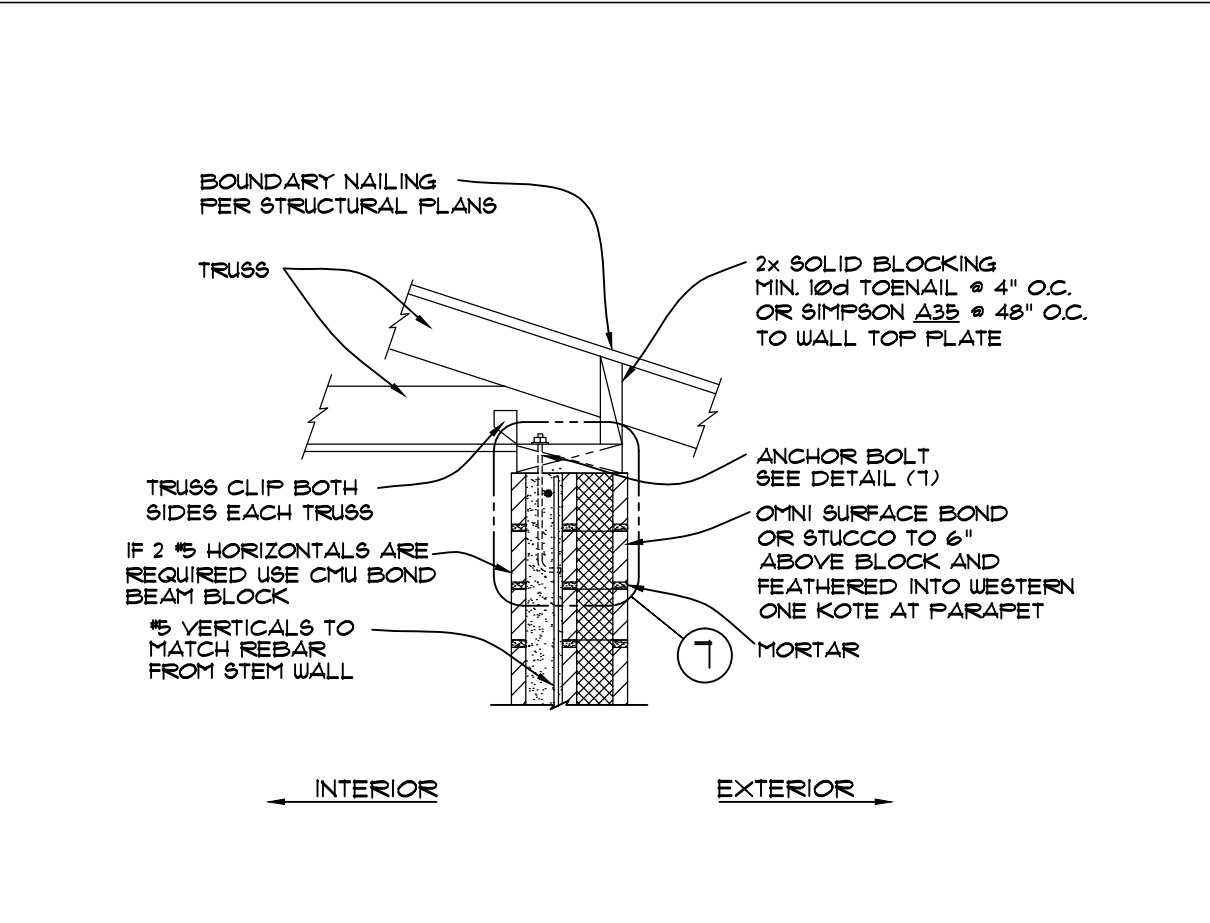
GRADE OF STEEL: 40 GROUT: 2020 psi MORTAR TYPE: \_\_\_\_\_

**REINFORCEMENT SCHEDULE:**

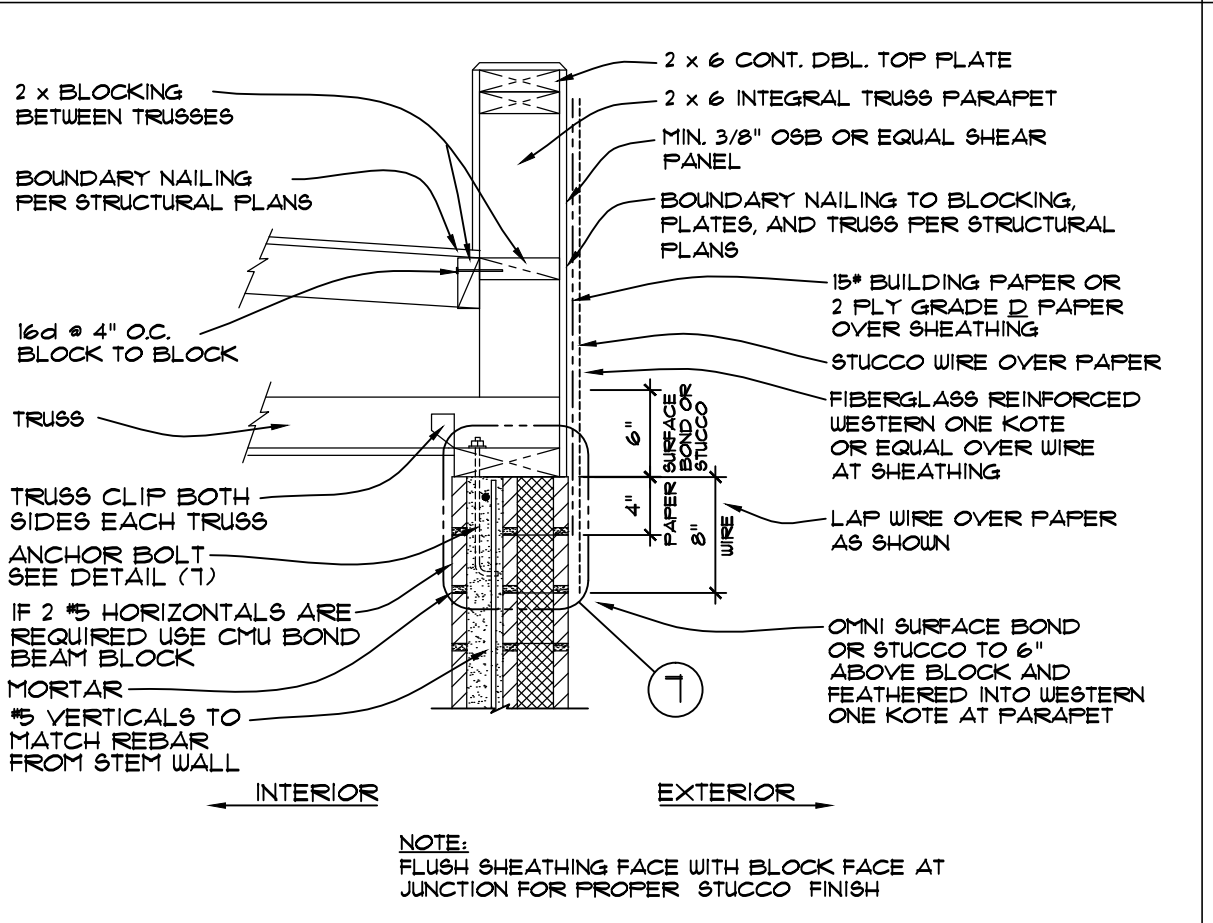
WALL HEIGHT	VERTICAL STEEL		BOND BEAM'S		TOP OF WALL		TOP OF STEM	
	QTY.	•	QTY.	•	QTY.	•	QTY.	•

**LINTEL SCHEDULE:**

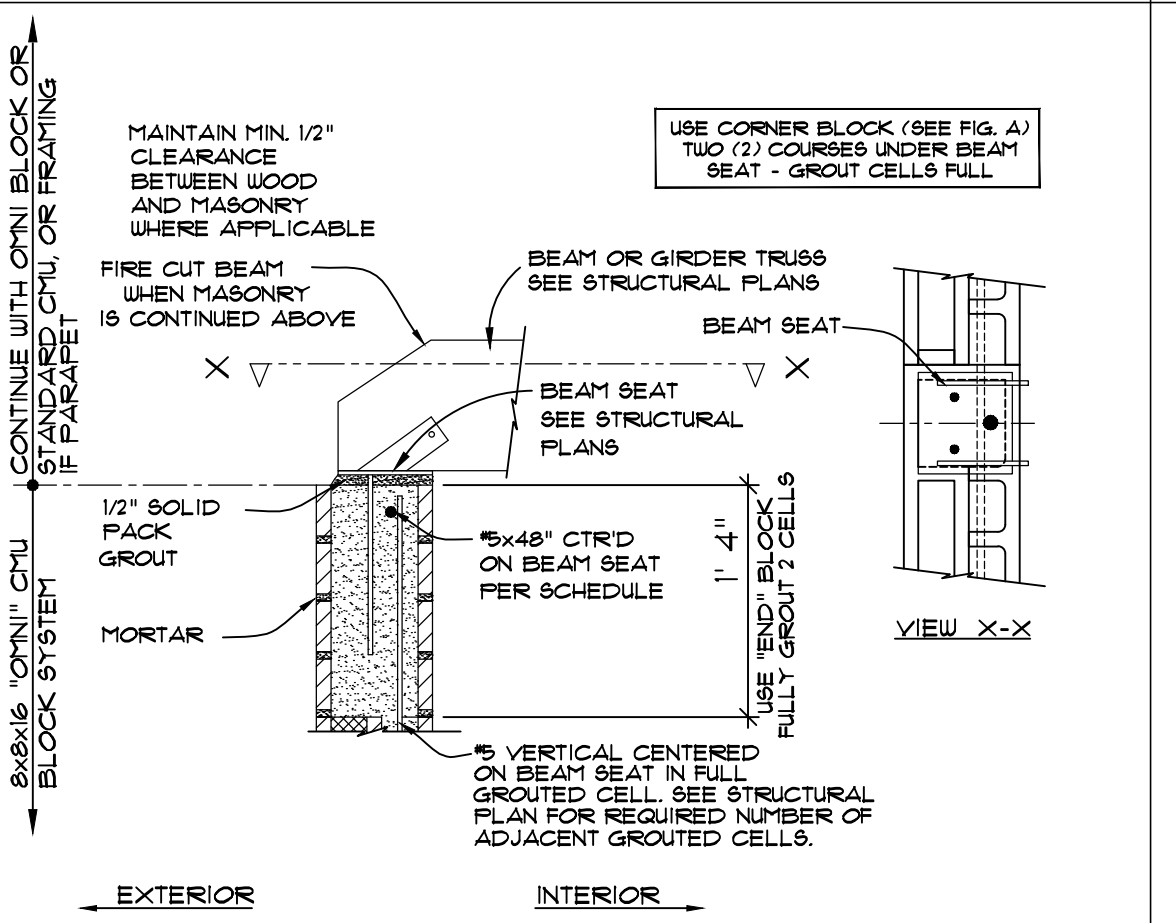
Mark	LINTEL SPECIFICATIONS				FIGURE (LETTER)
	TYPE	SHEAR STEEL	TOP STEEL	GROUT WIDTH	



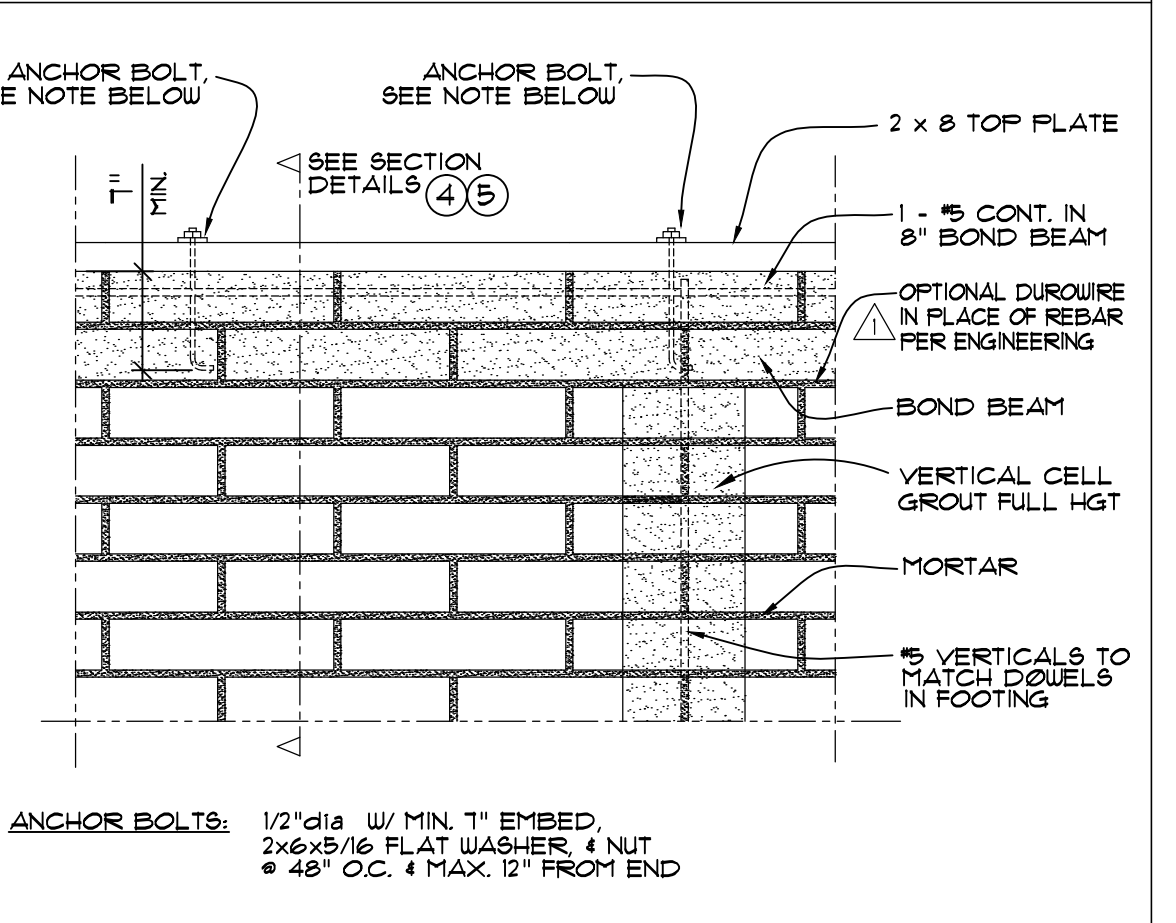
4 BOND BEAM - WITH ROOF TRUSS & EAVE SCALE: NT5



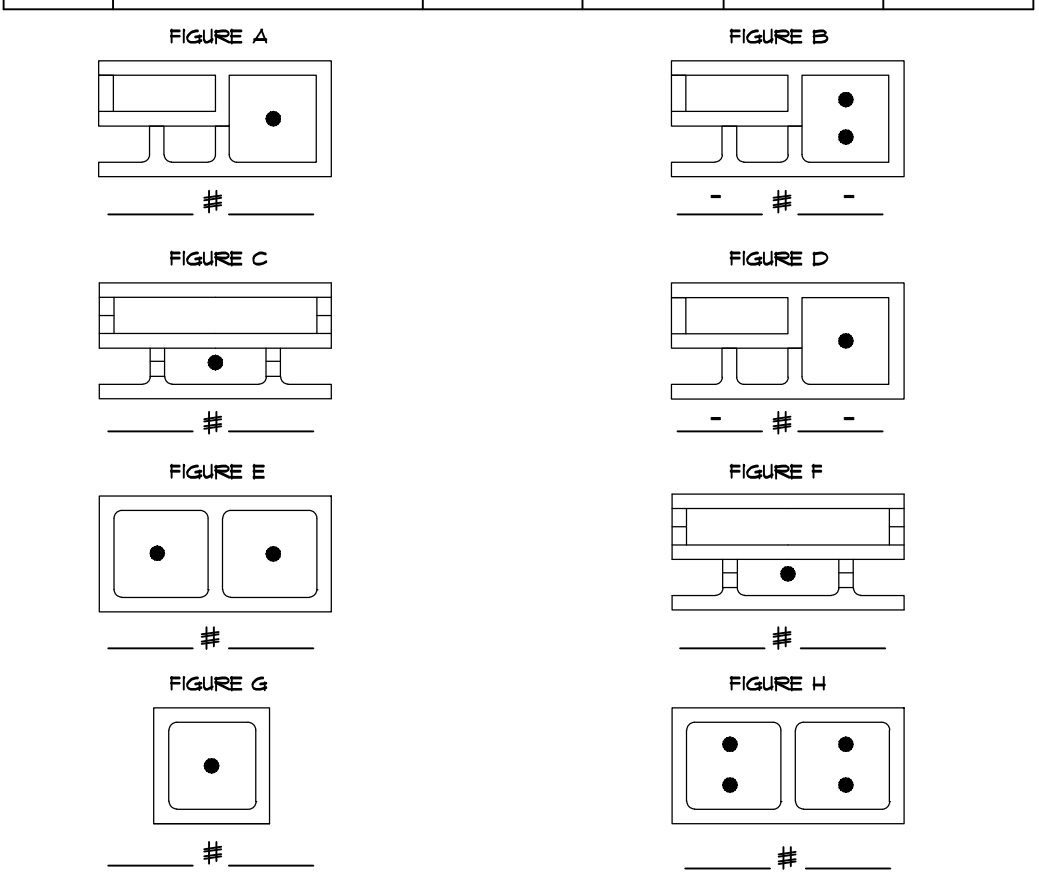
5 BOND BEAM - WITH ROOF TRUSS PARAPET SCALE: NT5



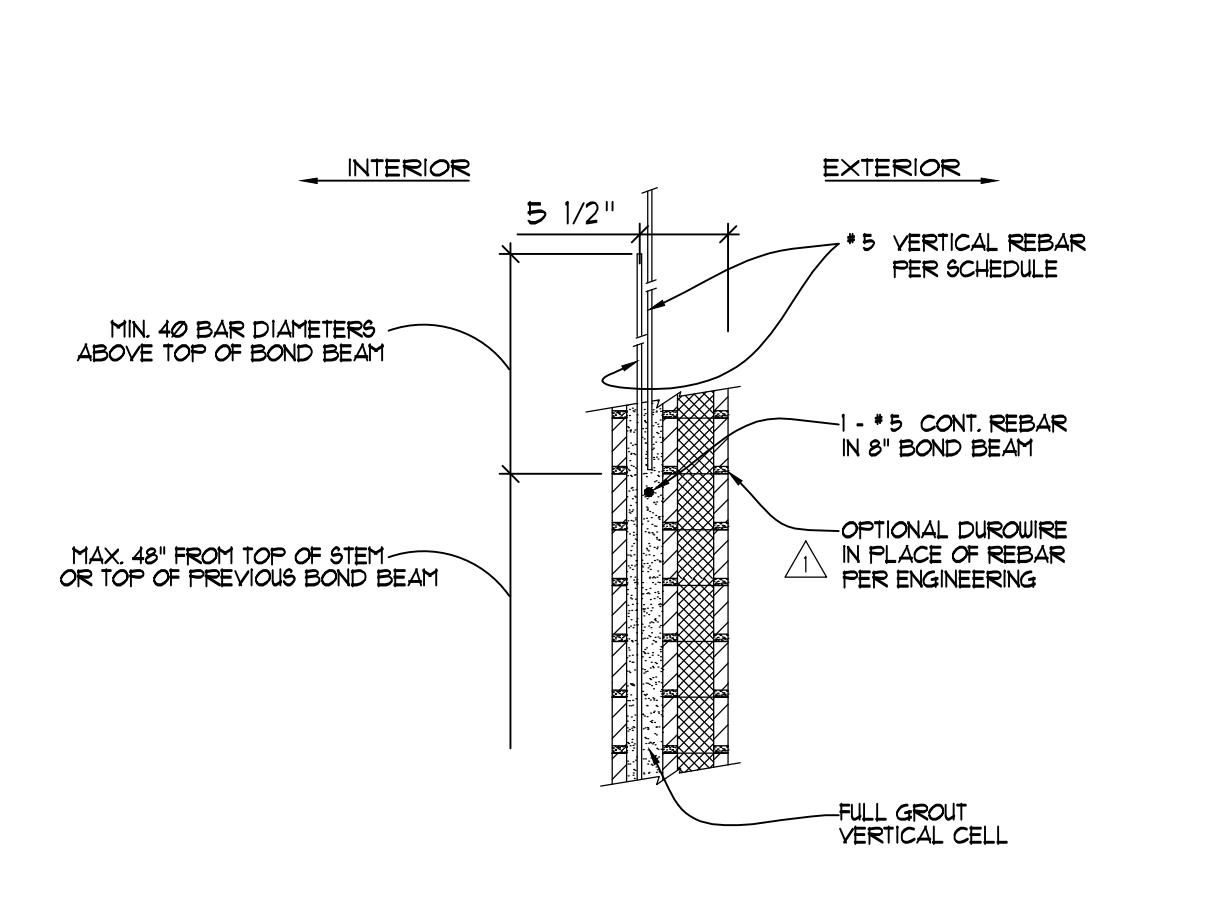
6 BEAM OR TRUSS @ CMU SCALE: NT5



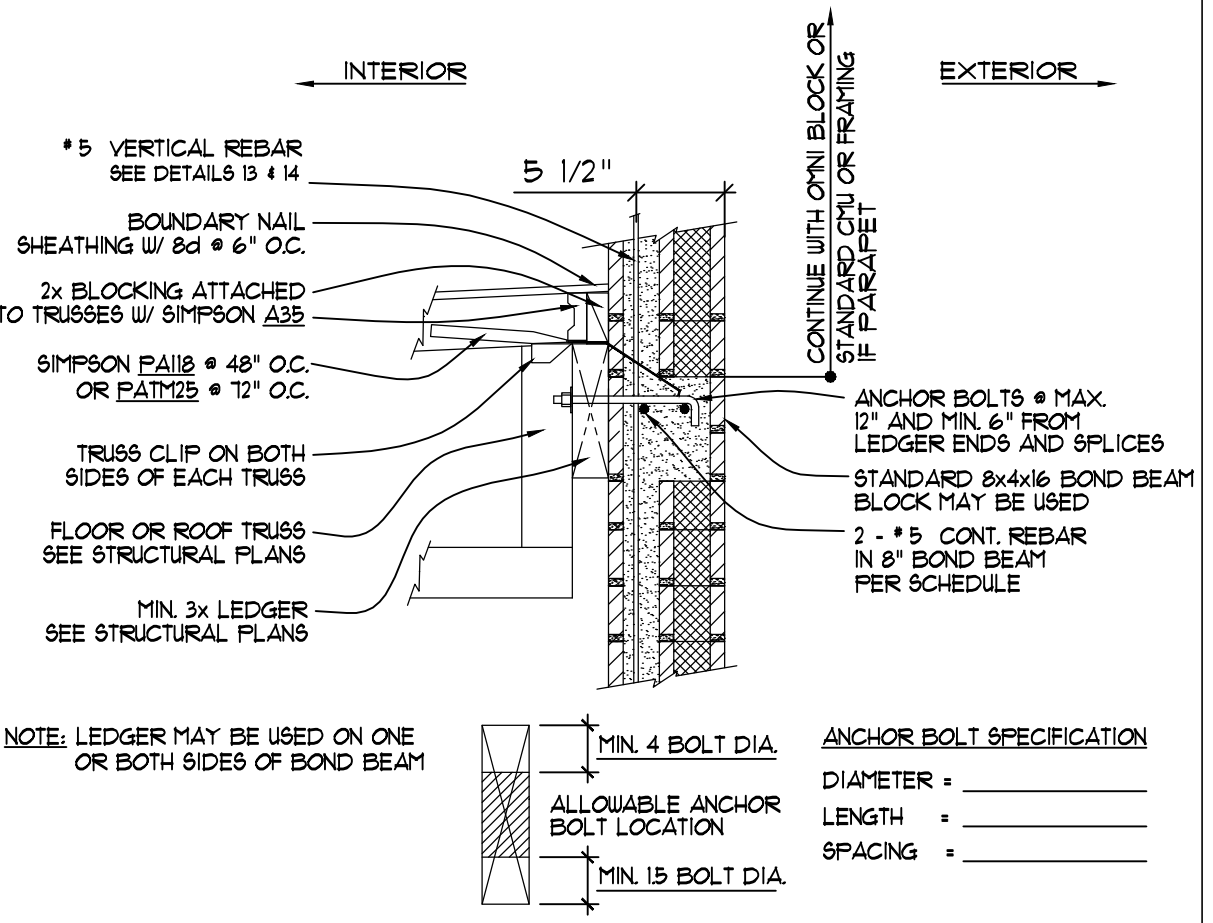
7 WALL TO ROOF / ANCHOR PLATE SCALE: NT5



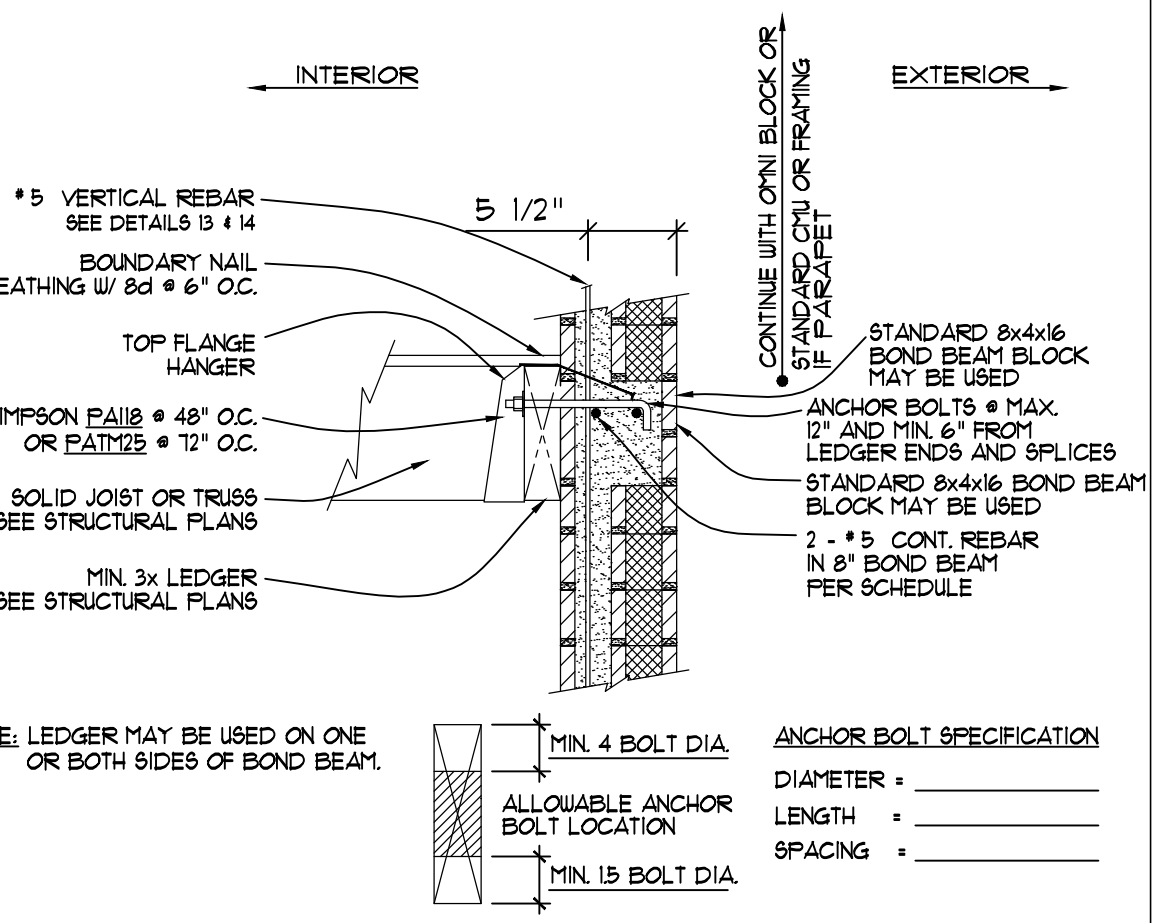
16 UNLESS NOTED OTHERWISE, ALL CMU ARE 'OMNI' SYSTEM. VERIFY ALL DETAILS AGAINST ENGINEERING CALCULATIONS SCALE: NT5



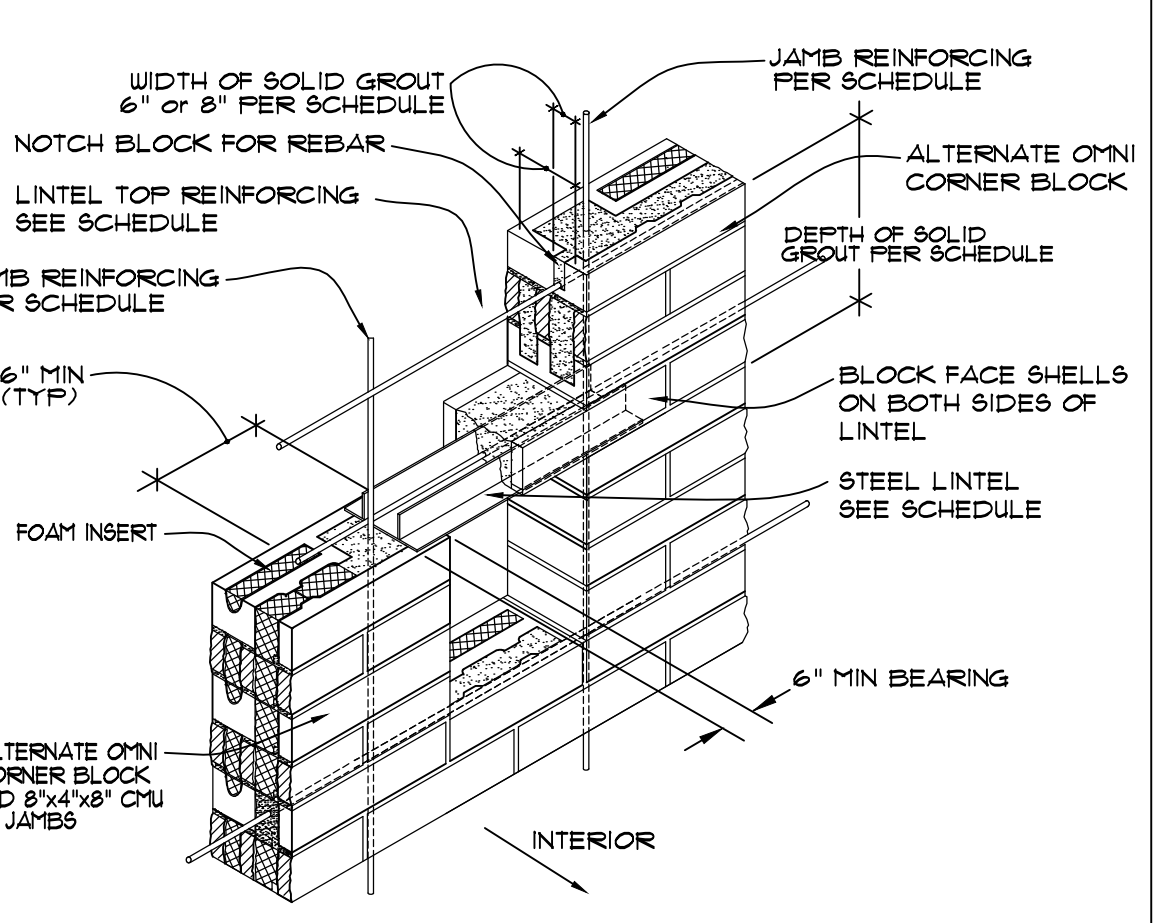
8 BOND BEAM - MID WALL SCALE: NT5



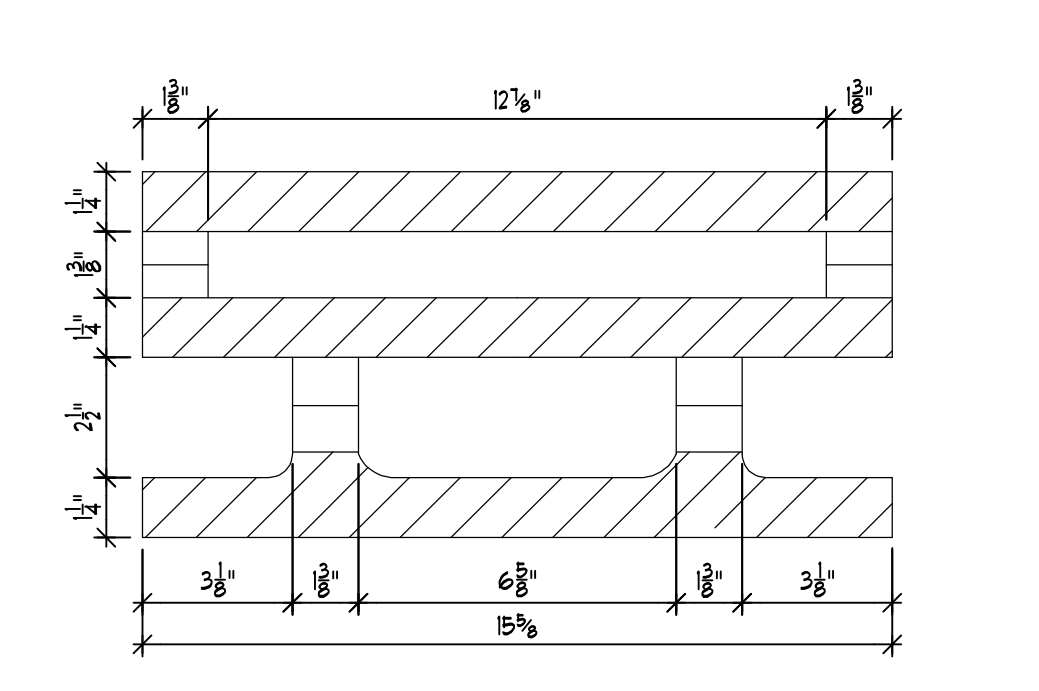
9 LOAD BEARING LEDGER WITH TRUSS TOP CHORD SUPPORT SCALE: NT5



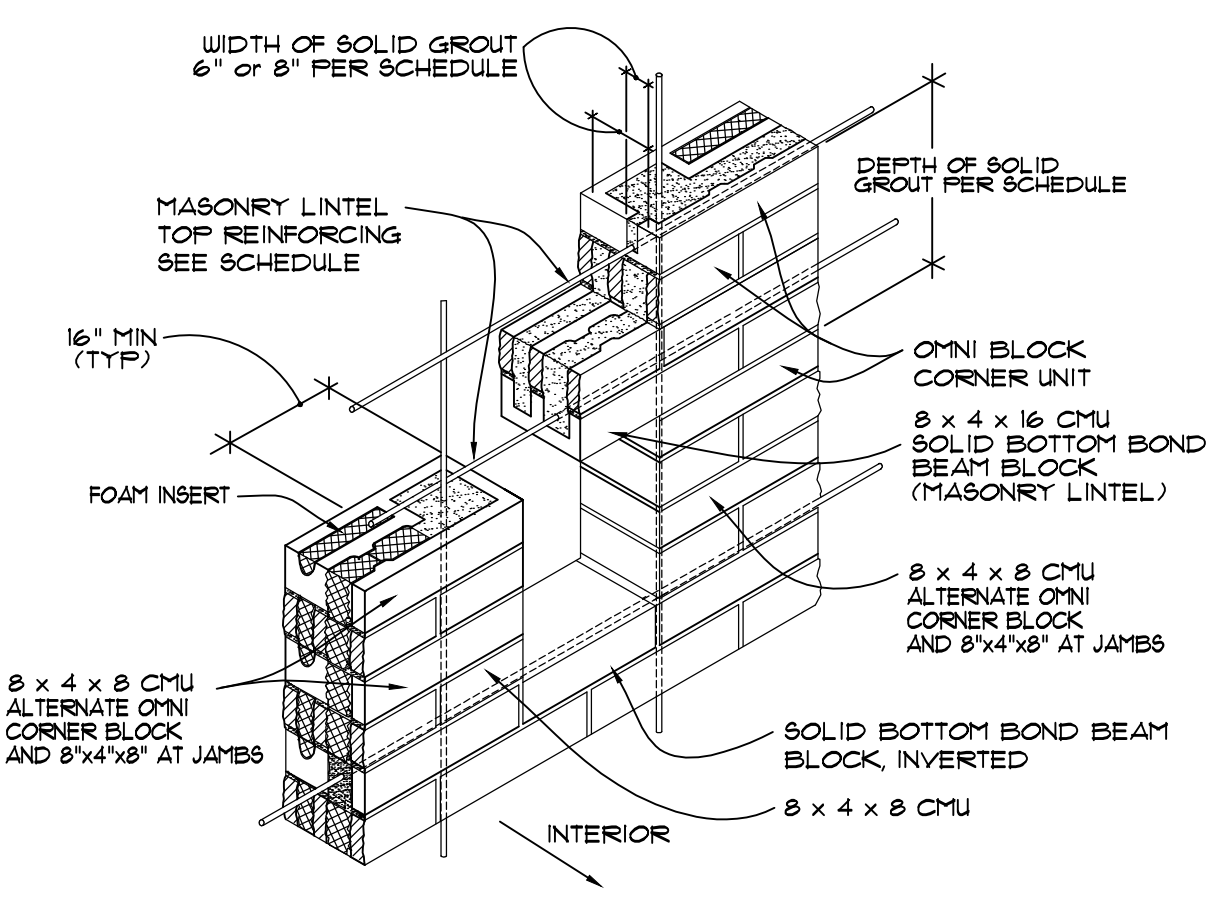
10 LOAD BEARING LEDGER WITH JOIST HANGER SCALE: NT5



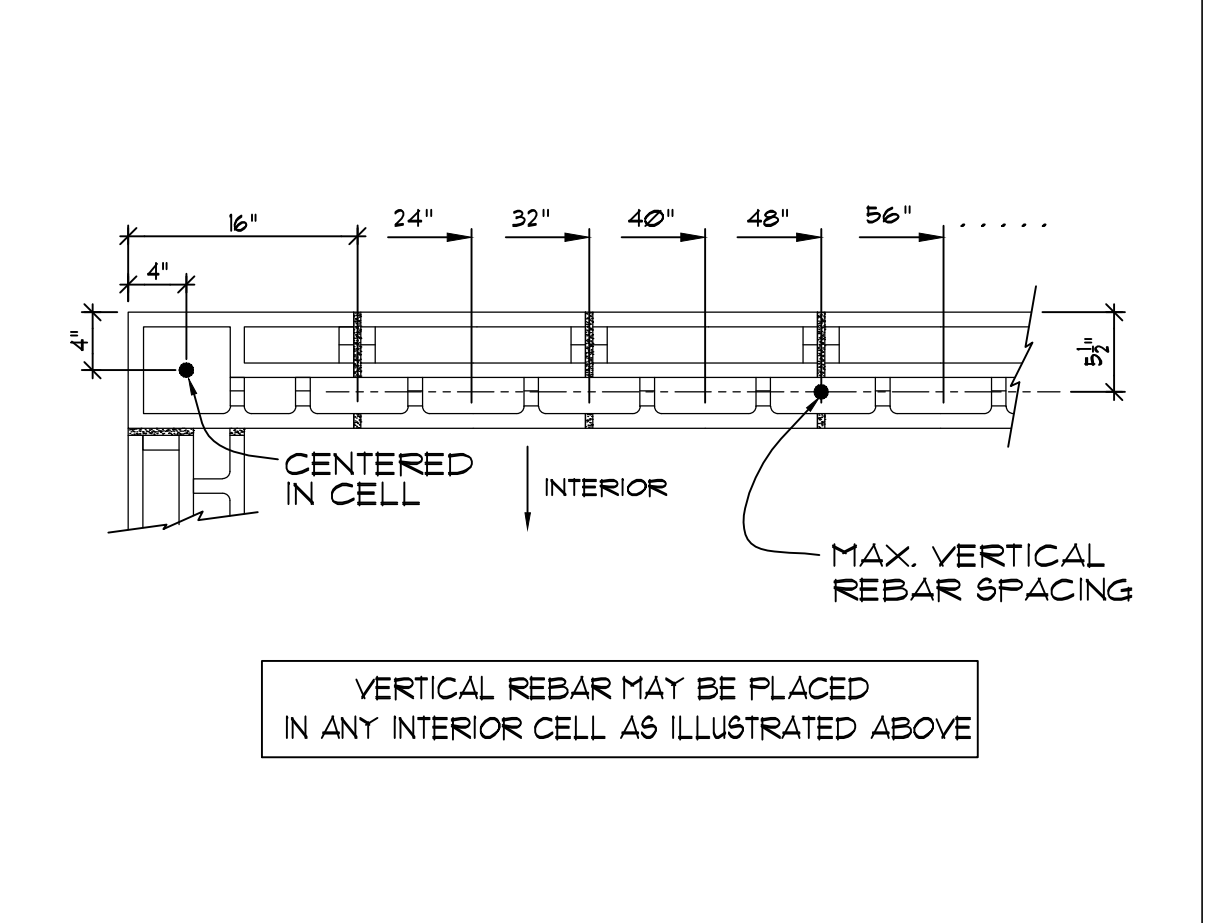
11 WINDOW / DOOR LINTEL DETAIL



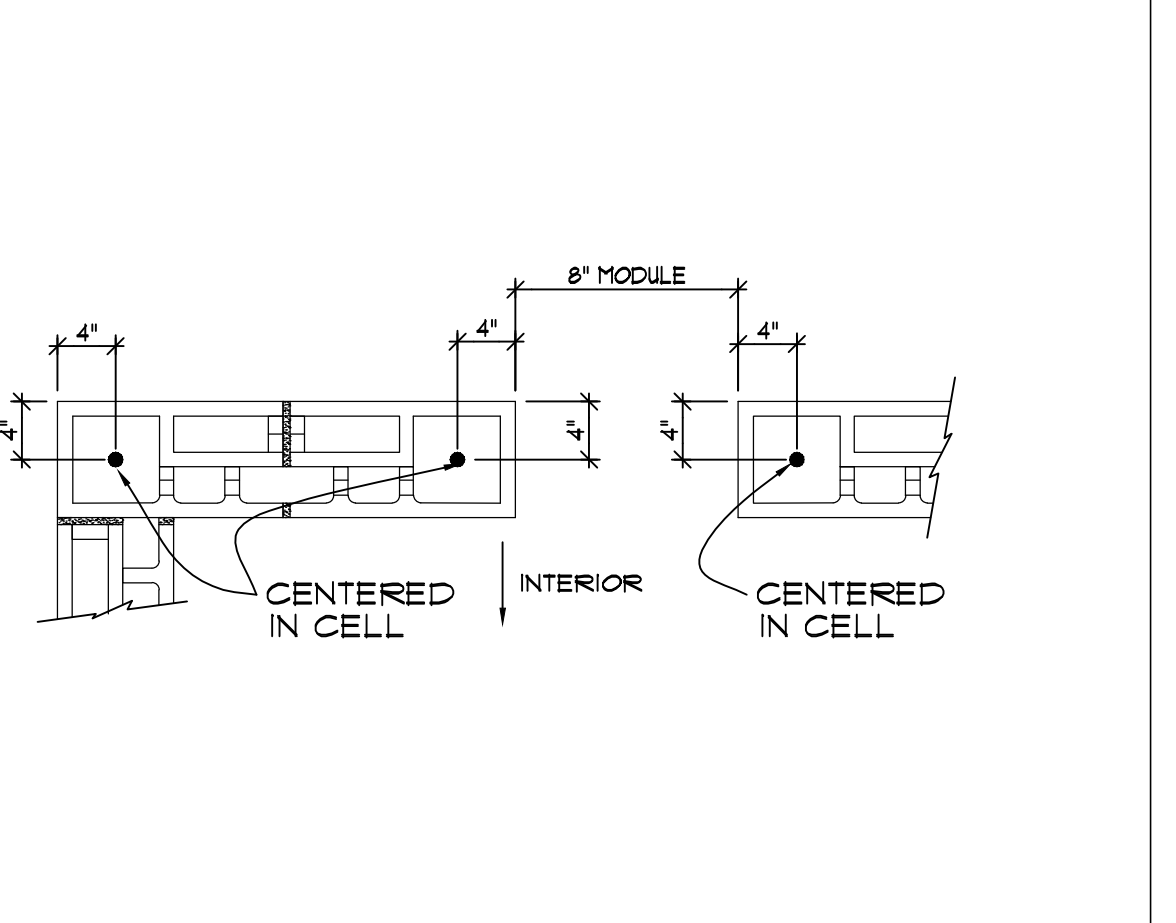
17 BLOCK DETAIL 5403 NT5



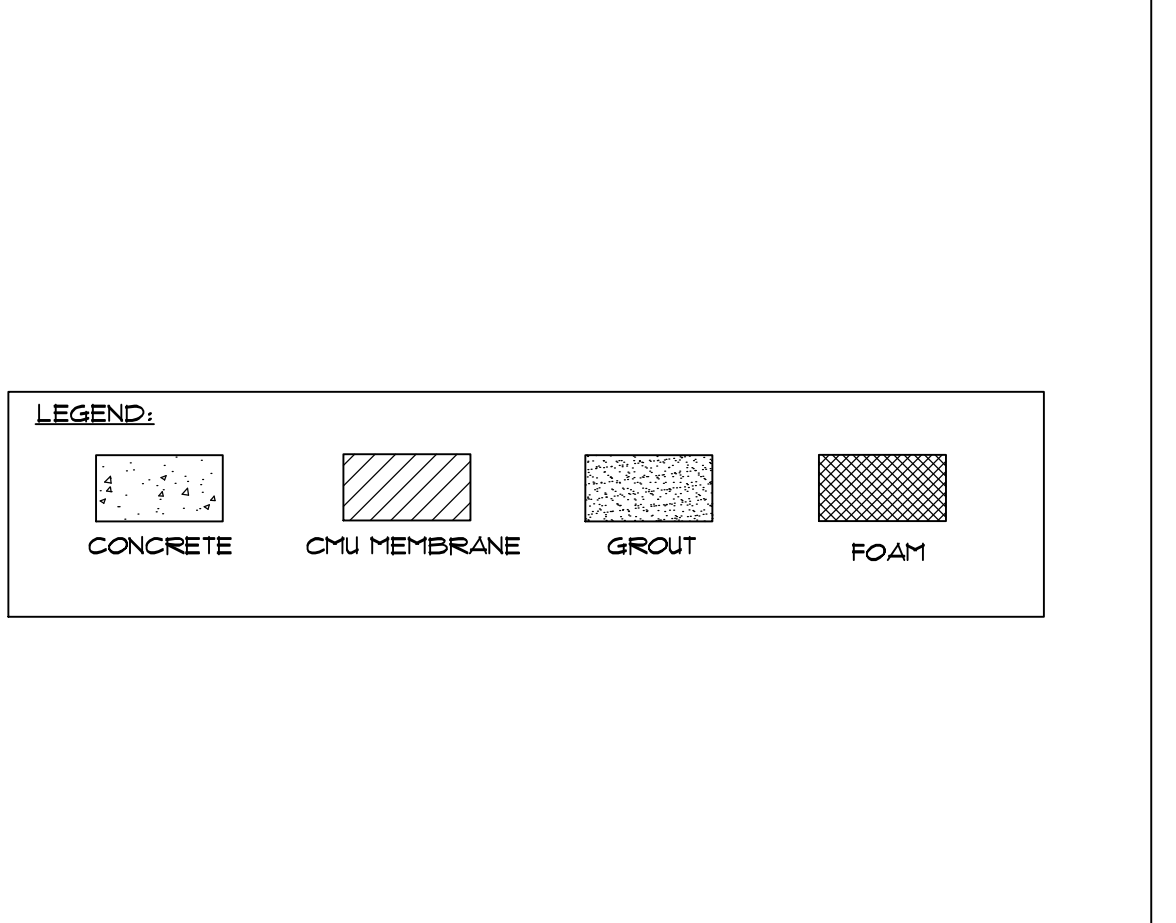
12 WINDOW/DOOR SILL AND LINTEL FOR EXPOSED CMU SCALE: NT5



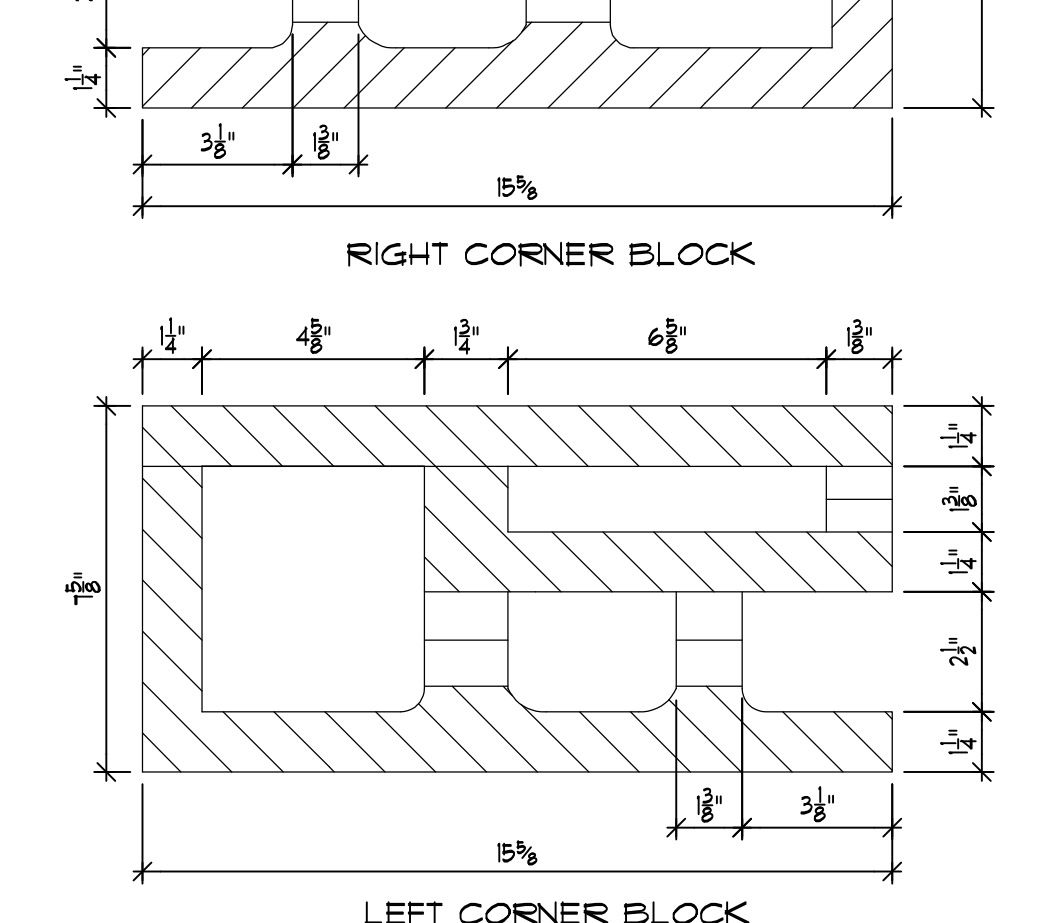
13 VERTICAL REBAR PLACEMENT - STANDARD WALL SCALE: NT5



14 REBAR PLACEMENT AT WINDOW & DOOR OPENINGS SCALE: NT5



15 LEGEND SCALE: NT5



17 BLOCK DETAIL 5403 NT5

**Omni Block**  
AN INSULATED CONCRETE BLOCK

WWW.OMNIBLOCK.COM  
5940 S. Rainbow Blvd #1003, Las Vegas, NV 89118  
Tel/Fax: (811) 711-OMNI (6664)  
info@omniblock.com

OMNI BLOCK - HALF HIGH  
STANDARD 8"x4"x16"  
DESIGN DETAILS  
V. 4.2

**REVISIONS:**

BY:	DATE:
△ 9/9/13	JR
√ 4.1	JR
△ 9/25/13	JR
√ 4.2	JR

BY: JR  
CHECKED BY: DRM  
DATE: 9/25/2013  
FILE: 5-403-PLT

**SHEET**  
54.3