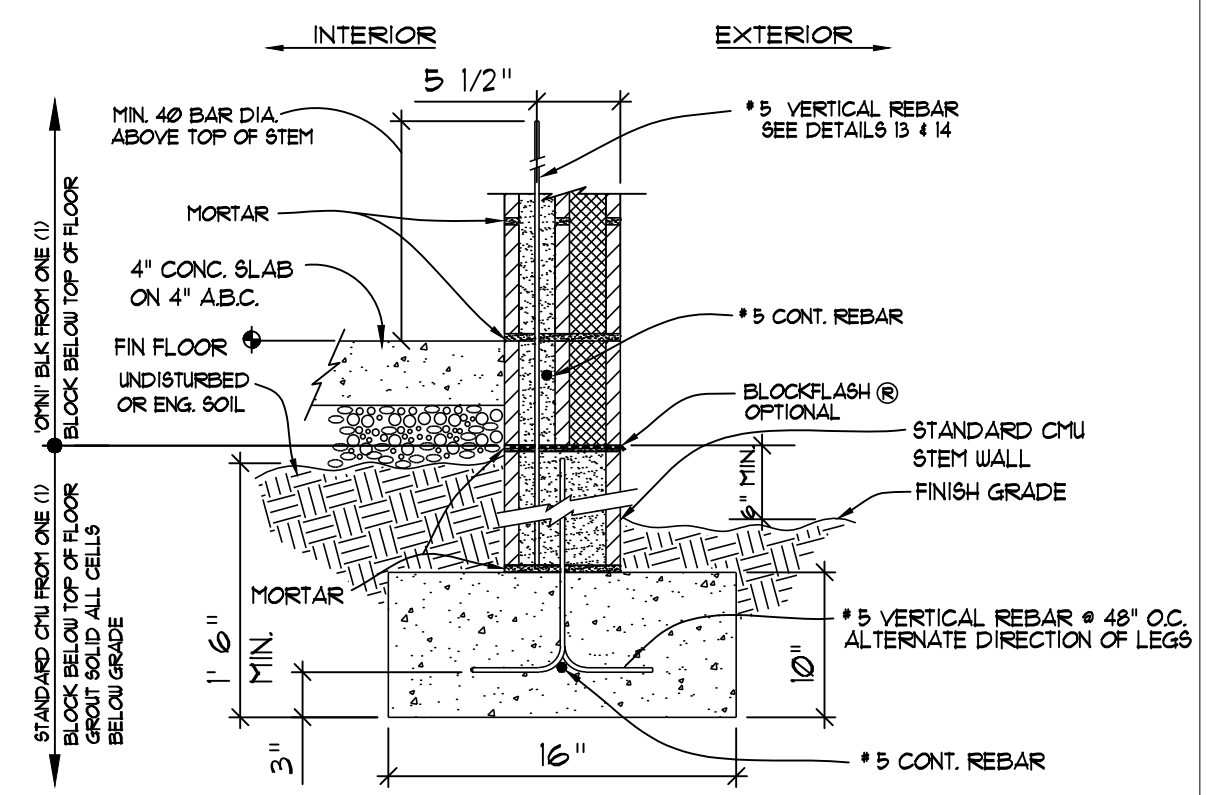
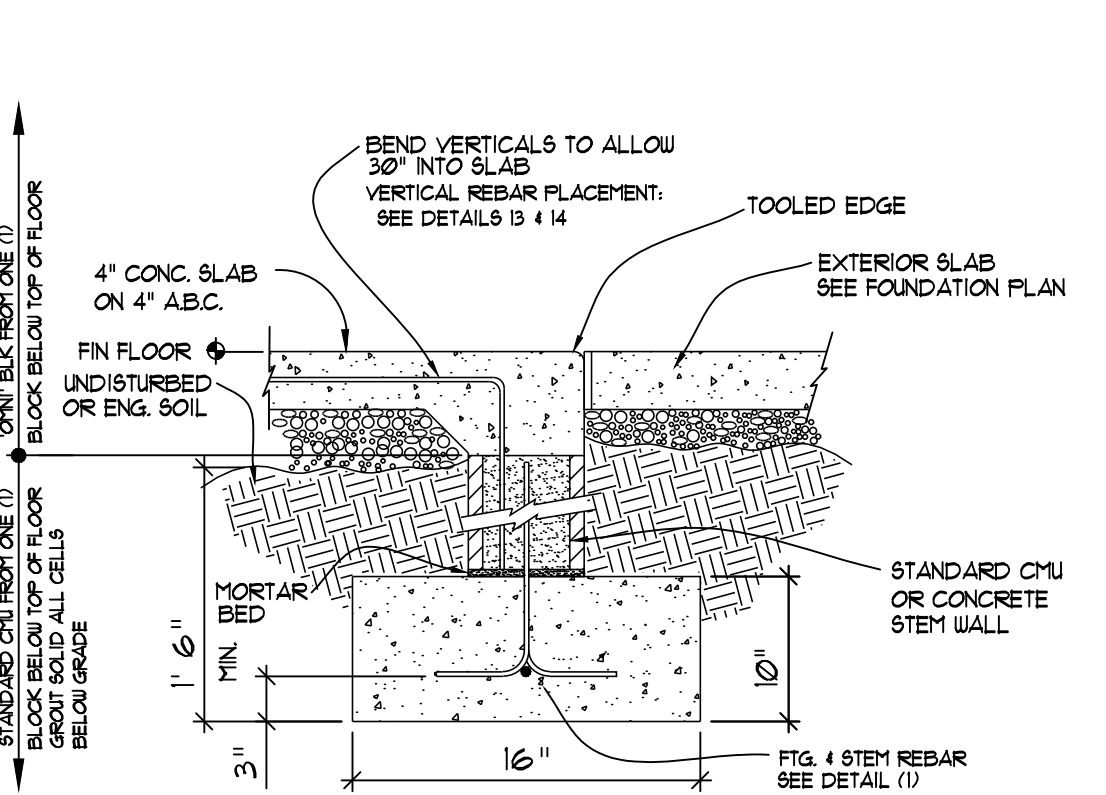


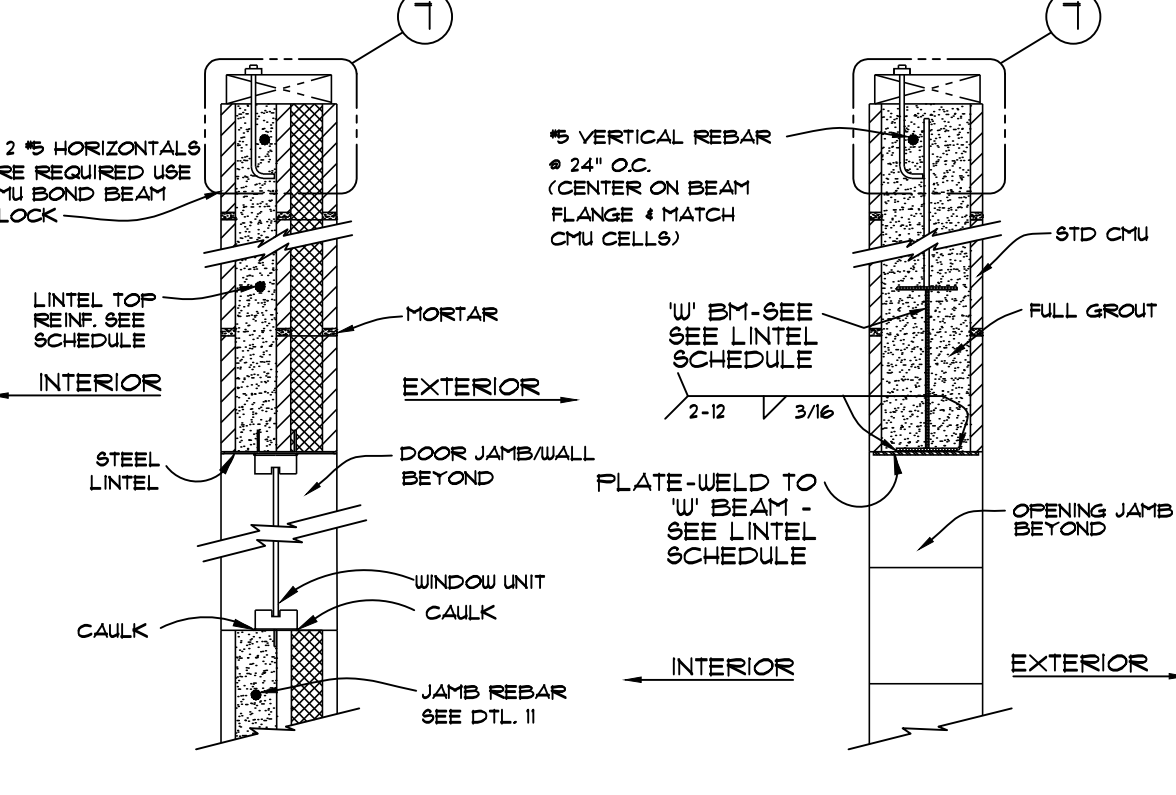
1 EXTERIOR WALL FOOTING - CONCRETE STEM
SCALE: NTS



1A EXTERIOR WALL FOOTING - CMU STEM
SCALE: NTS



2 DEPRESSED STEM @ OPENING
SCALE: NTS



3 TYPICAL LINTEL @ OPENING
SCALE: NTS

JOB SPECIFICATIONS
OMNI BLOCK ENGINEERING SUMMARY SHEET

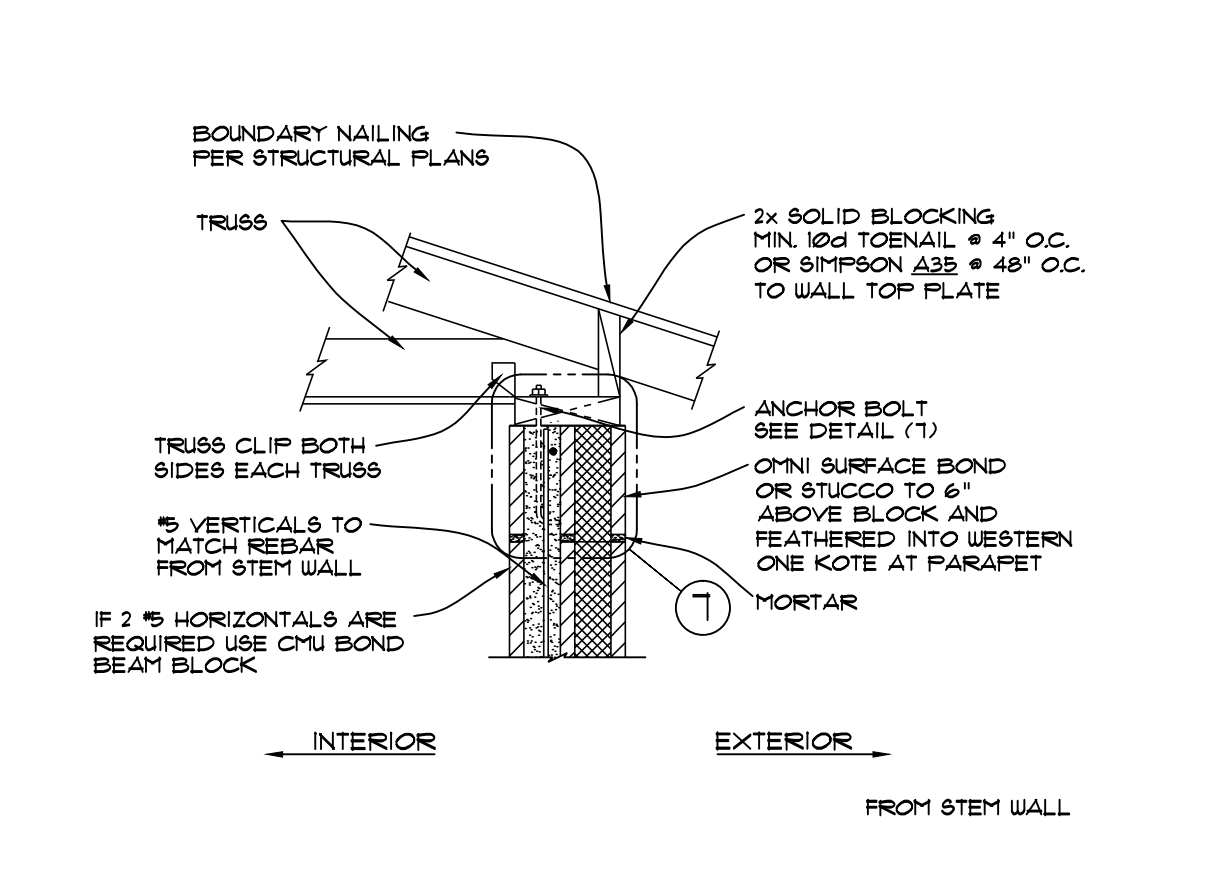
GRADE OF STEEL: 40 GROUT: 2000 psi MORTAR TYPE _____

REINFORCEMENT SCHEDULE:

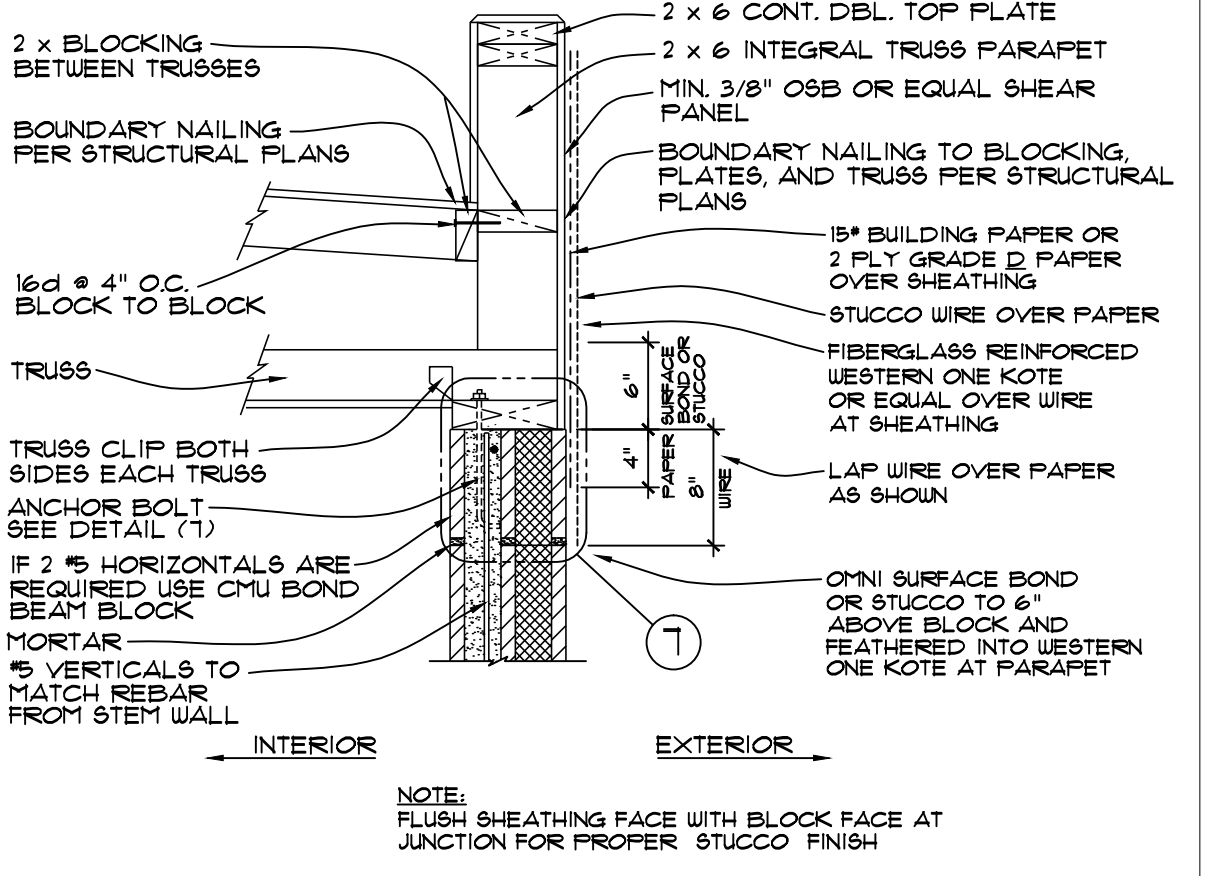
WALL HEIGHT	VERTICAL STEEL		BOND BEAM'S		TOP OF WALL		TOP OF STEM	
	QTY.	•	QTY.	•	QTY.	•	QTY.	•

LINTEL SCHEDULE:

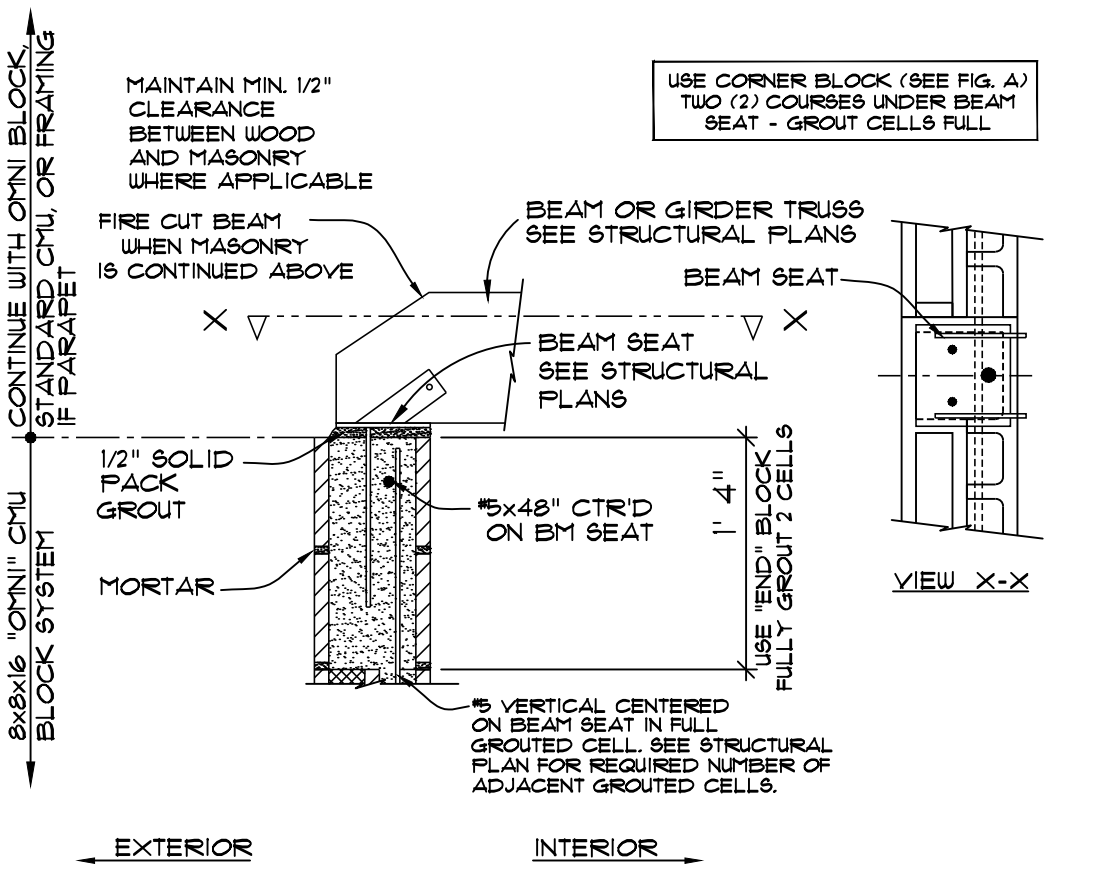
Mark	LINTEL SPECIFICATIONS				FIGURE (LETTER)
	TYPE	SHEAR STEEL	TOP STEEL	GROUT WIDTH	



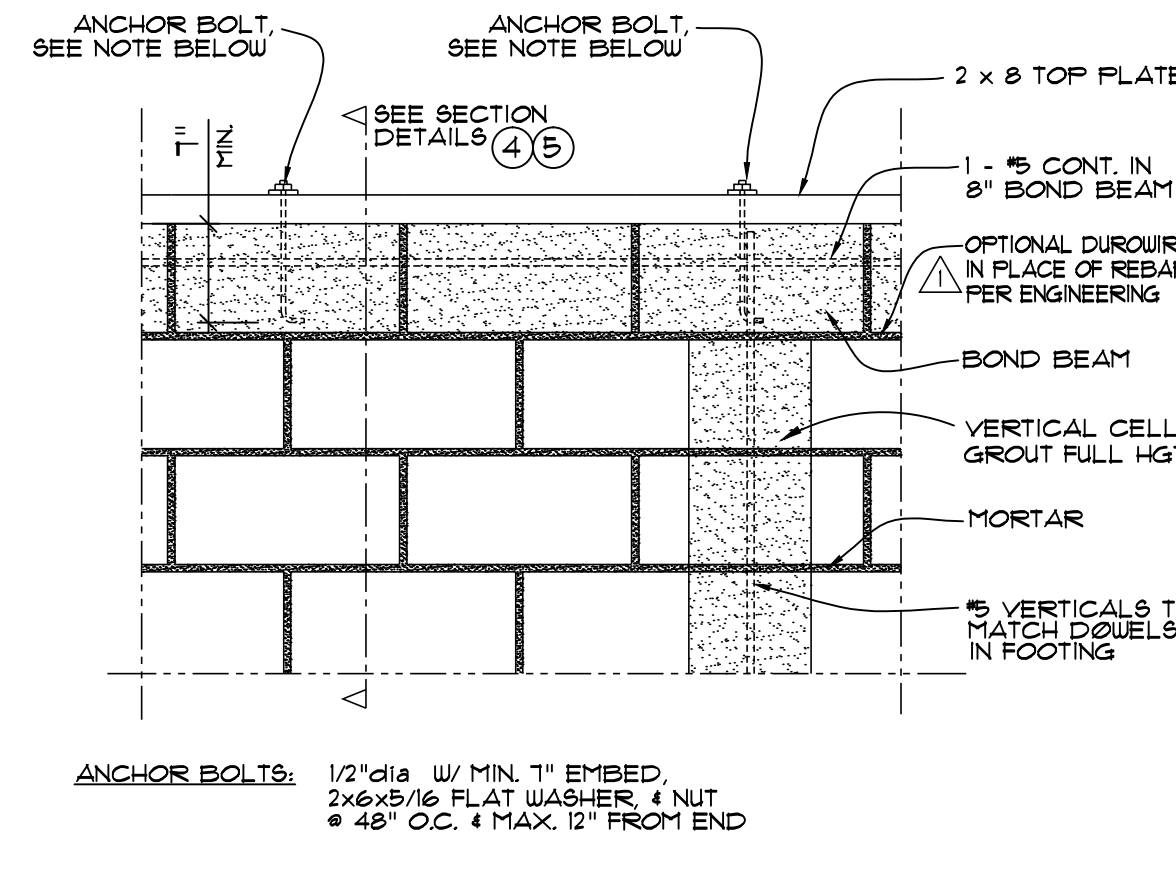
4 BOND BEAM - WITH ROOF TRUSS & EAVE
SCALE: NTS



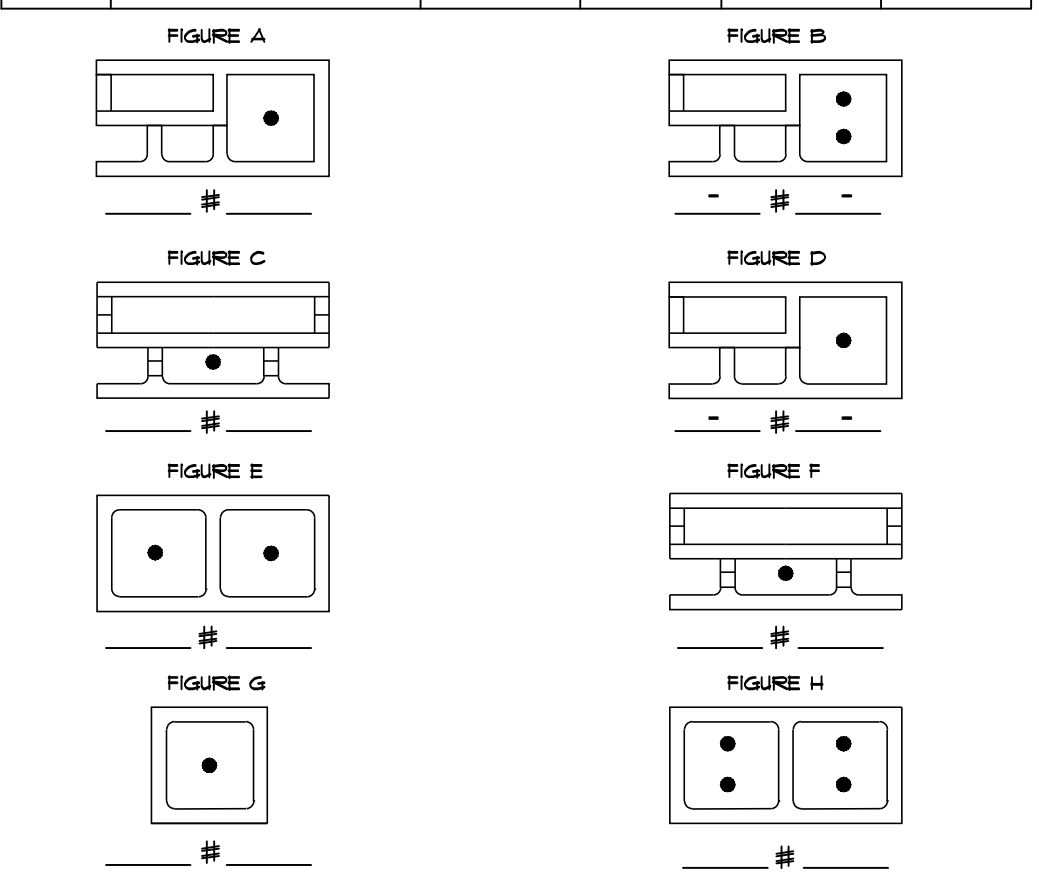
5 BOND BEAM - WITH ROOF TRUSS PARAPET
SCALE: NTS



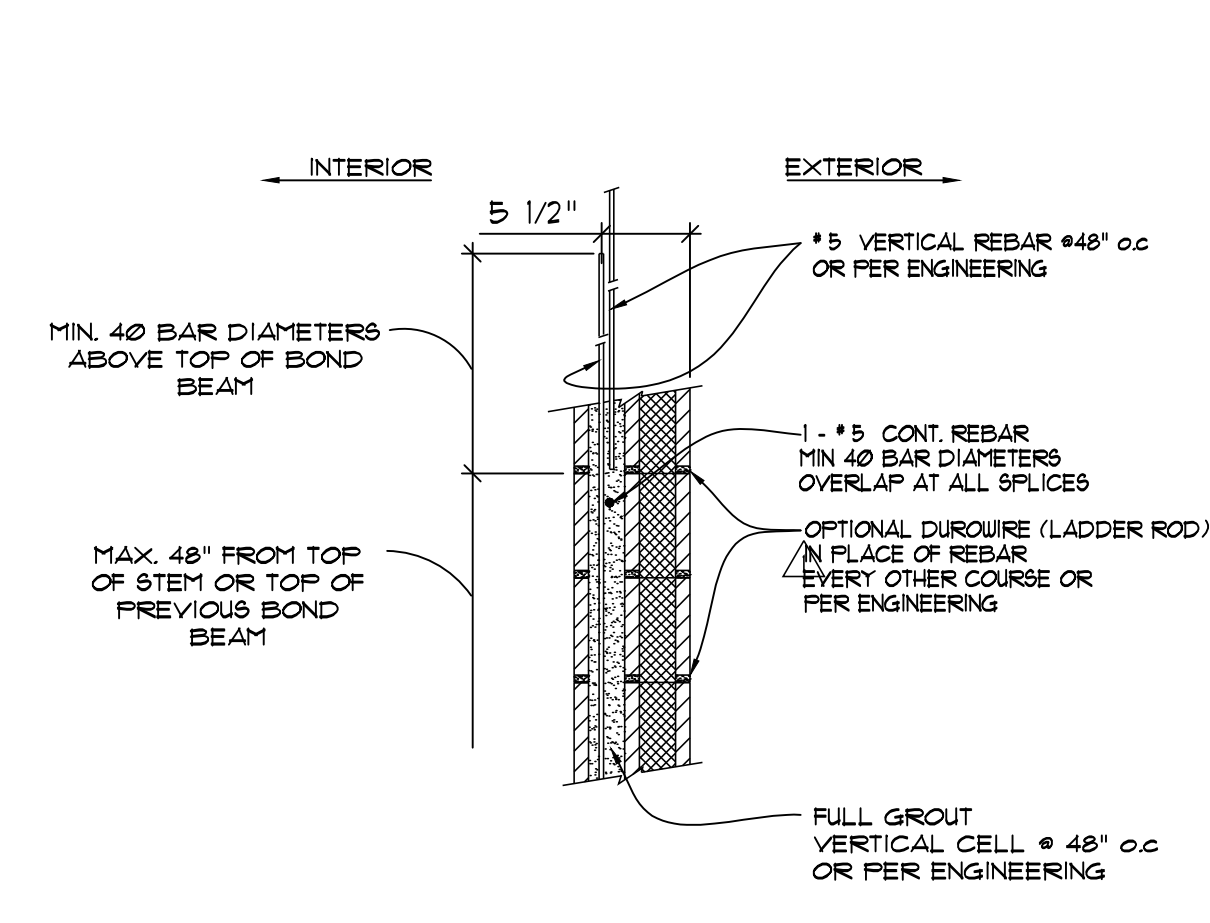
6 BEAM OR TRUSS @ CMU
SCALE: NTS



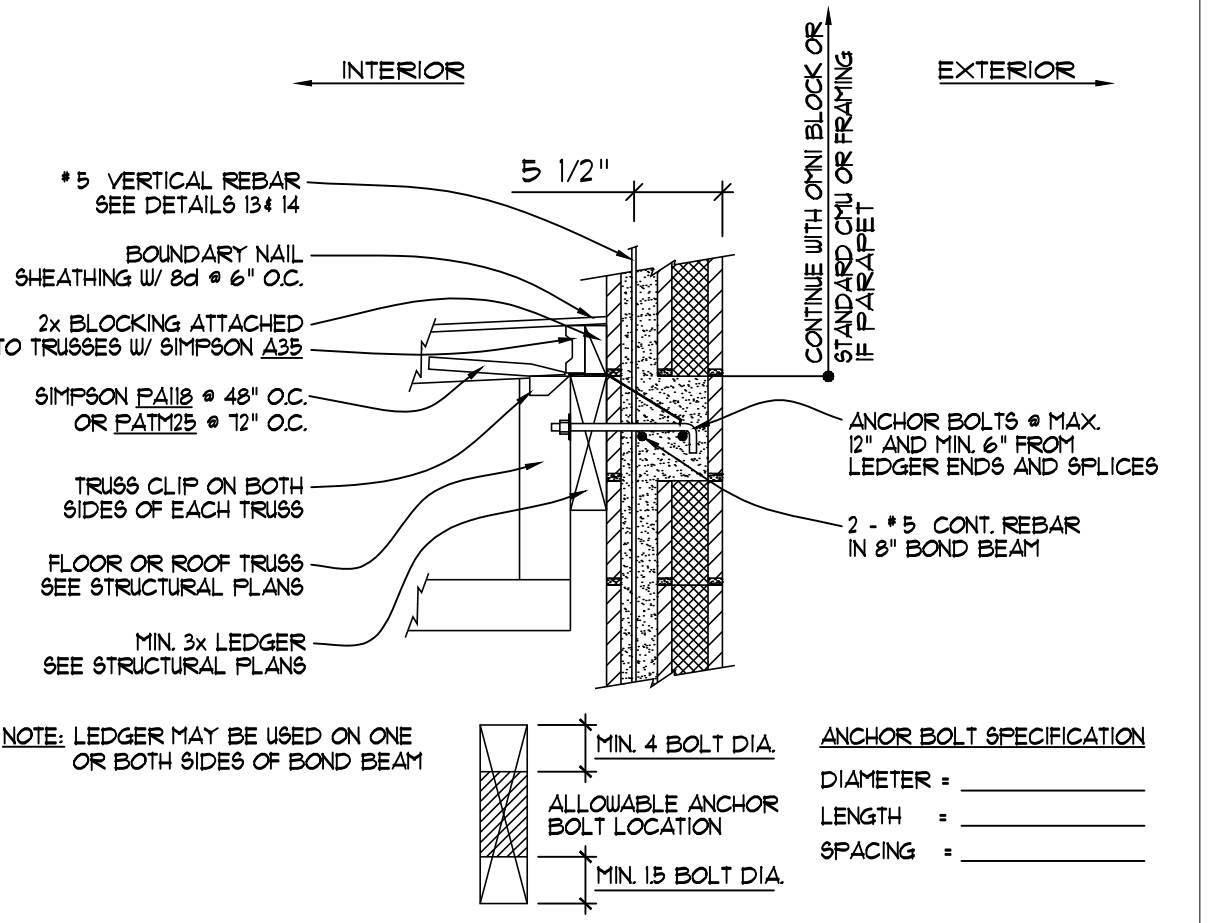
7 WALL TO ROOF / ANCHOR PLATE
SCALE: NTS



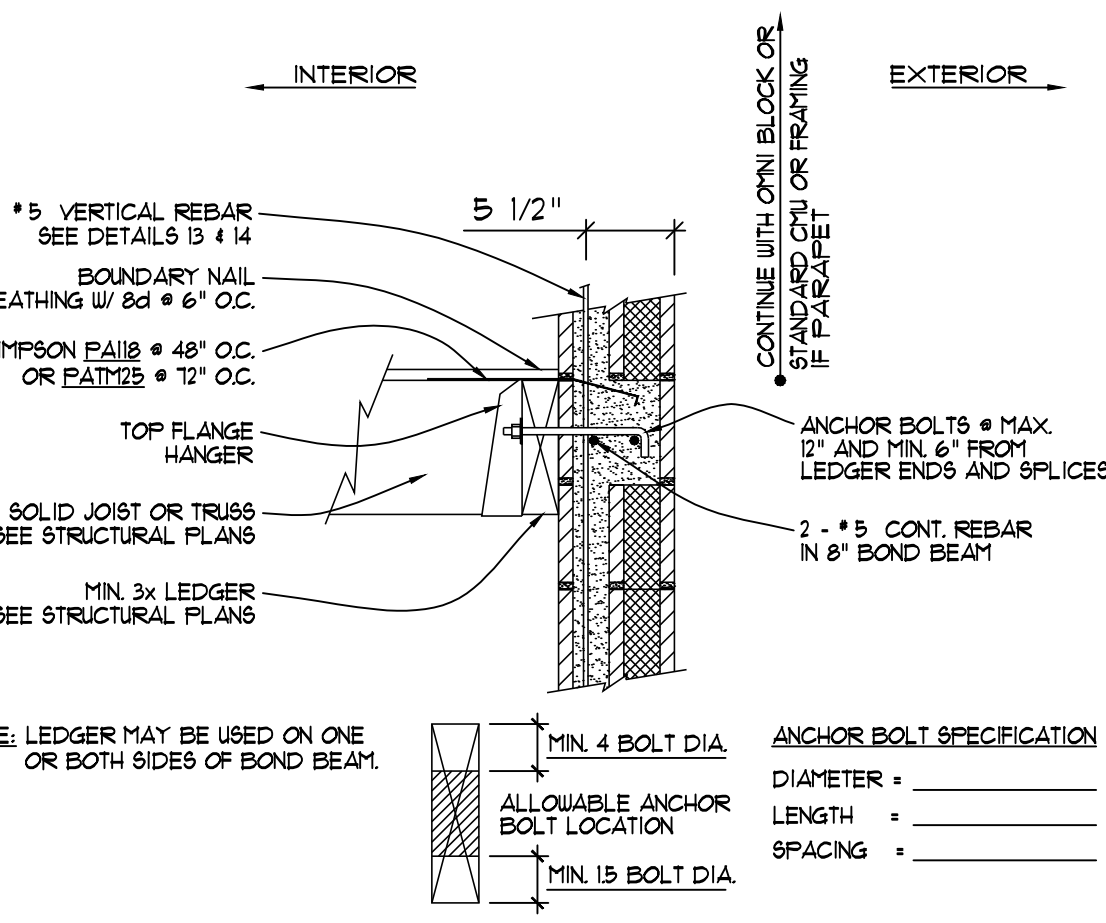
16 UNLESS NOTED OTHERWISE, ALL CMU ARE 'OMNI' SYSTEM. VERIFY ALL DETAILS AGAINST ENGINEERING CALCULATIONS
SCALE: NTS



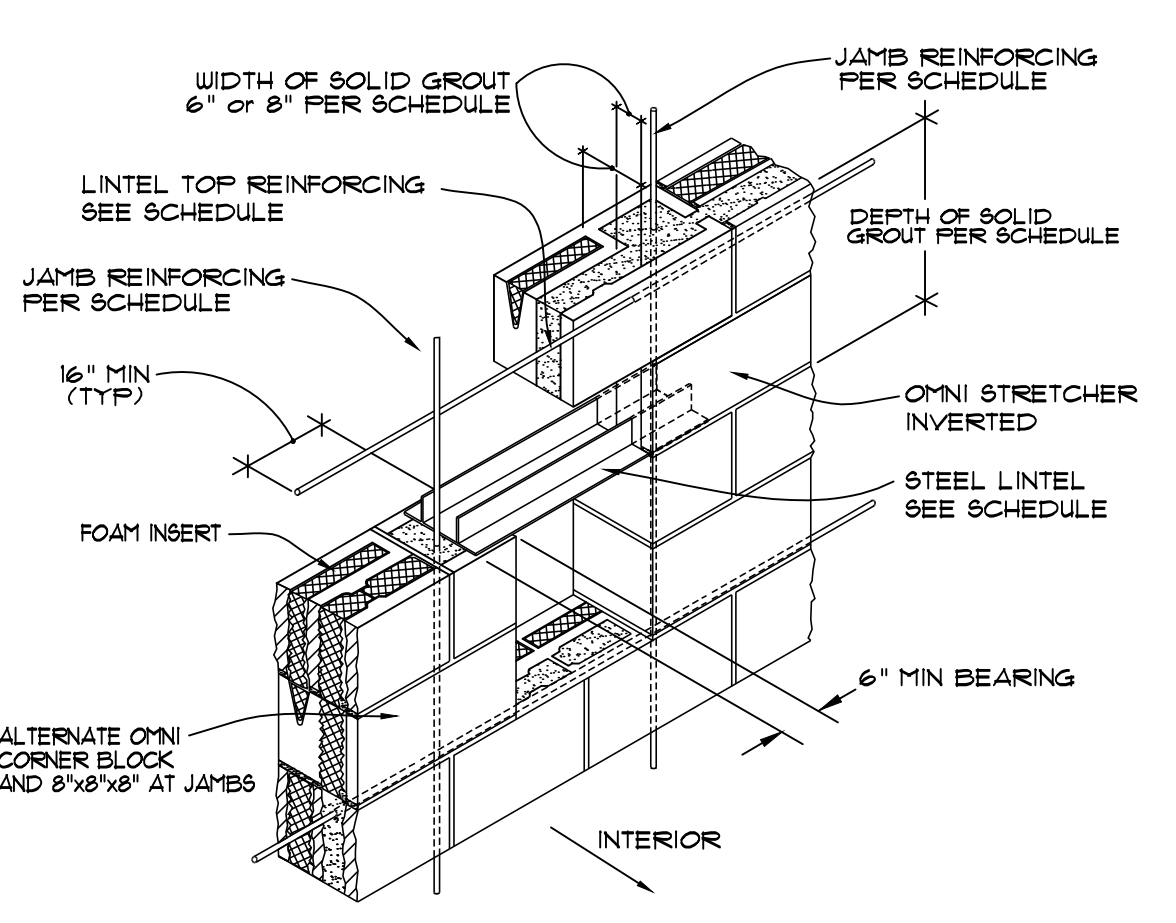
8 BOND BEAM - MID WALL
SCALE: NTS



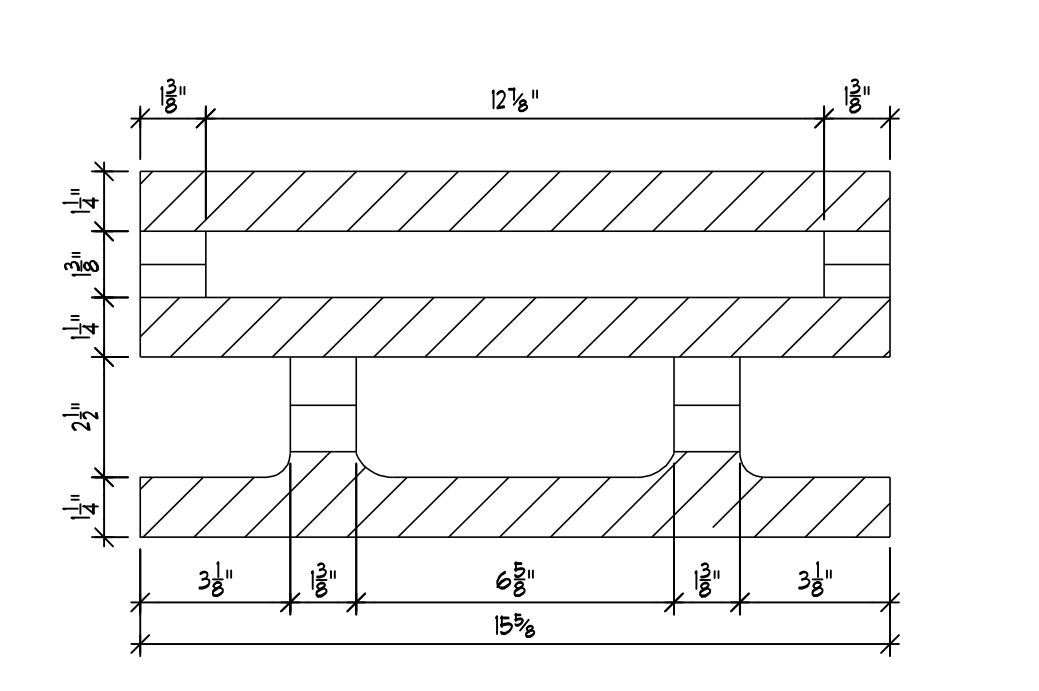
9 LOAD BEARING LEDGER WITH TRUSS TOP CHORD SUPPORT
SCALE: NTS



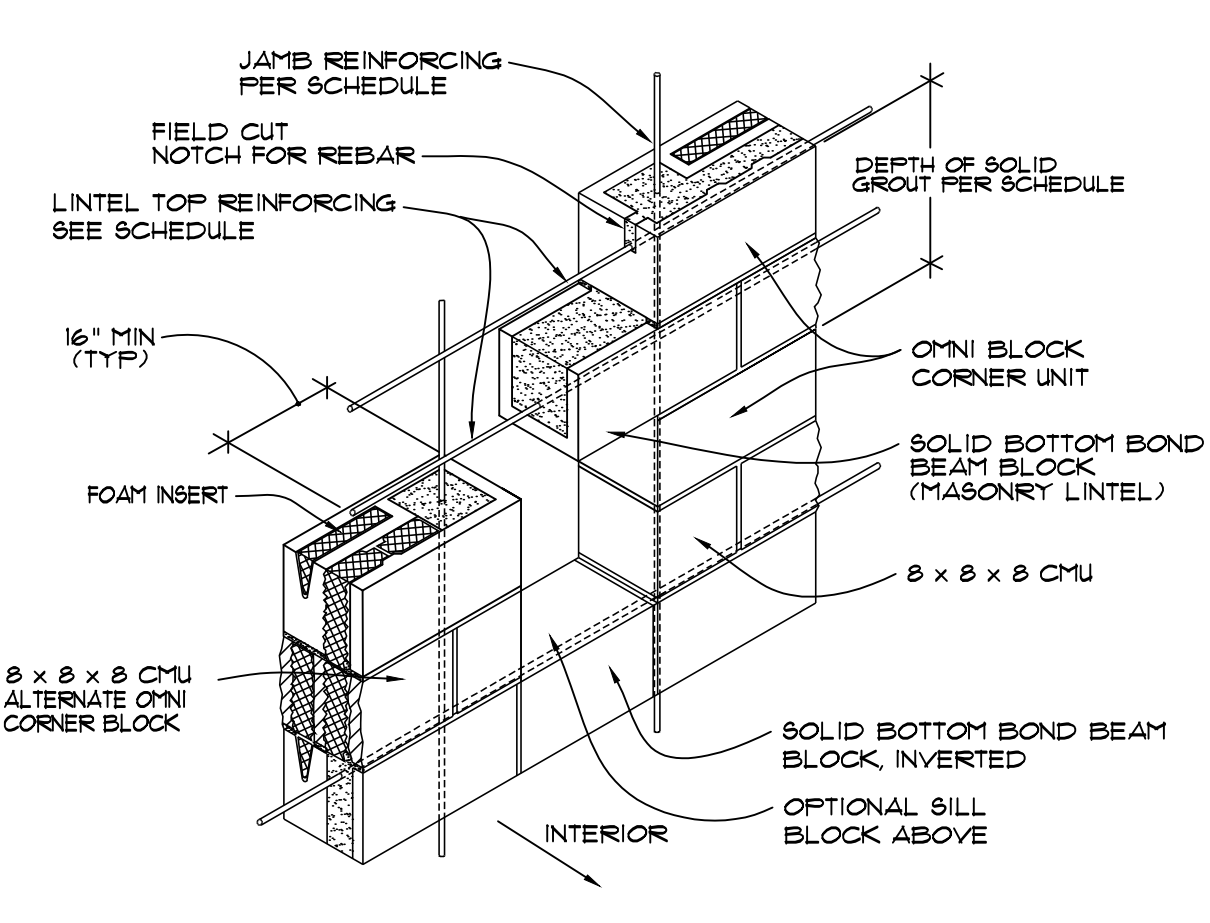
10 LOAD BEARING LEDGER WITH JOIST HANGER
SCALE: NTS



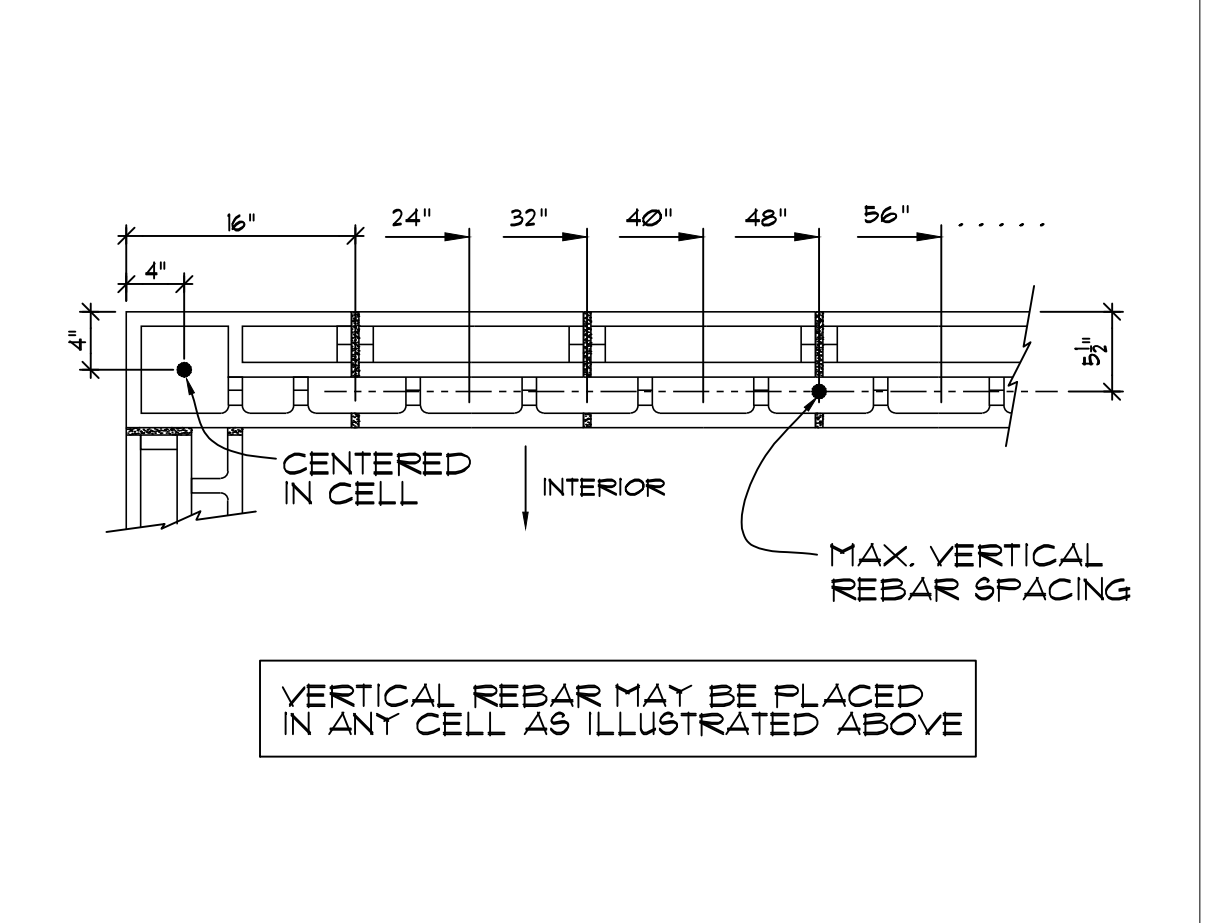
11 WINDOW / DOOR LINTEL DETAIL
SCALE: NTS



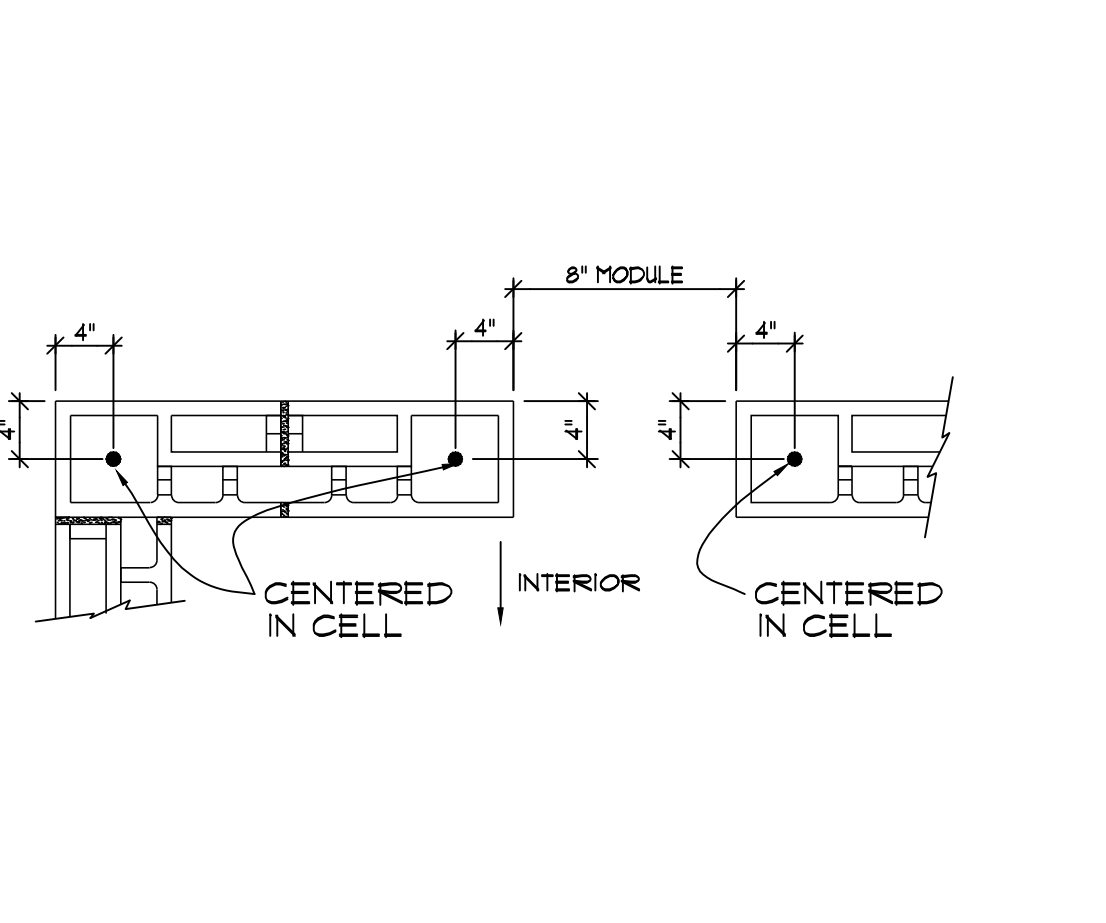
17 BLOCK DETAIL
8803 NTS



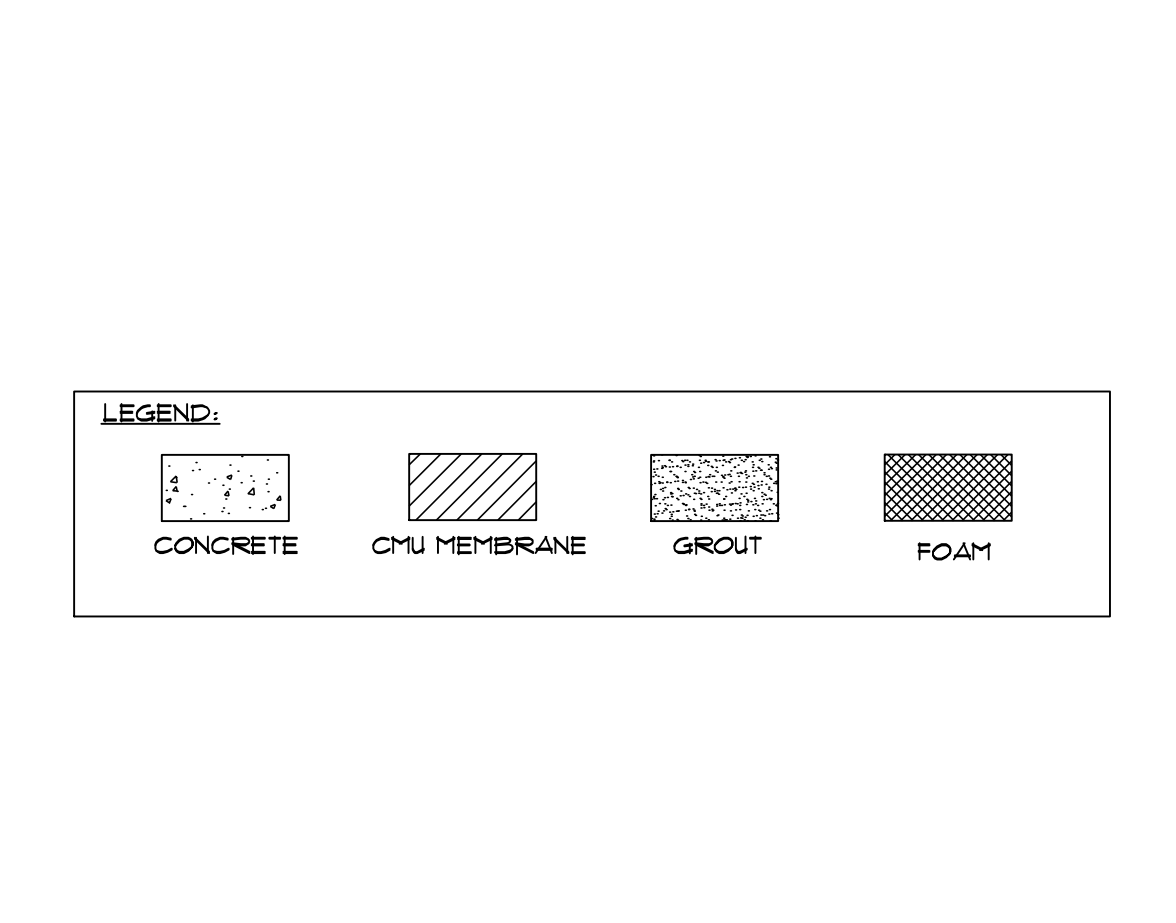
12 WINDOW/DOOR SILL AND LINTEL FOR EXPOSED CMU
SCALE: NTS



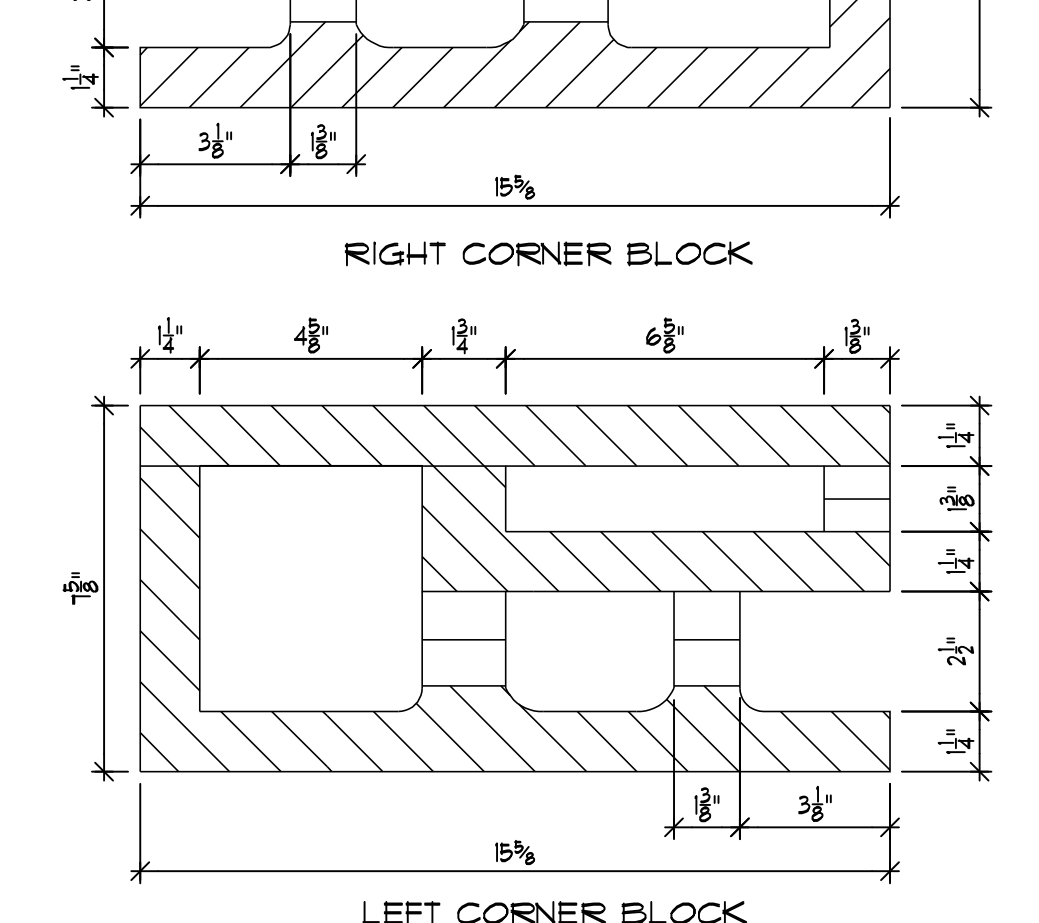
13 VERTICAL REBAR PLACEMENT - STANDARD WALL
SCALE: NTS



14 REBAR PLACEMENT AT WINDOW & DOOR OPENINGS
SCALE: NTS



15 LEGEND
SCALE: NTS



17 BLOCK DETAIL
8803 NTS

Omni Block
AN INSULATED CONCRETE BLOCK

WWW.OMNIBLOCK.COM
5940 S. Rainbow Blvd #1003, Las Vegas, NV 89118
Tel/Fax: (811) 711-OMNI (6664)
info@omniblock.com

OMNI BLOCK - 8"
STANDARD 8"X8"X16"
DESIGN DETAILS

REVISIONS:

NO.	DATE	BY:
△ 6/15/01	V B1	TAD
△ 7/10/09	V B2	JR
△ 9/25/13	V B3	JR

BY: JR
CHECKED BY: DRM
DATE: 9/25/13
FILE: S-803-PLT

SHEET
58.3