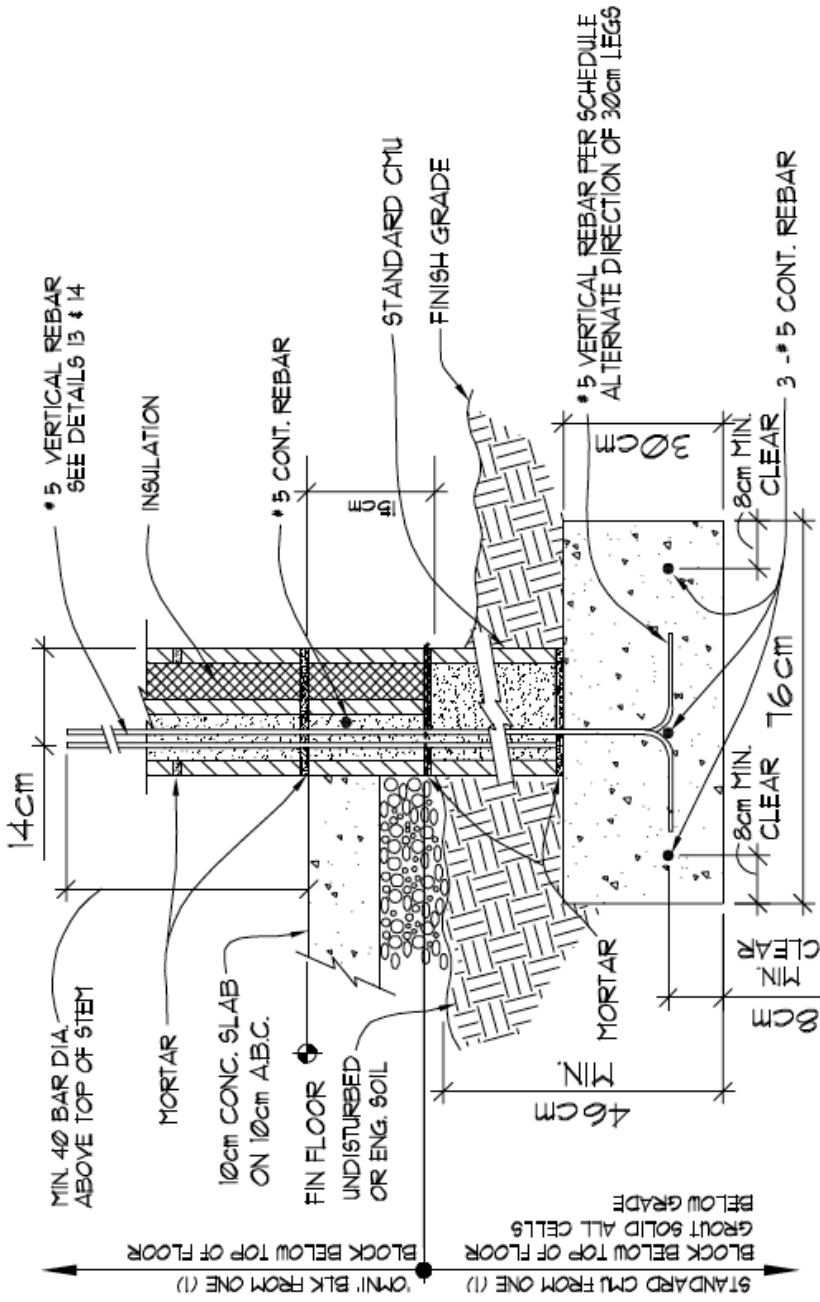


INTERIOR

EXTERIOR



FOOTINGS: ALL BEARING FOOTINGS SHALL BEAR 46cm (MIN) BELOW TOP OF UNDISTURBED SOIL or TOP OF ENGINEER-CERTIFIED COMPACTED SOIL

EXTERIOR WALL FOOTING - CMU STEM

SCALE: NTS

1



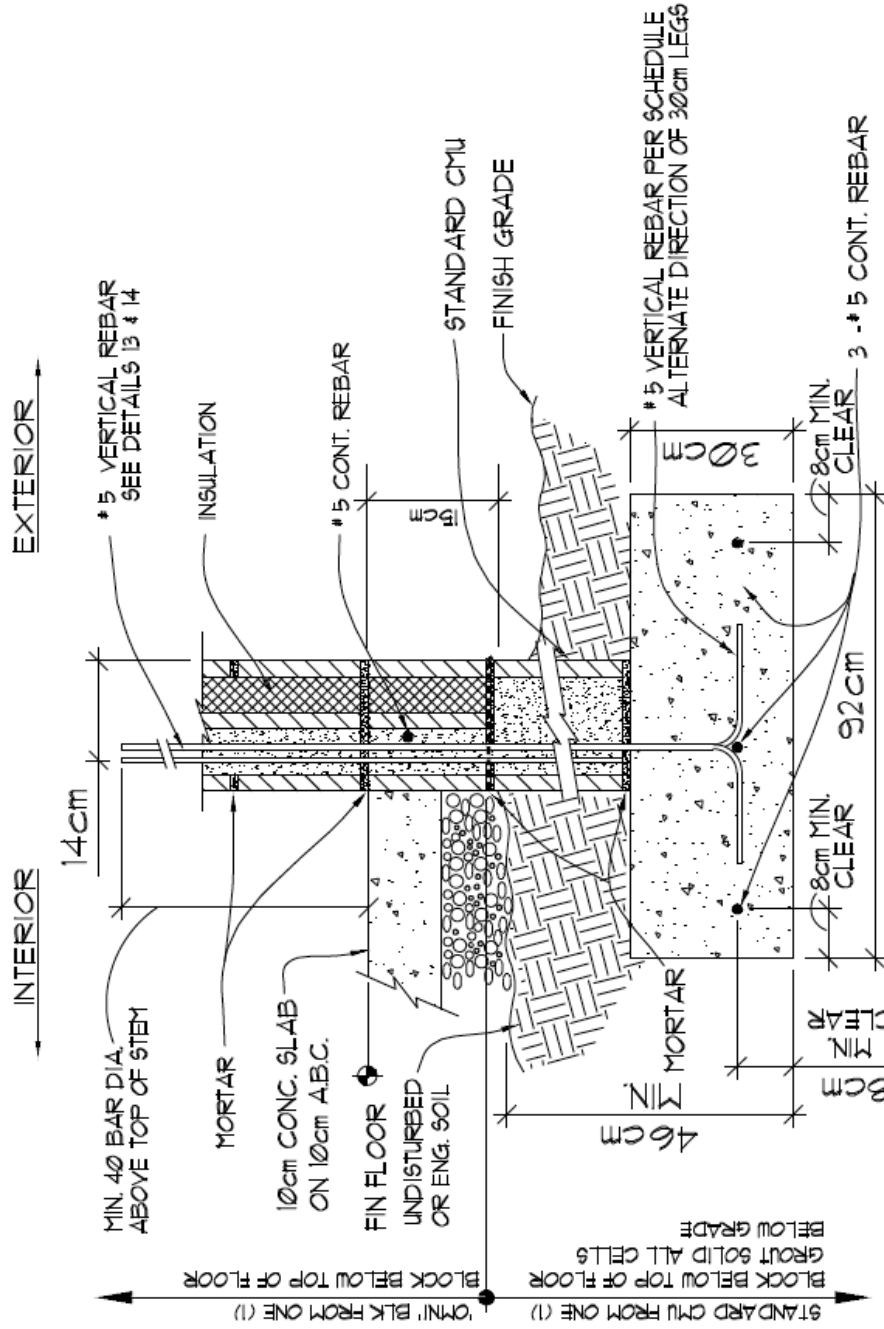
EXPIRES 9/30/2017



MOH 250
DETAIL 1
DESIGN DETAILS

PAGE: 51

DATE: 11/08/2016
REVISION 02/22/17:



EXPIRES 9/30/2017

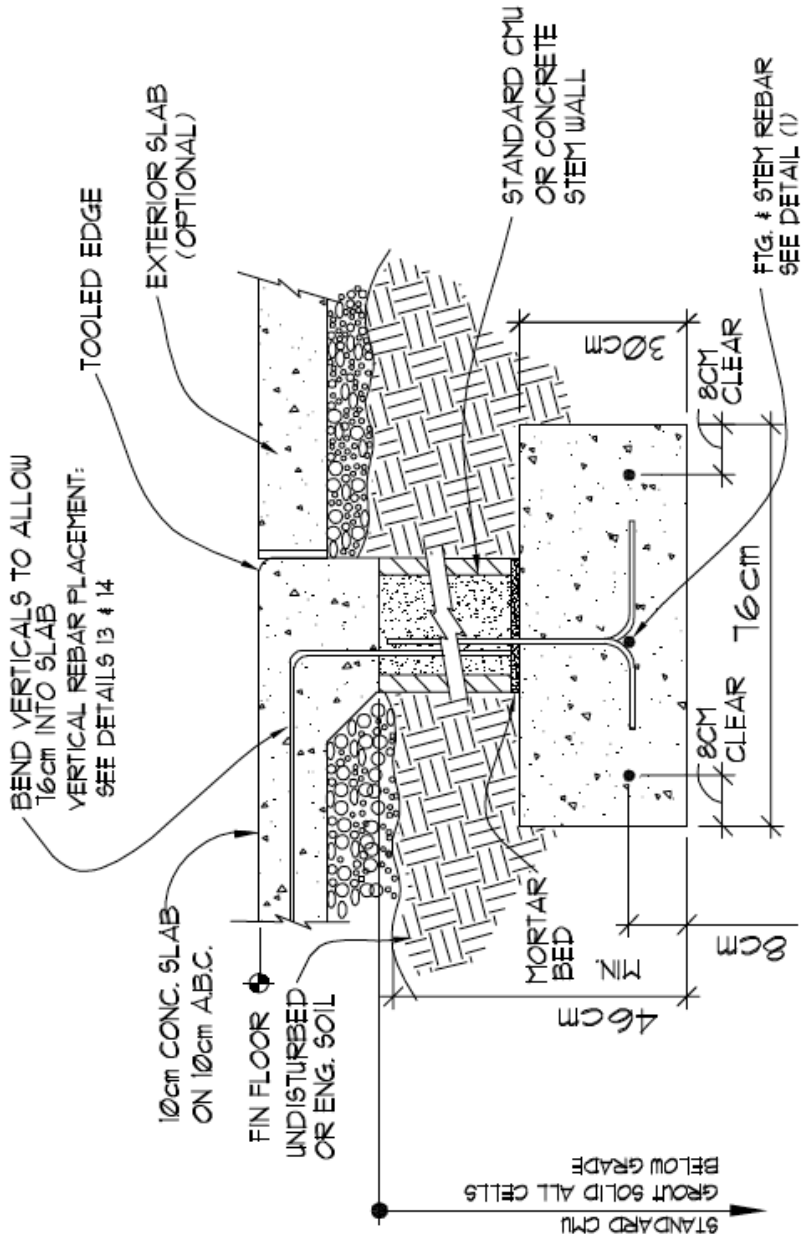


1B EXTERIOR WALL FOOTING - CMU STEM SCALE: NTS

MOH 250
DETAIL 1B
DESIGN DETAILS

PAGE: 93

DATE: 11/08/2016
REVISION 02/22/17:



FOOTINGS: ALL BEARING FOOTINGS SHALL BEAR ϕ 46cm (MIN) BELOW TOP OF UNDISTURBED SOIL or TOP OF ENGINEER-CERTIFIED COMPACTED SOIL

2 DEPRESSED STEM @ DOOR OPENING

SCALE: NTS



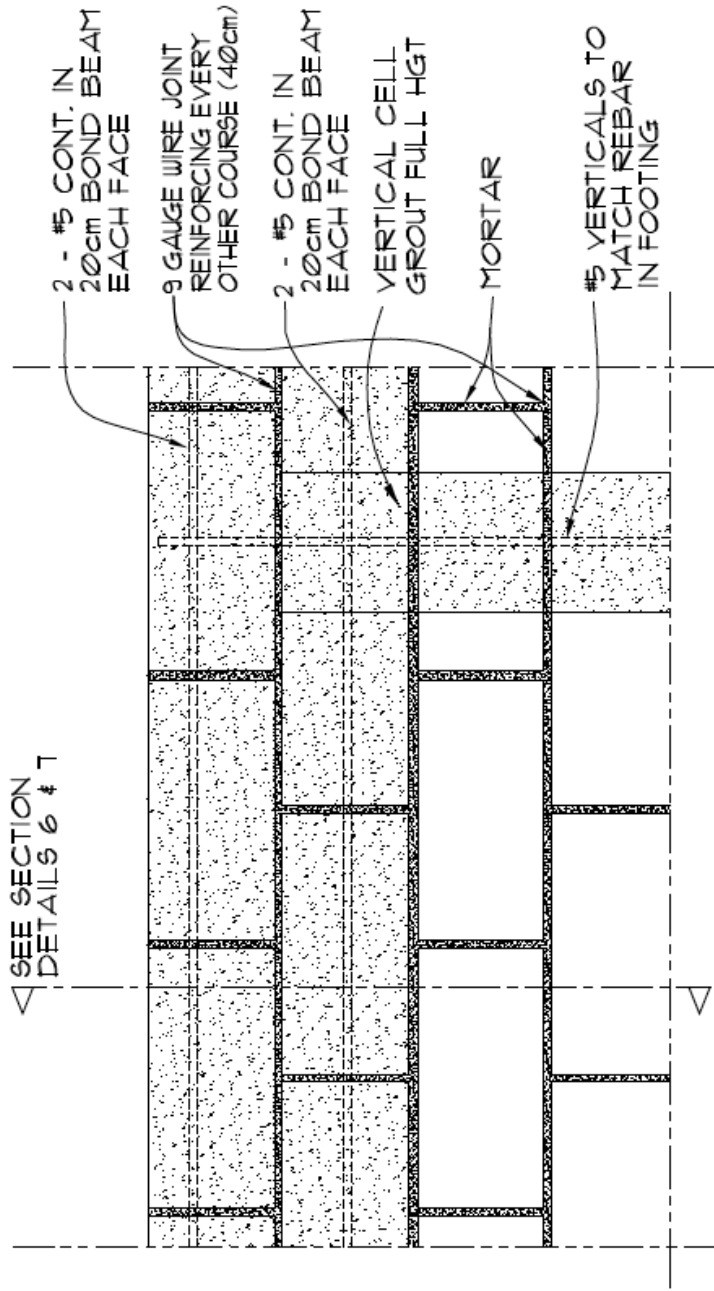
EXPIRES 9/30/2017



MOH 250
DETAIL 2
DESIGN DETAILS

PAGE: 54

DATE: 11/08/2016
REVISION 02/22/17:



3 TYPICAL TOP OF WALL CROSS- SECTION

SCALE: NTS



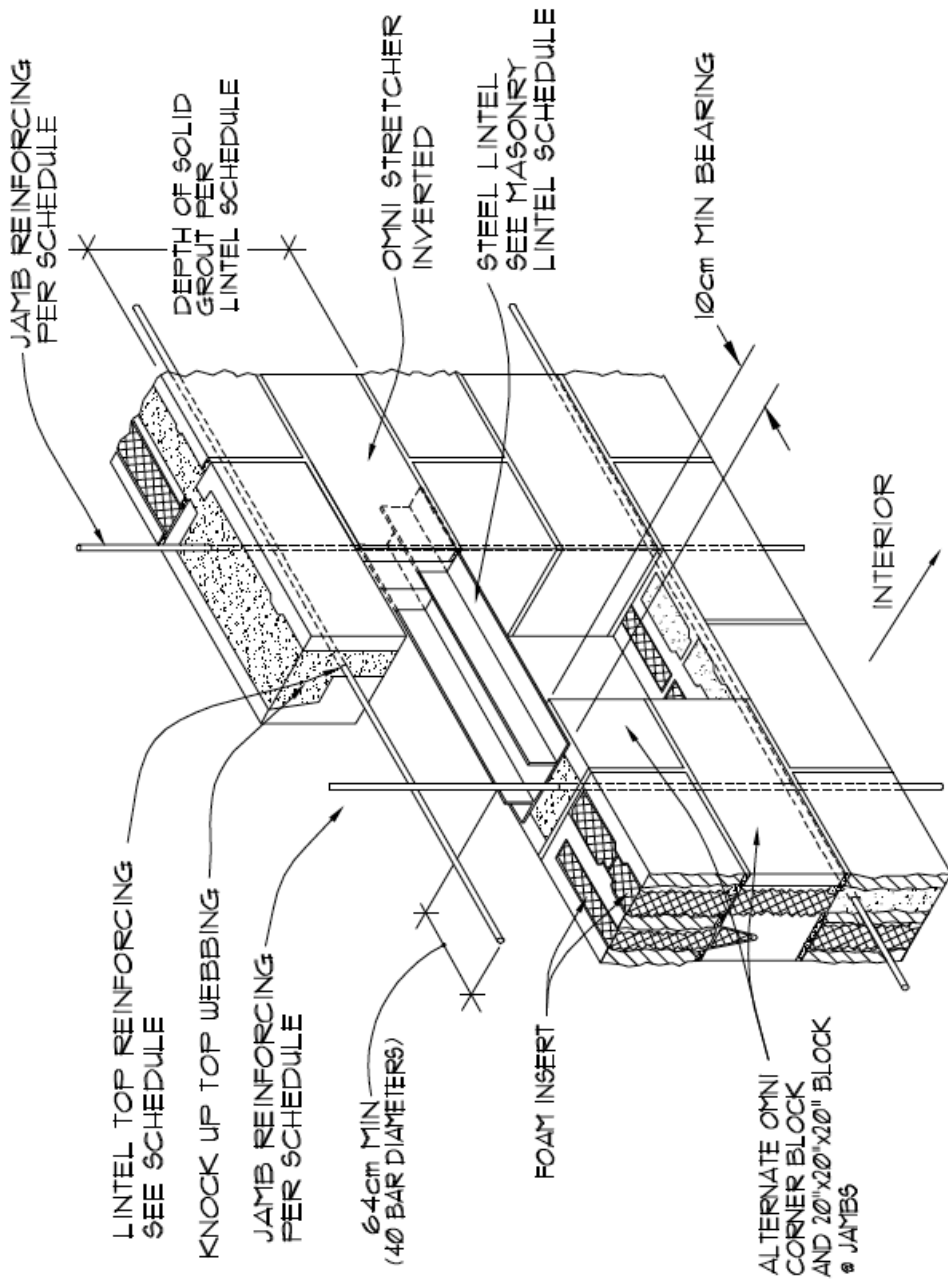
EXPIRES 9/30/2017



MOH 250
DETAIL 3
DESIGN DETAILS

PAGE: 55

DATE: 11/08/2016
REVISION 02/22/17:



4 WINDOW / DOOR LINTEL DETAIL

SCALE: NTS



EXPIRES 9/30/2017



MOH 250
DETAIL 4
DESIGN DETAILS

PAGE: 56

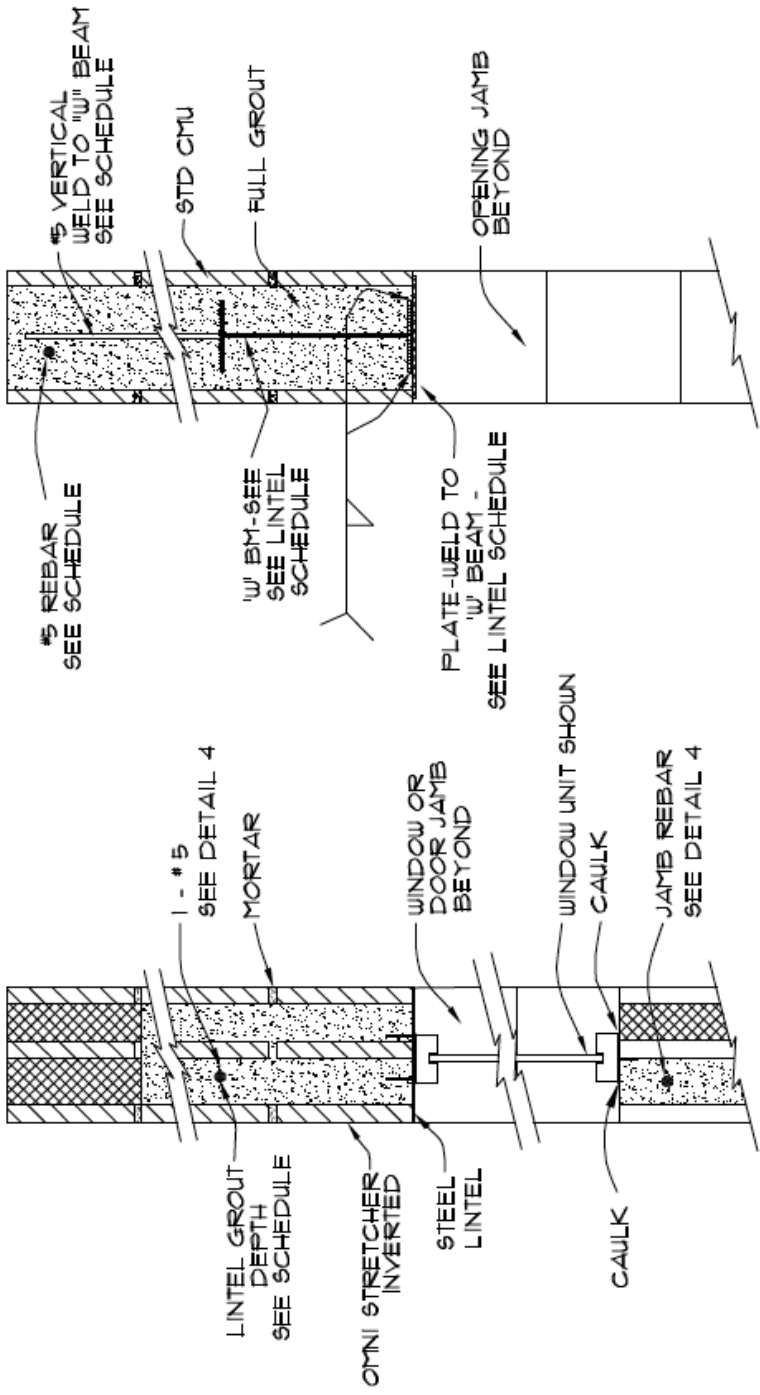
DATE: 11/08/2016
REVISION 02/22/17:

INTERIOR →

→ INTERIOR

EXTERIOR →

→ EXTERIOR



5 TYPICAL LINTEL
SCALE: NTS

5A 'W' BEAM (WHEN USED)
SCALE: NTS



EXPIRES 9/30/2017

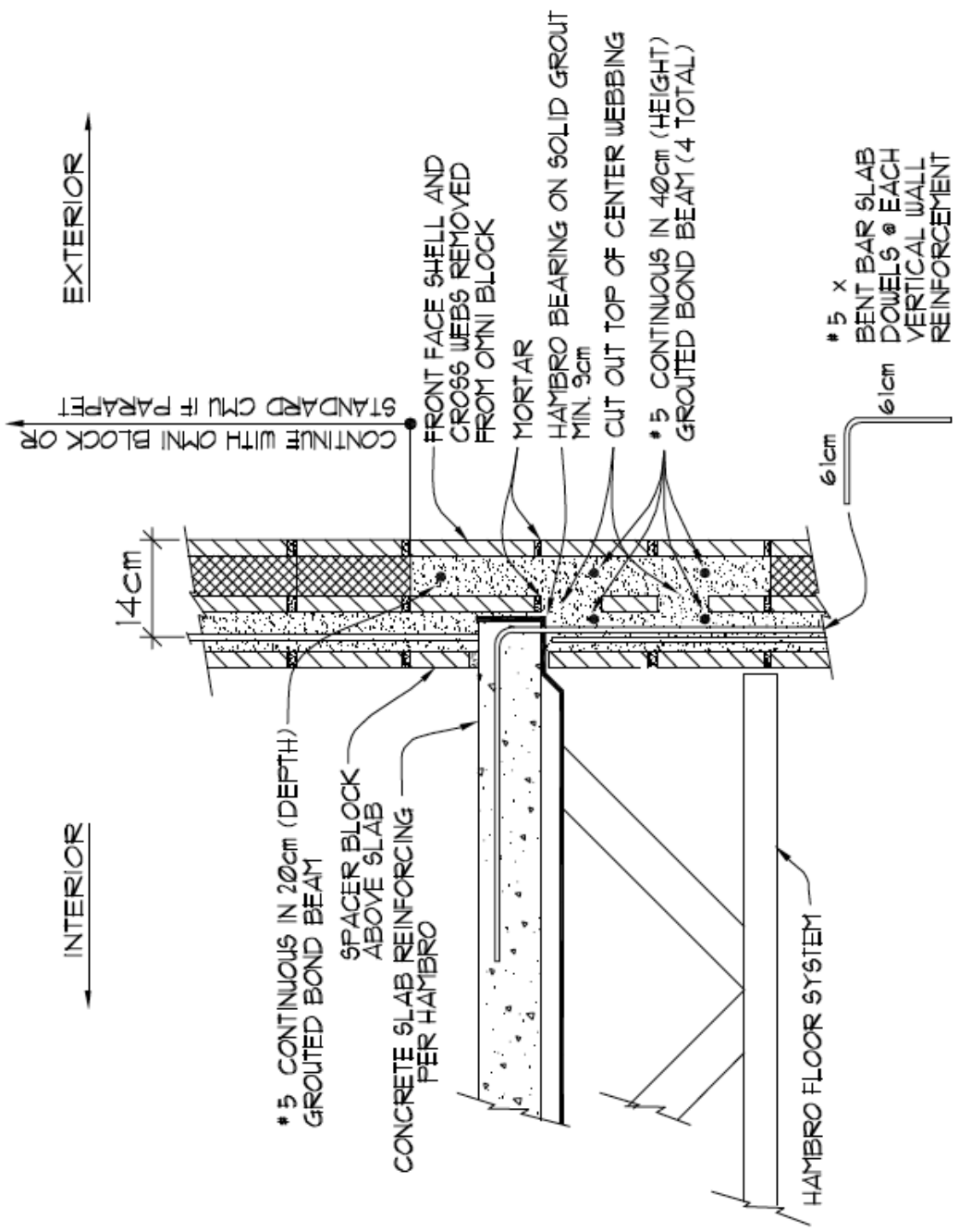


MOH 250
DETAIL 5 AND 5A
DESIGN DETAILS

PAGE: 57

DATE: 11/08/2016
REVISION 02/22/17:

FOR HAMBRO:
 ROOF LIVE LOAD = 20 PSF
 ROOF DEAD LOAD = 80 PSF
 FLOOR LIVE LOAD = 40 PSF
 FLOOR DEAD LOAD = 15 PSF
 FLOOR PARTITION LIVE LOAD = 221 PSF (FOR MASONRY PARTITION WALLS AT FLOORS)



6 LOAD BEARING HAMBRO JOIST
 SCALE: NTS



EXPIRES 9/30/2017

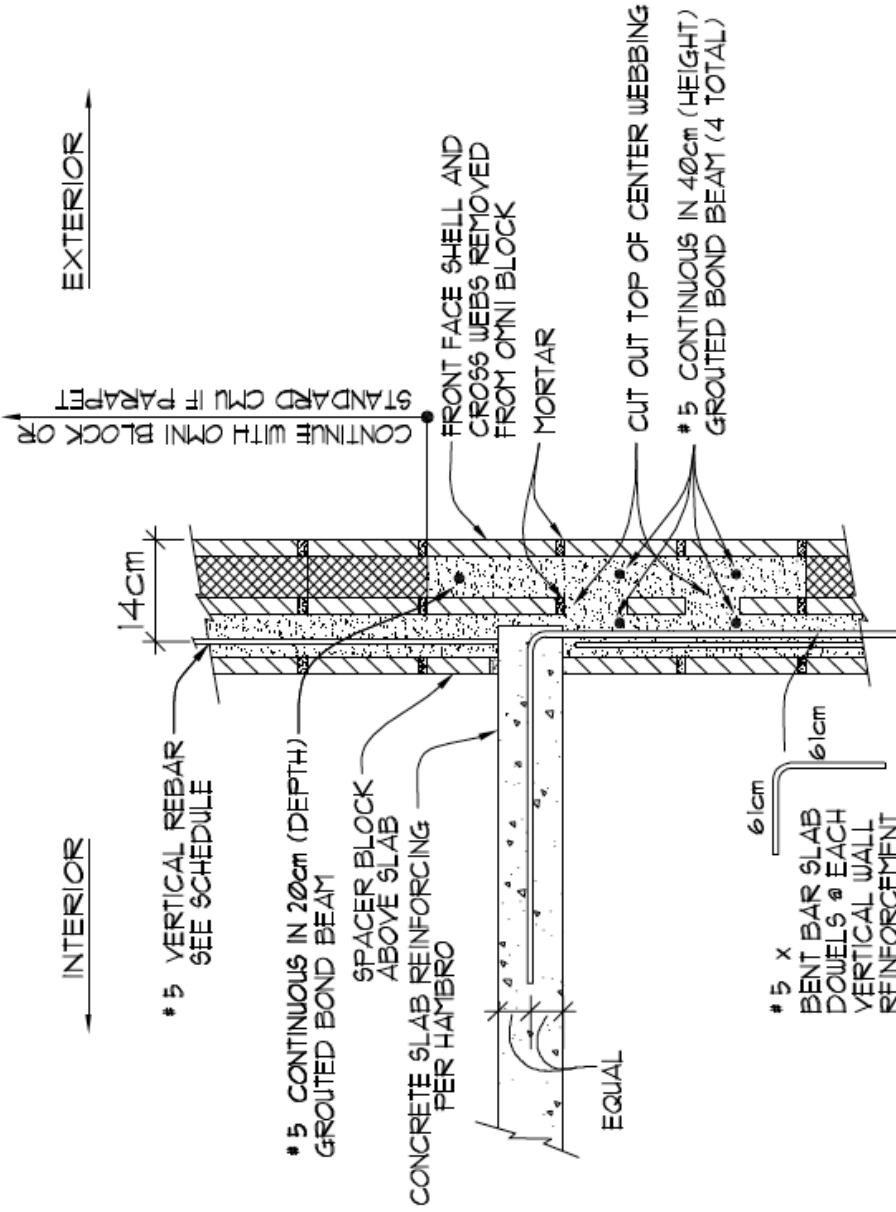


MOH 250
 DETAIL 6
 DESIGN DETAILS

DATE: 11/08/2016
 REVISION 02/22/17:
 PAGE: 58

INTERIOR

EXTERIOR



7 LOAD BEARING HAMBRO JOIST

SCALE: NT6



EXPIRES 9/30/2017



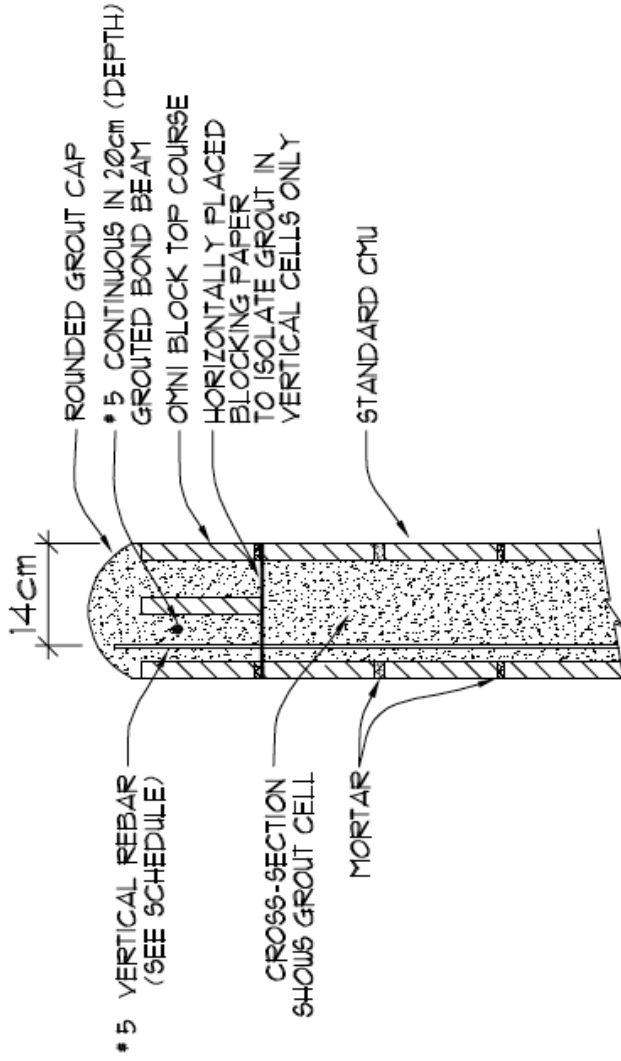
MOH 250
DETAIL 7
DESIGN DETAILS

PAGE: 99

DATE: 11/08/2016
REVISION 02/22/17:

← INTERIOR

EXTERIOR →



PARAPET

SCALE: NTS



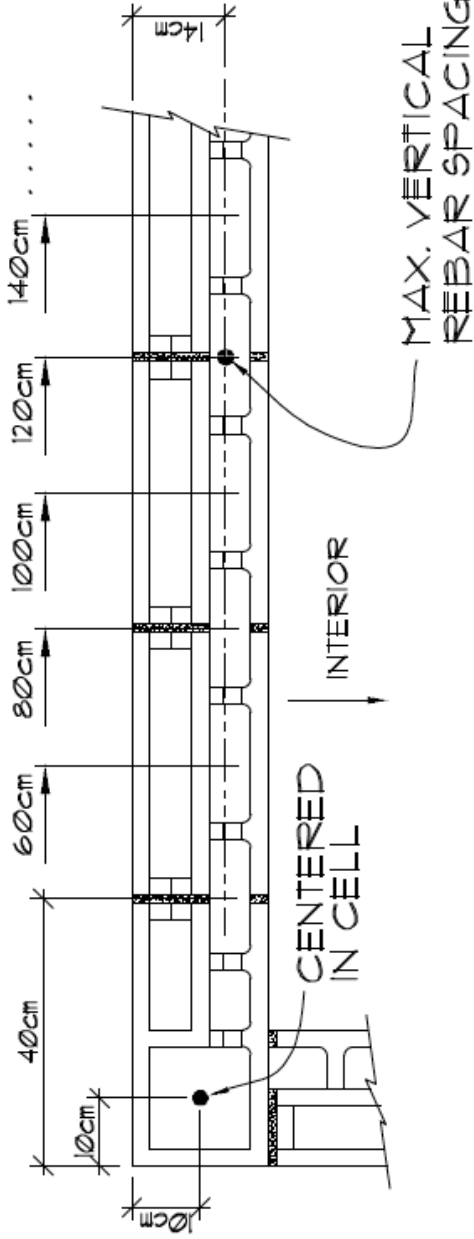
EXPIRES 9/30/2017

8



MOH 250
DETAIL 8
DESIGN DETAILS

DATE: 11/08/2016
REVISION 02/22/17:
PAGE: 910



VERTICAL REBAR MAY BE PLACED IN ANY CELL AS ILLUSTRATED ABOVE

13 VERTICAL REBAR PLACEMENT - STANDARD WALL SCALE: NTS



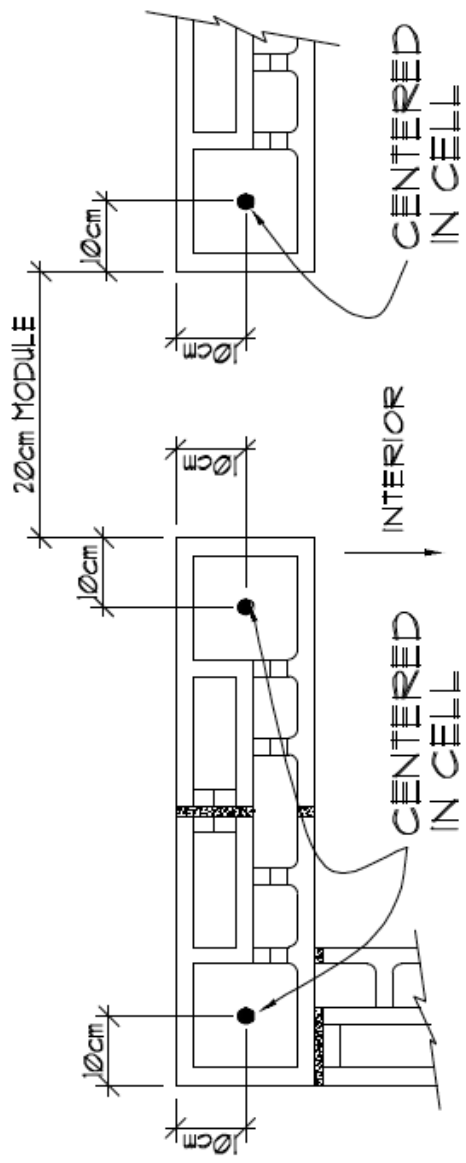
EXPIRES 9/30/2017



MOH 250
DETAIL 13
DESIGN DETAILS

PAGE: 511

DATE: 11/08/2016
REVISION 02/22/17:



14

REBAR PLACEMENT AT WINDOW & DOOR OPENINGS

SCALE: NTS



EXPIRES 9/30/2017



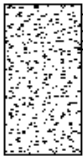



MOH 250
DETAIL 14
DESIGN DETAILS

PAGE: 512

DATE: 11/08/2016
REVISION 02/22/17:

LEGEND:

	CONCRETE
	CMU MEMBRANE
	GROUT
	FOAM

15

LEGEND

SCALE: NTS



MOH 250
DETAIL 15
DESIGN DETAILS

PAGE: 513

DATE: 11/08/2016
REVISION 02/22/17:

JOB SPECIFICATIONS

GRADE OF STEEL: 40 GROUT: 2000 psi MORTAR: T

ALL ABOVE ITEMS ARE "OR EQUAL"



EXPIRES 9/30/2017



EXTERIOR WALL FOOTING REINFORCEMENT SCHEDULE				
FOOTING WIDTH	FOOTING HEIGHT	CONTINUOUS HORIZONTAL STEEL		
		QUANTITY	SIZE	CLEARANCE
76cm ± 32CM	30cm	3	#5	8cm
SEE DETAILS 1 & 1B				

FOOTING WIDTH	FOOTING HEIGHT	CONTINUOUS VERTICAL STEEL		
		QUANTITY	SIZE	SPACING
76cm	30cm	1	#5	120cm MAX
SEE DETAILS 13 & 14				

INTERIOR WALL FOOTING REINFORCEMENT SCHEDULE				
FOOTING WIDTH	HGT SLAB TOP TO FOOTING BOTTOM	CONTINUOUS HORIZONTAL STEEL		
		QUANTITY	SIZE	CLEARANCE
60cm	61cm	2	#5	8cm
SEE DETAIL 1A				
FOOTING WIDTH	FOOTING HEIGHT	CONTINUOUS VERTICAL STEEL		
		QUANTITY	SIZE	SPACING
60cm	61cm	1	#5	120cm MAX
SEE DETAILS 13 & 14				

TOP OF STEM REINFORCEMENT SCHEDULE				
WALL HEIGHT	GROUT HEIGHT	CONTINUOUS HORIZONTAL STEEL		
		QUANTITY	SIZE	LOCATION
60cm	20cm	1	#5	INSIDE FACE
SEE DETAIL 1 OR 1A				

TOP OF WALL REINFORCEMENT SCHEDULE				
WALL HEIGHT	GROUT DEPTH	CONTINUOUS HORIZONTAL STEEL		
		QUANTITY	SIZE	LOCATION
3400cm	40cm	4	#5	EACH FACE
SEE DETAIL 6 & 7				

TOP OF PARAPET REINFORCEMENT SCHEDULE				
WALL HEIGHT	GROUT DEPTH	CONTINUOUS HORIZONTAL STEEL		
		QUANTITY	SIZE	LOCATION
1000cm	20cm	1	#5	INSIDE FACE
SEE DETAIL 8				

OMNI BLOCK MASONRY LINTEL SCHEDULE		
MARK	STEEL LINTEL KSI A36	MINIMUM SOLID GROUT DEPTH
ML1	OL 20-40 W/ #5	40cm
ML2	OL 20-60 W/ #5	60cm
ML3	OL 20-80 W/ #5	80cm
ML4	OL 20-100 W/ #5	100cm
ML5	OL 20-120 W/ #5	120cm

16

OMNI BLOCK ENGINEERING TABLES

SCALE: NTS

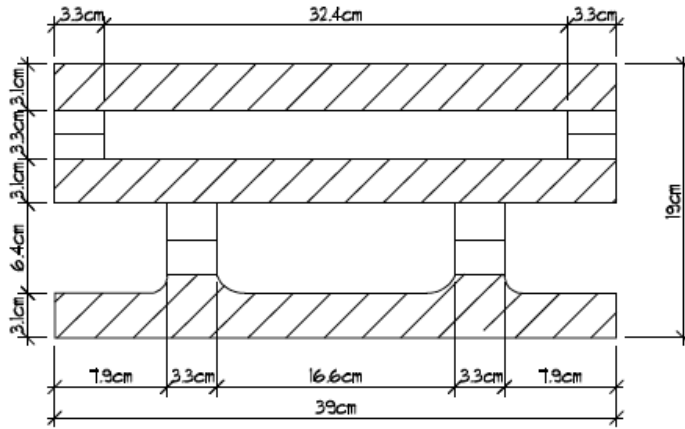
MOH 250
DETAIL 16
DESIGN DETAILS

PAGE: 514

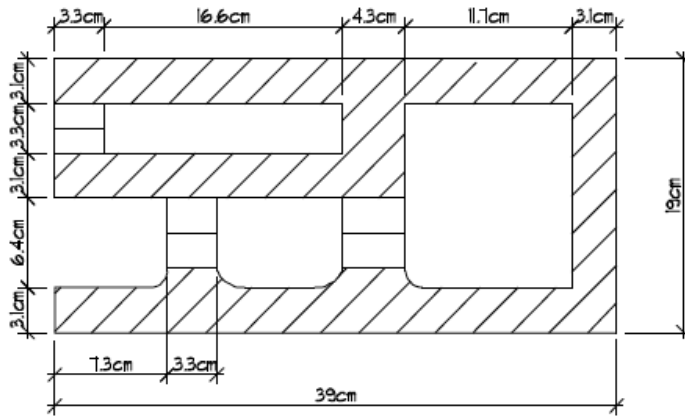
DATE: 11/08/2016
REVISION 02/22/17:



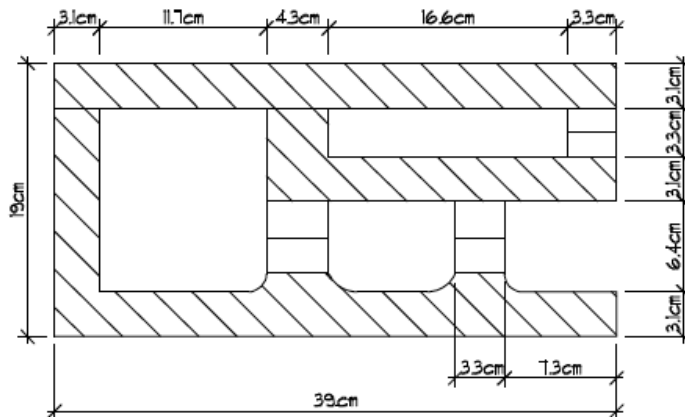
EXPIRES 9/30/2017



STRETCHER



RIGHT CORNER BLOCK



LEFT CORNER BLOCK

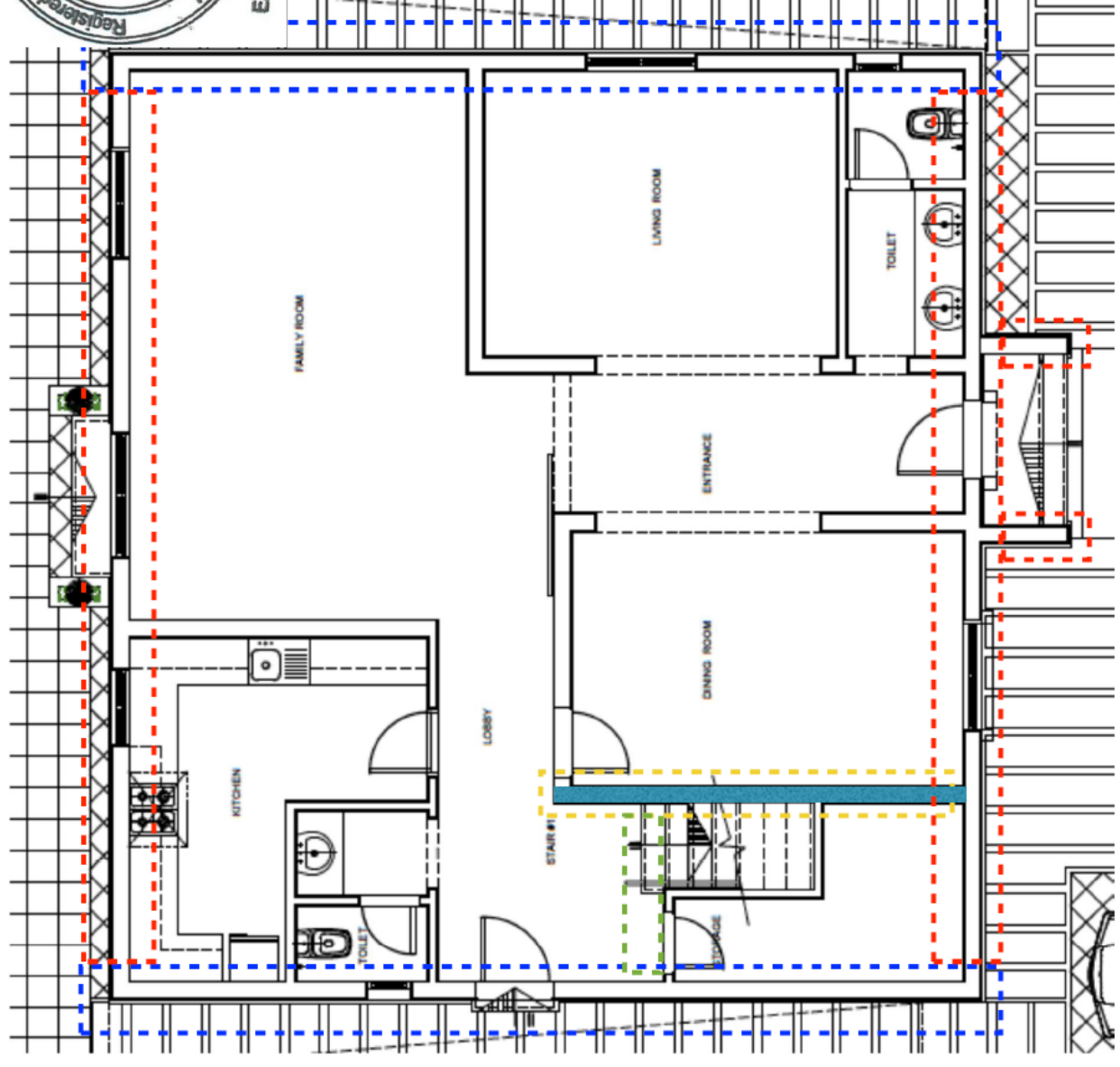
MOH 250
 DETAIL 17
 DESIGN DETAILS

PAGE: 515

DATE: 11/08/2016
 REVISION 02/22/17:



EXPIRES 9/30/2017



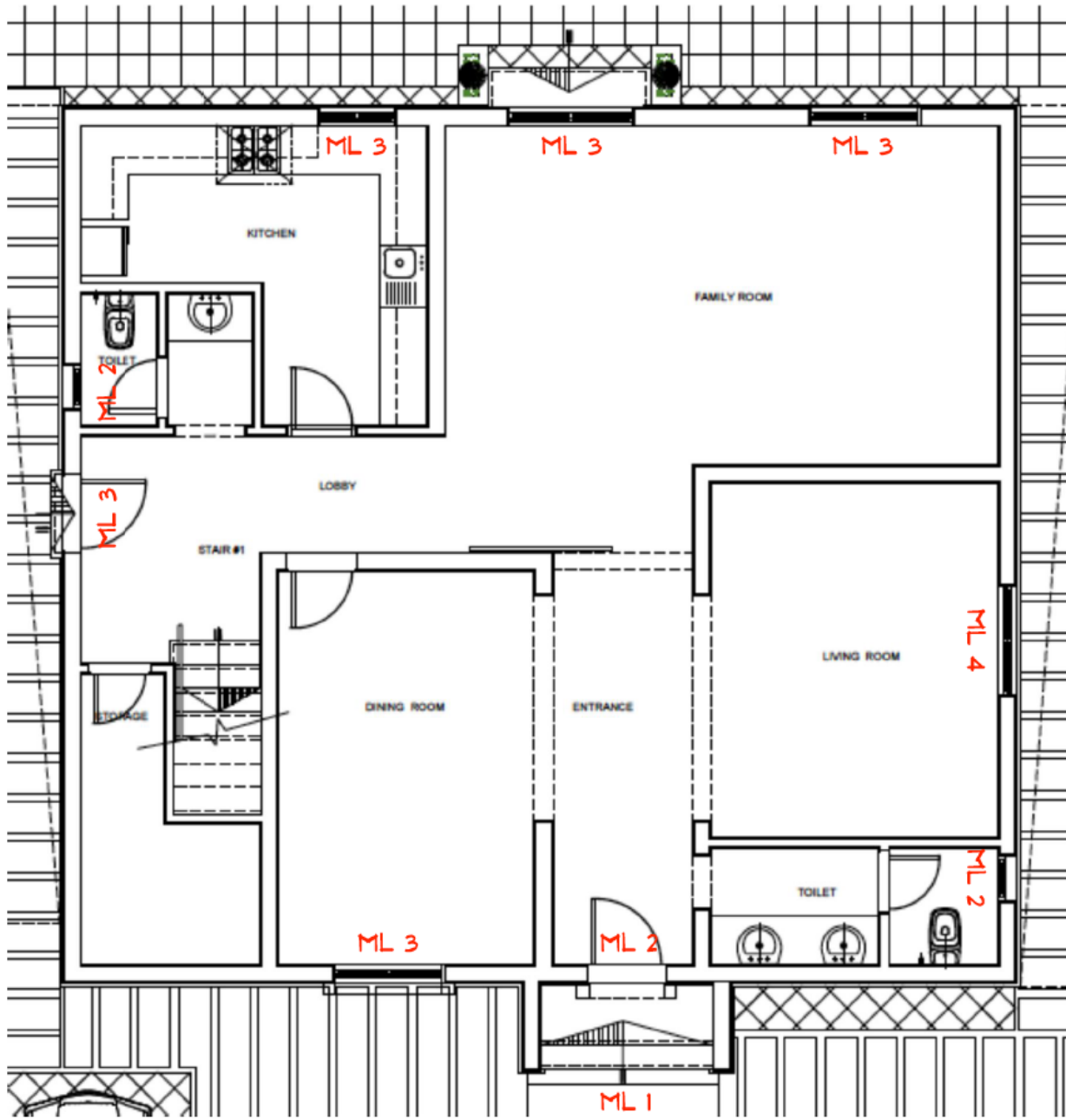
- STRUCTURAL NOTES:**
- 1) ALL LOAD BEARING WALLS ARE 20CM OMNI BLOCK OR EQUAL WITH #5 VERTICAL EVERY 120CM O/C.
 - 2) AT EACH FLOOR LEVEL 4 #5 PER DETAILS 6 & 7.
 - 3) STANDARD LADDER ROD @ 40CM O/C.
 - 4) AT TOP-OF-PARAPET #5 CONTINUOUS.
 - 5) AT ALL WALL ENDS, CORNERS, INTERSECTIONS, AND EACH SIDE OF ALL OPENINGS PROVIDE #5 VERTICAL.
 - 6) SEE STAIRCASE CROSS-SECTION DETAILS.
 - 7) CODE DOES NOT REQUIRE SLAB REINFORCEMENT - USE #3 @ 18" O/C BOTH DIRECTIONS OR W1.4 X 1.4 20CM WELDED WIRE FABRIC GRID.

- DETAIL 1
- DETAIL 1A
- DETAIL 1B
- DETAIL G - STAIRCASE
- LOAD BEARING WALL



MOH 250
 FOUNDATION PLAN
 ENGINEERING SPECIFICATION

DATE: 11/08/2016
 REVISION 02/22/17:
 PAGE: 5/16



- STRUCTURAL NOTES:**
- 1) ALL LOAD BEARING WALLS ARE 20CM OMNI BLOCK OR EQUAL WITH #5 VERTICAL EVERY 120CM O/C.
 - 2) AT EACH FLOOR LEVEL 4 #5 PER DETAILS 6 & 7.
 - 3) STANDARD LADDER ROD @ 40CM O/C.
 - 4) AT TOP-OF-PARAPET #5 CONTINUOUS.
 - 5) AT ALL WALL ENDS, CORNERS, INTERSECTIONS, AND EACH SIDE OF ALL OPENINGS PROVIDE #5 VERTICAL.
 - 6) SEE STAIRCASE CROSS-SECTION DETAILS.
 - 7) CODE DOES NOT REQUIRE SLAB REINFORCEMENT - USE #3 @ 18" O/C BOTH DIRECTIONS OR W1.4 X 1.4 20CM WELDED WIRE FABRIC GRID.



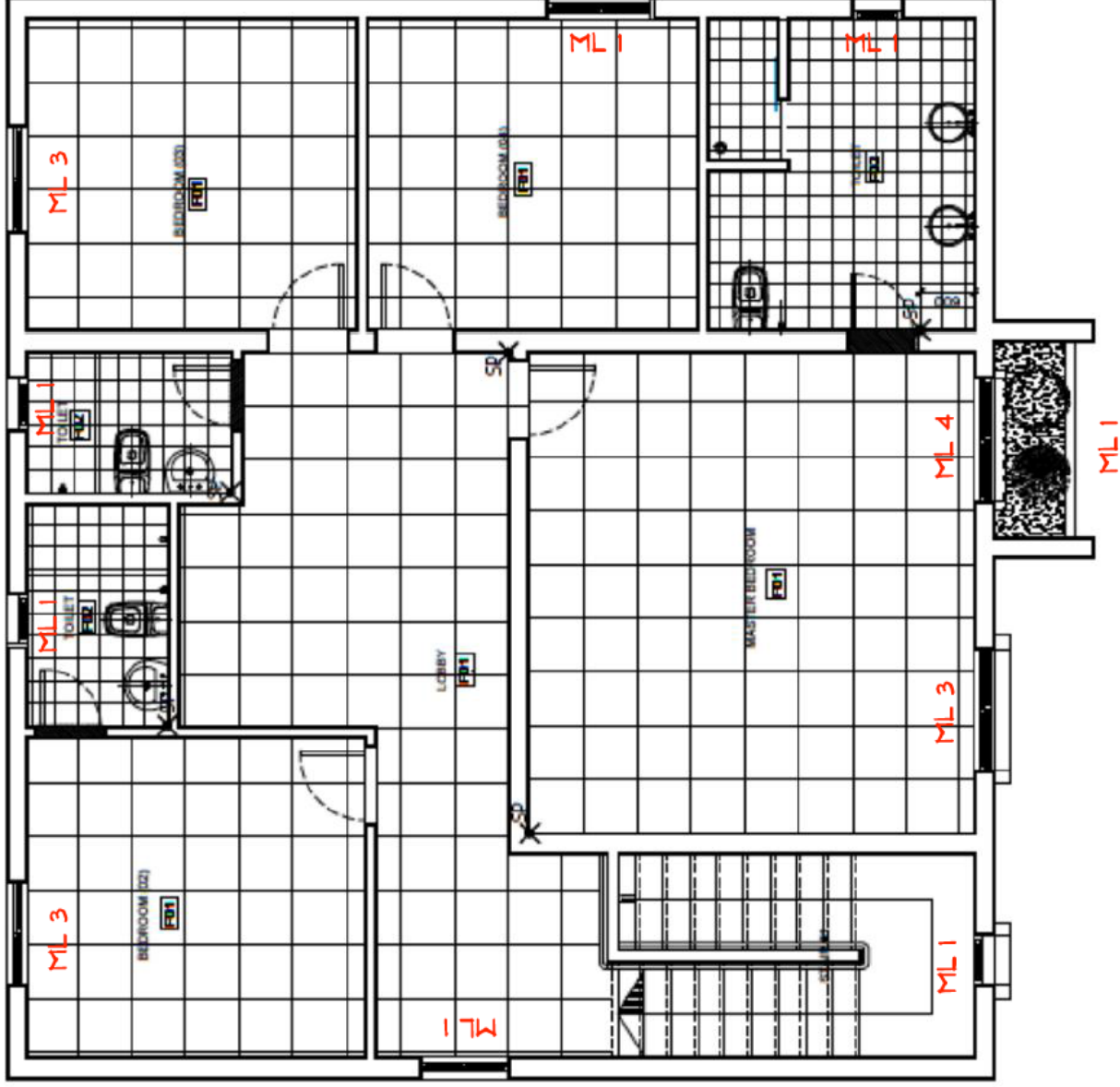
EXPIRES 9/30/2017

STRUCTURAL NOTES:

- 1) ALL LOAD BEARING WALLS ARE 20CM OMNI BLOCK OR EQUAL WITH #5 VERTICAL EVERY 120CM O/C.
- 2) AT EACH FLOOR LEVEL 4 #5 PER DETAILS 6 & 7.
- 3) STANDARD LADDER ROD @ 40CM O/C.
- 4) AT TOP-OF-PARAPET #5 CONTINUOUS.
- 5) AT ALL WALL ENDS, CORNERS, INTERSECTIONS, AND EACH SIDE OF ALL OPENINGS PROVIDE #5 VERTICAL.
- 6) SEE STAIRCASE CROSS-SECTION DETAILS.
- 7) CODE DOES NOT REQUIRE SLAB REINFORCEMENT - USE #3 @ 18" O/C BOTH DIRECTIONS OR W1.4 X 1.4 20CM WELDED WIRE FABRIC GRID.



EXPIRES 9/30/2017



MOH 250

FIRST FLOOR LINTEL SCHEDULE
 ENG SPECIFICATION - DETAIL 16



DATE: 11/08/2016
 REVISION 02/22/17:

PAGE: 518

