



GROUT CELLS PER CUBIC YARD

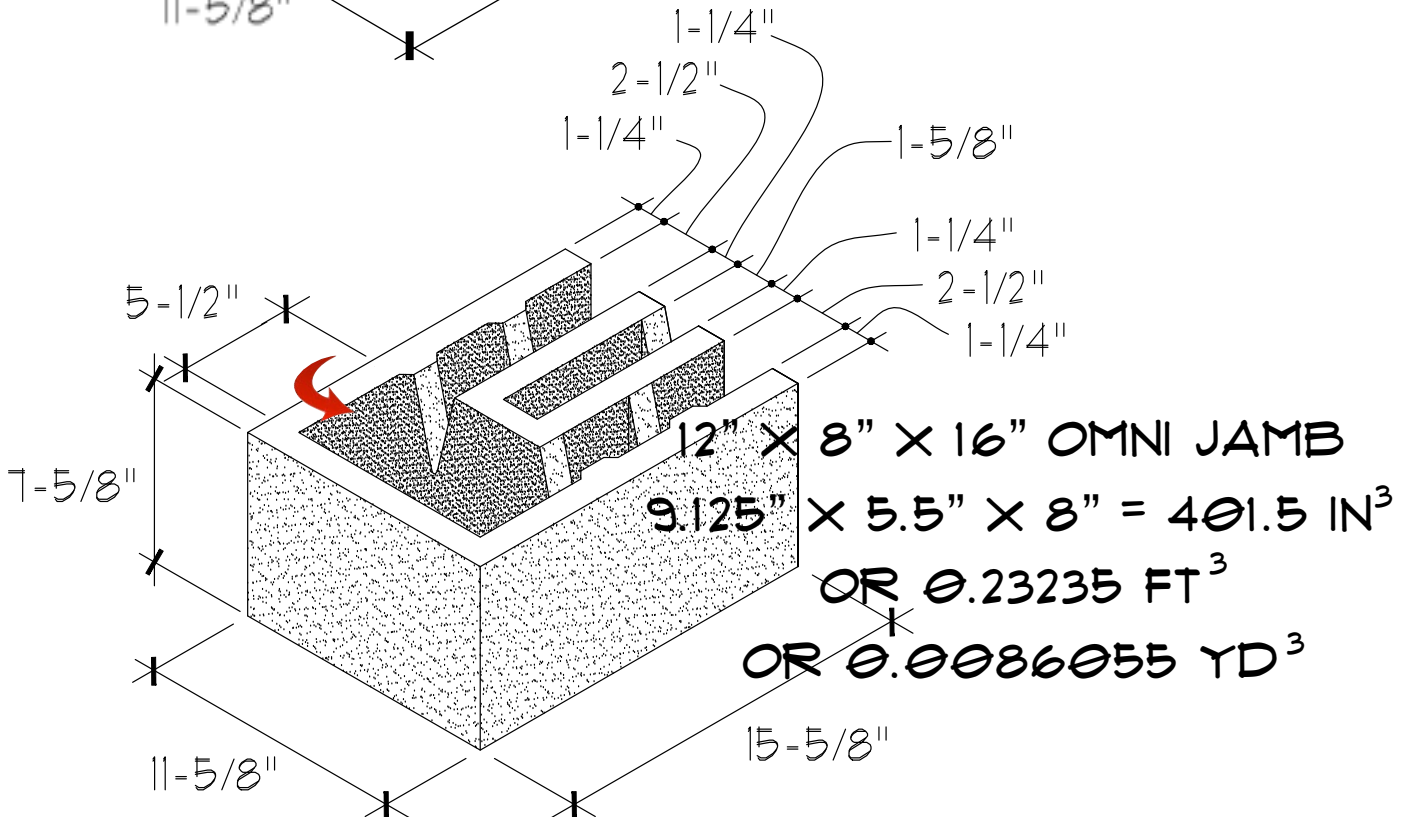
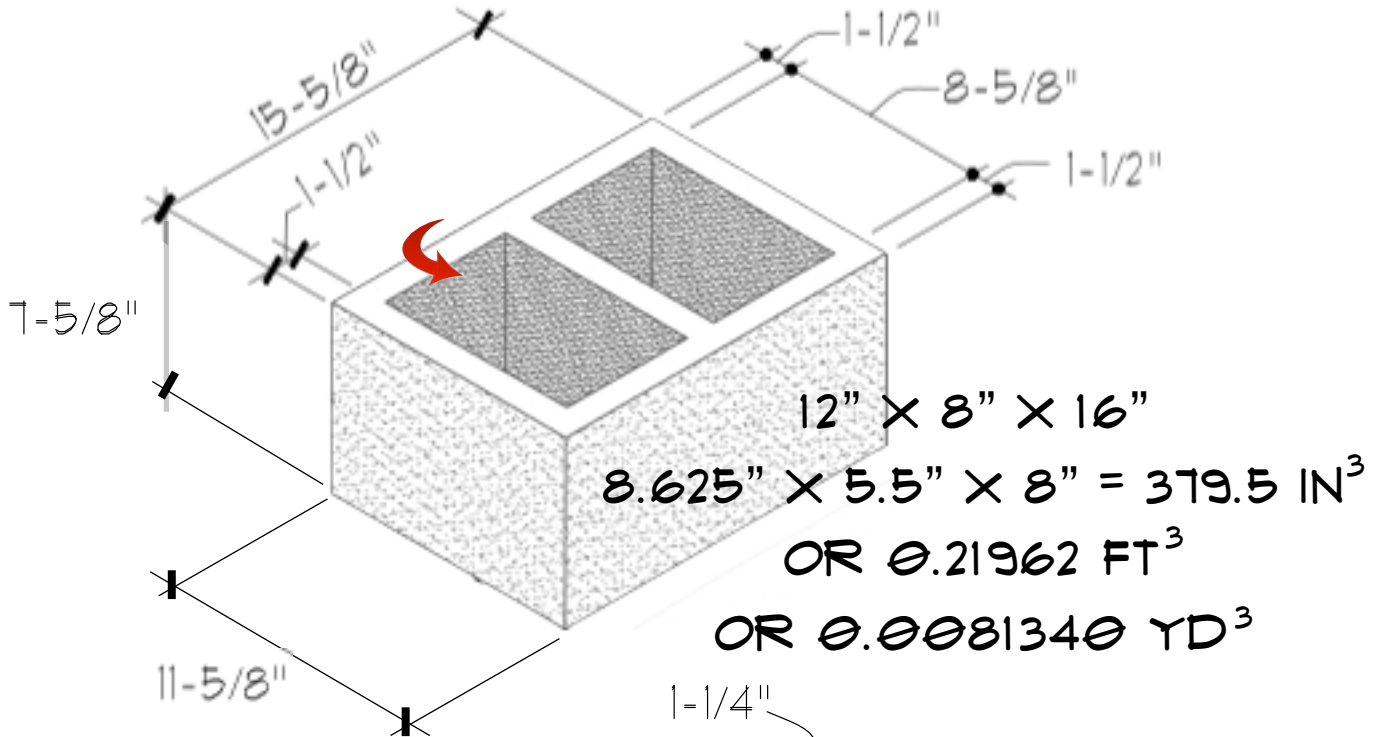
TABLE 1 - 12" BLOCK - INDIVIDUAL CELLS		
ITEM	IN ³	CELLS PER CUBIC YARD
12" X 8" X 16" STANDARD CMU (ONE CELL)	379.50	122
12" X 8" X 16" OMNI JAMB (END CELL)	401.50	116
12" X 8" X 16" OMNI STRETCHER (ONE CELL)	127.50	365

TABLE 2 - 8" BLOCK - INDIVIDUAL CELLS		
ITEM	IN ³	CELLS PER CUBIC YARD
8" X 8" X 16" STANDARD CMU (ONE CELL)	208	224
8" X 8" X 16" OMNI CORNER-JAMB (END CELL)	282	165
8" X 8" X 16" OMNI STRETCHER (ONE CELL)	127.50	365

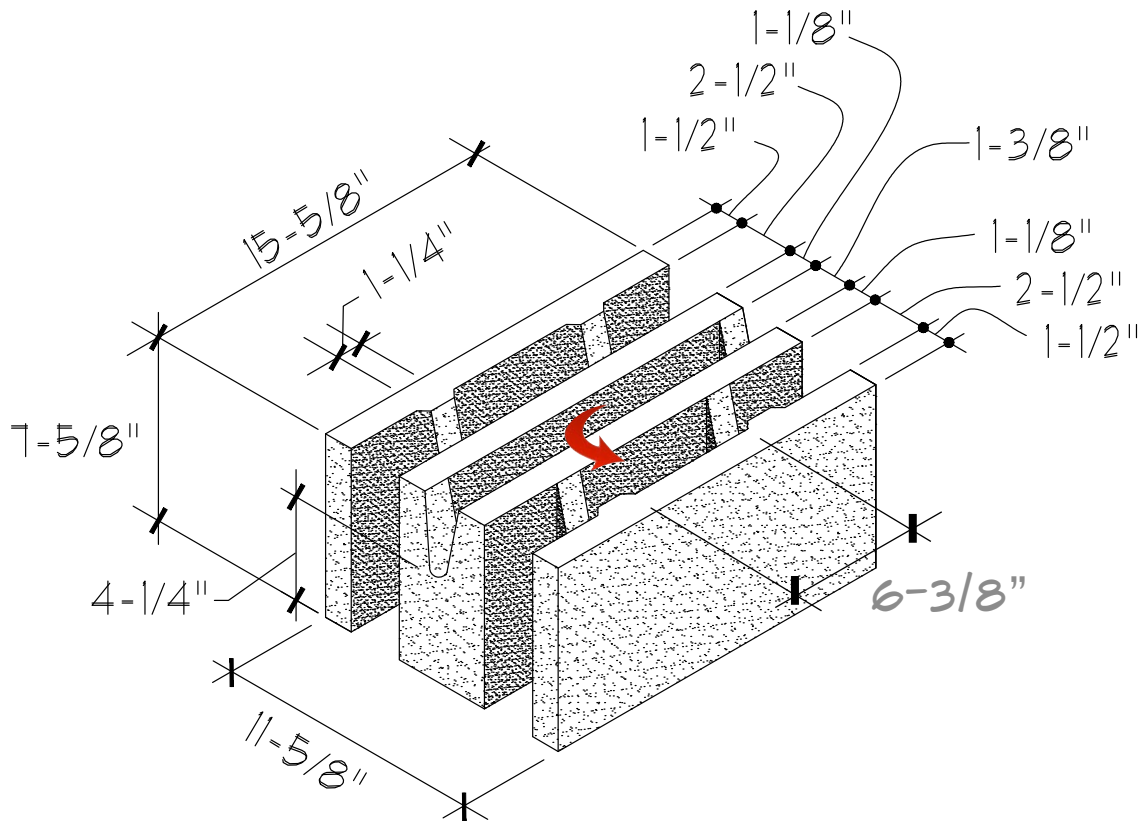
NOTE: ASSUMING STANDARD CMU WALL THICKNESSES ARE 1.5".
 OMNI BLOCK WALL THICKNESSES ARE 1.25"

THERE ARE 46656 CUBIC INCHES IN A CUBIC YARD

GROUT CELL CALCULATIONS



GROUT CELL CALCULATIONS



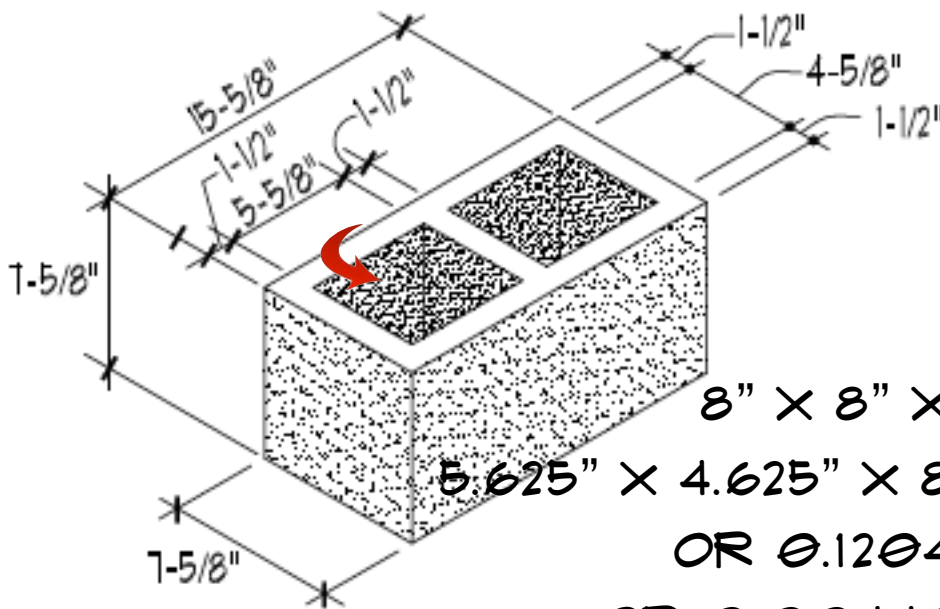
12" X 8" X 16" OMNI STRETCHER

$$6.375" \times 2.5" \times 8" = 127.5 \text{ IN}^3$$

$$\text{OR } 0.073785 \text{ FT}^3$$

$$\text{OR } 0.0027328 \text{ YD}^3$$

GROUT CELL CALCULATIONS

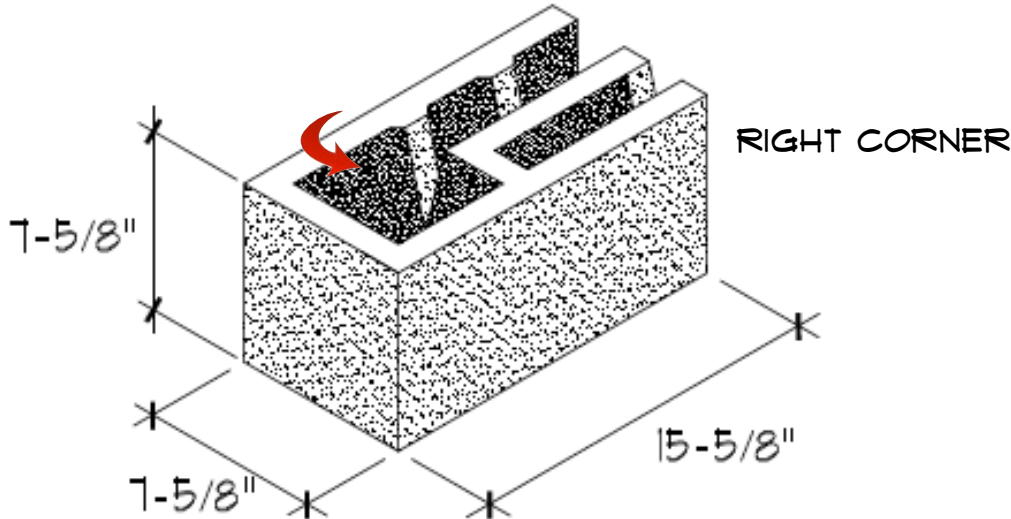


8" X 8" X 16"

$$5.625" \times 4.625" \times 8" = 208.125 \text{ IN}^3$$

$$\text{OR } 0.12045 \text{ FT}^3$$

$$\text{OR } 0.0044609 \text{ YD}^3$$



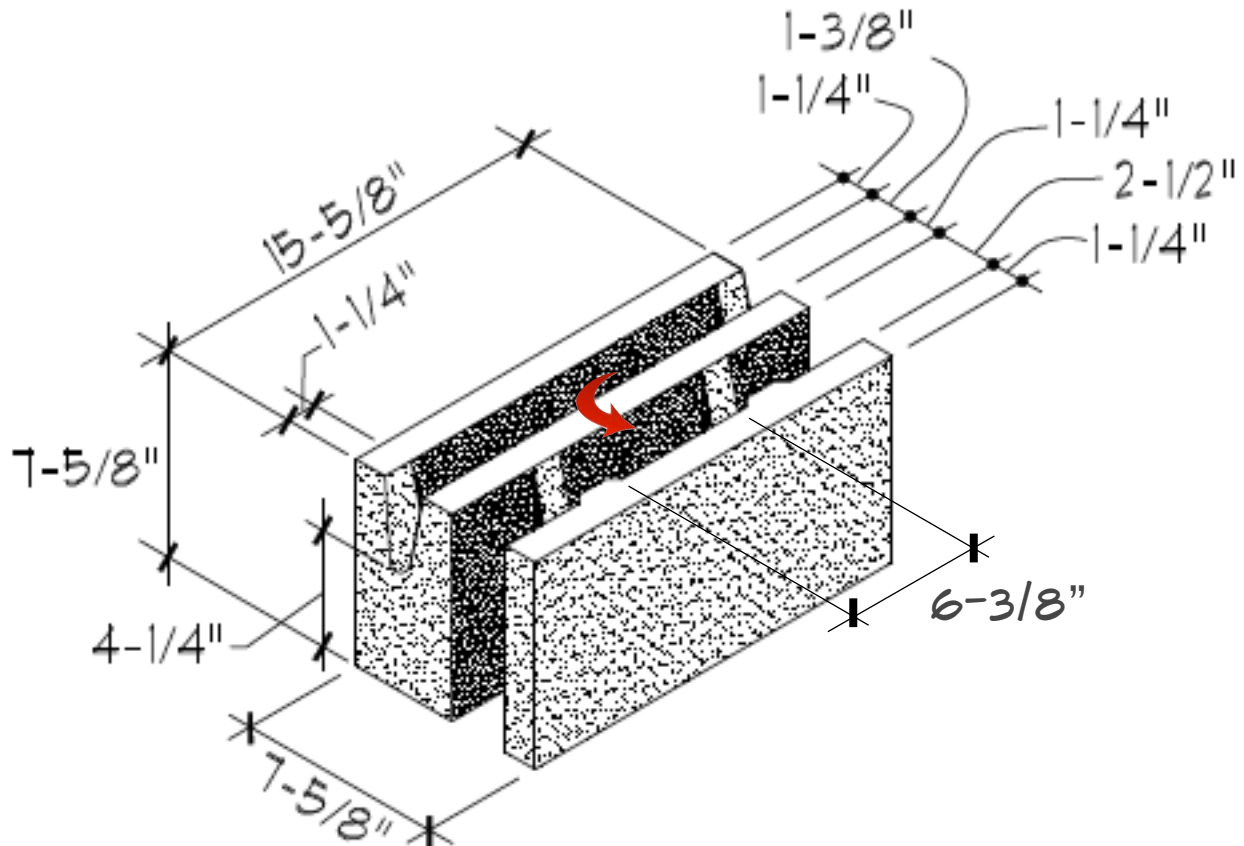
8" X 8" X 16" OMNI CORNER / JAMB

$$6.875" \times 5.125" \times 8" = 281.875 \text{ IN}^3$$

$$\text{OR } 0.16313 \text{ FT}^3$$

$$\text{OR } 0.0060417 \text{ YD}^3$$

GROUT CELL CALCULATIONS

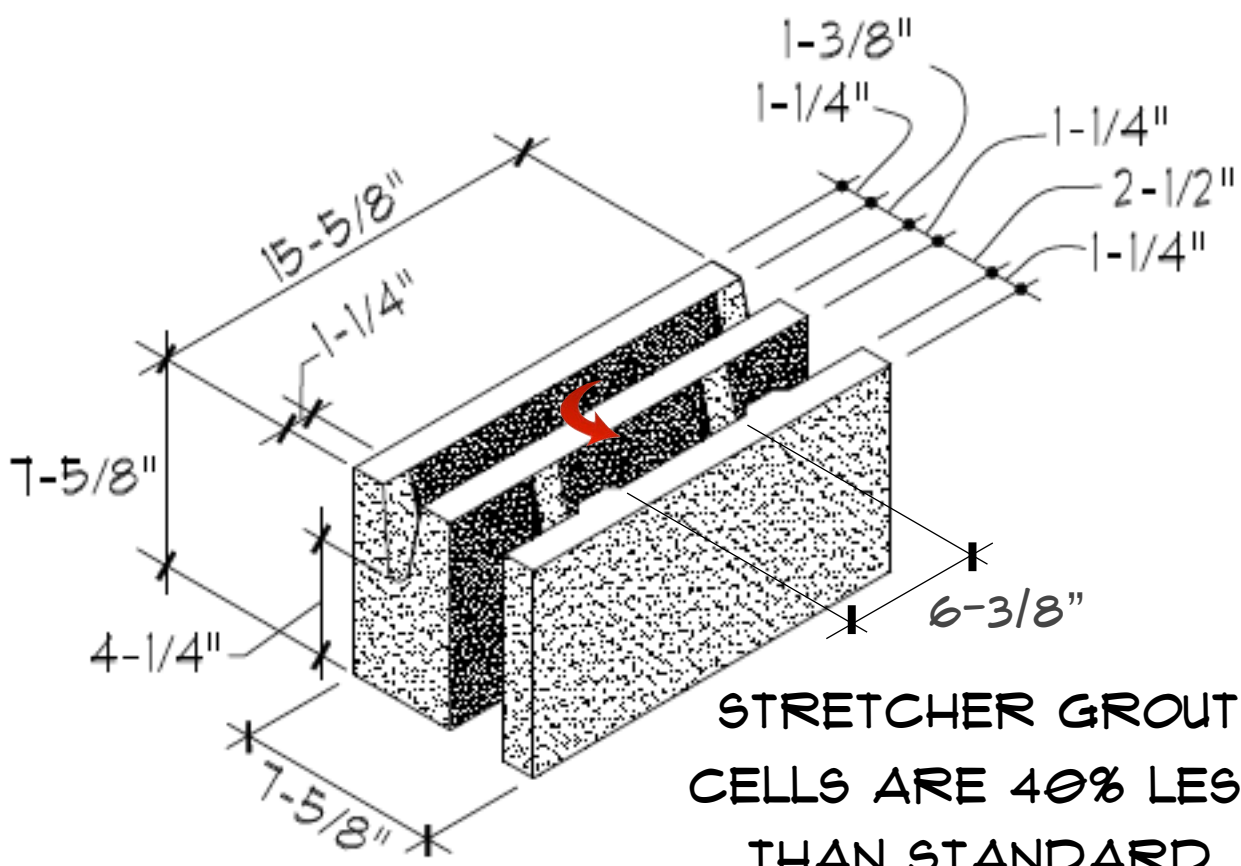


8" X 8" X 16" OMNI STRETCHER

$$6.375" \times 2.5" \times 8" = 127.5 \text{ IN}^3$$

$$\text{OR } 0.013785 \text{ FT}^3$$

$$\text{OR } 0.0027328 \text{ YD}^3$$



**STRETCHER GROUT
 CELLS ARE 40% LESS
 THAN STANDARD
 GROUT CELLS**

